


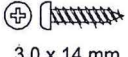
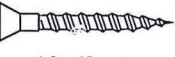
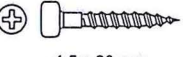
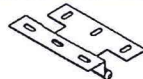


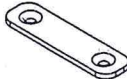
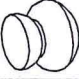
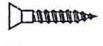
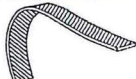
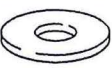


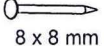
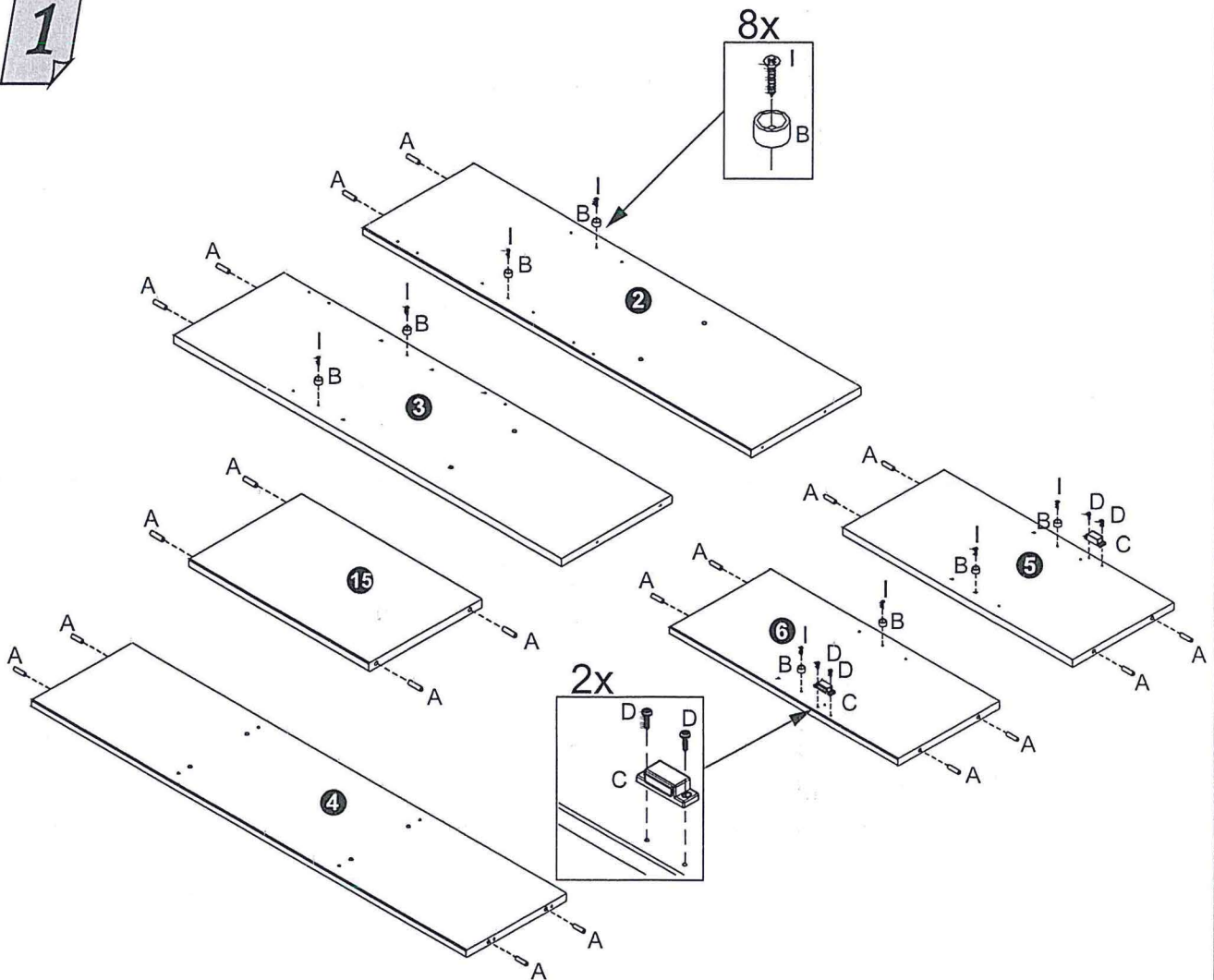



A		8,0 x 25 mm	20x
B			08x
C			02x
D		3,0 x 14 mm	40x
E		4,0 x 40 mm	16x
F		4,5 x 28 mm	10x


G			04x
H			08x
I		3,5 x 20 mm	20x
J			04x
K			02x
L		3,5 x 16 mm	05x

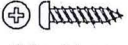
M			01x
N			02x
O		3,5 x 25 mm	02x
P			12x
Z		8 x 8 mm	40x


1




I		3,5 x 20 mm	08x
---	---	-------------	-----

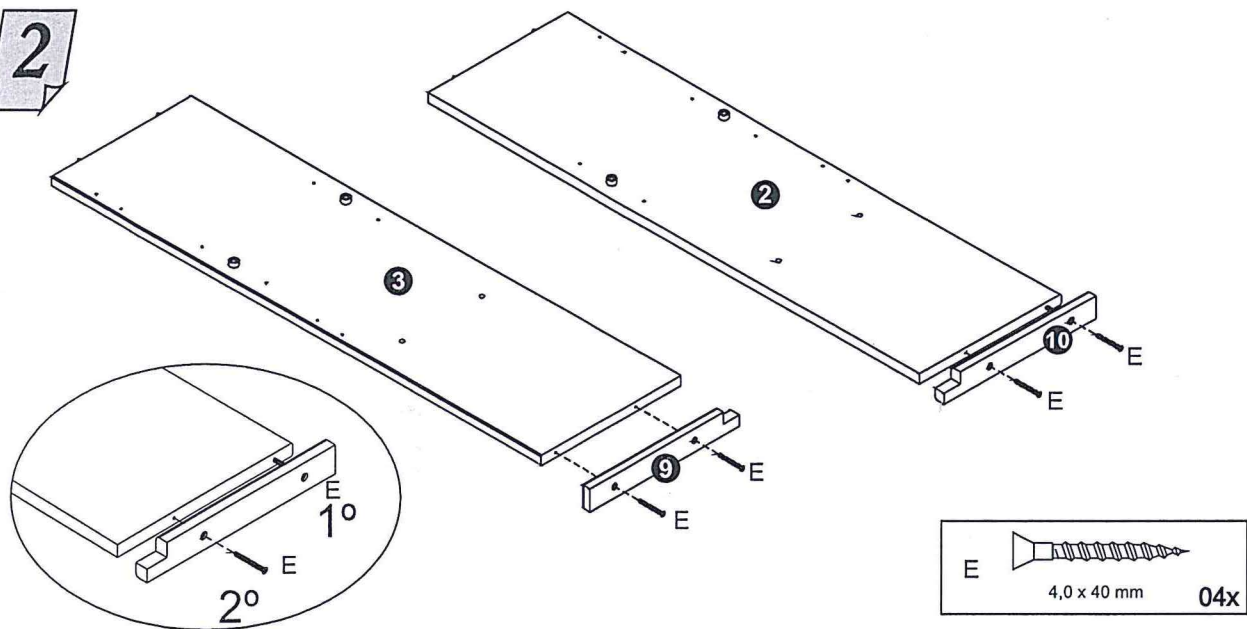
A		8,0 x 25 mm	20x
---	---	-------------	-----

D		3,0 x 14 mm	04x
---	---	-------------	-----

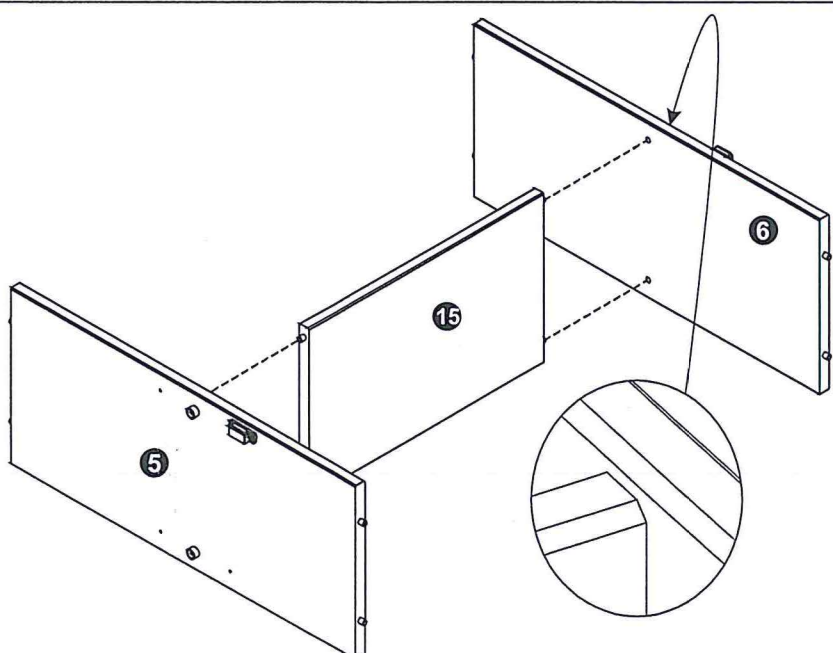
C			02x
---	---	--	-----

B			08x
---	---	--	-----

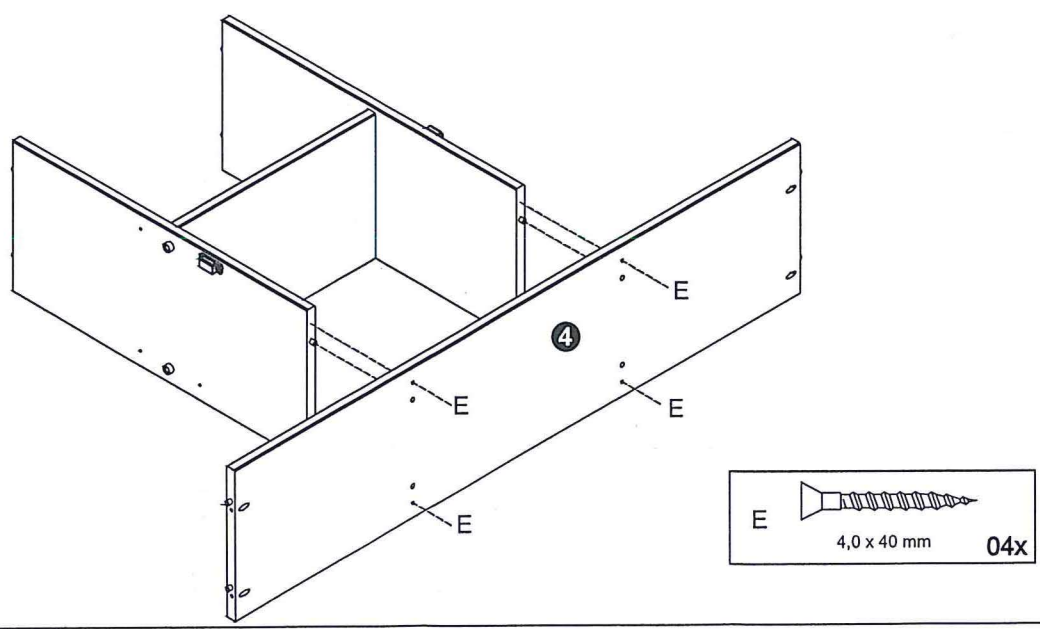
2



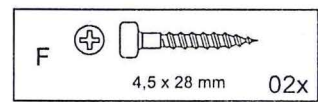
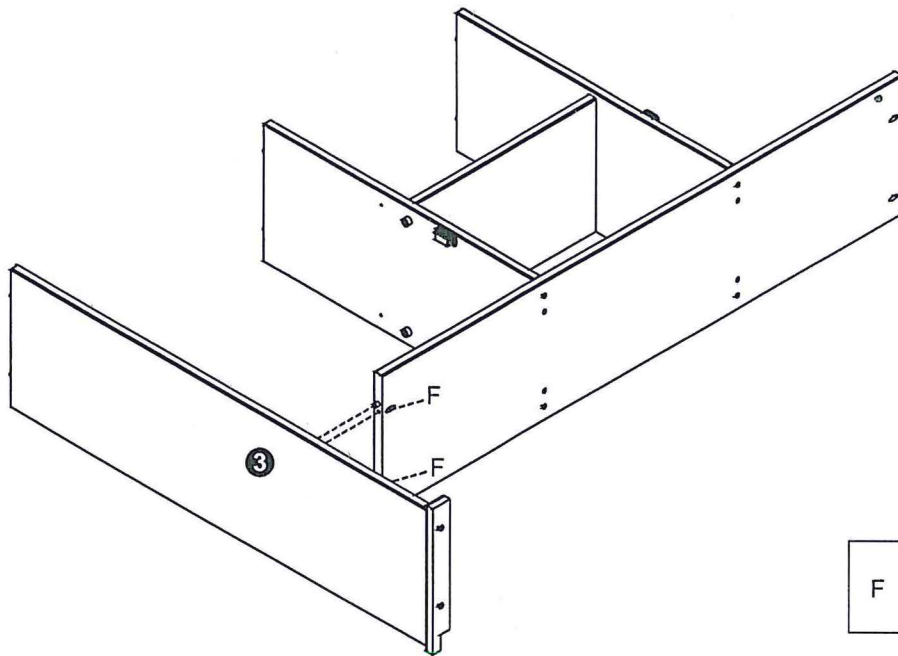
3



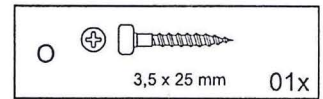
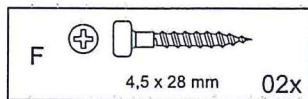
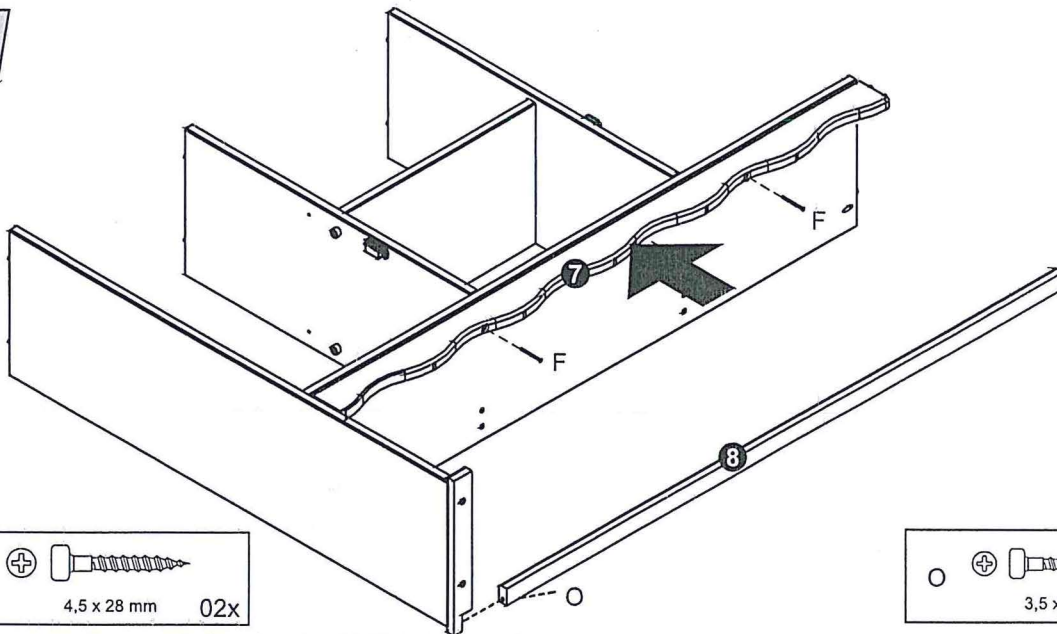
4



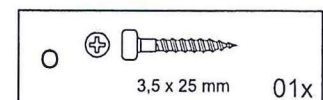
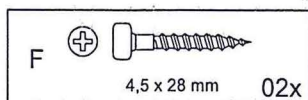
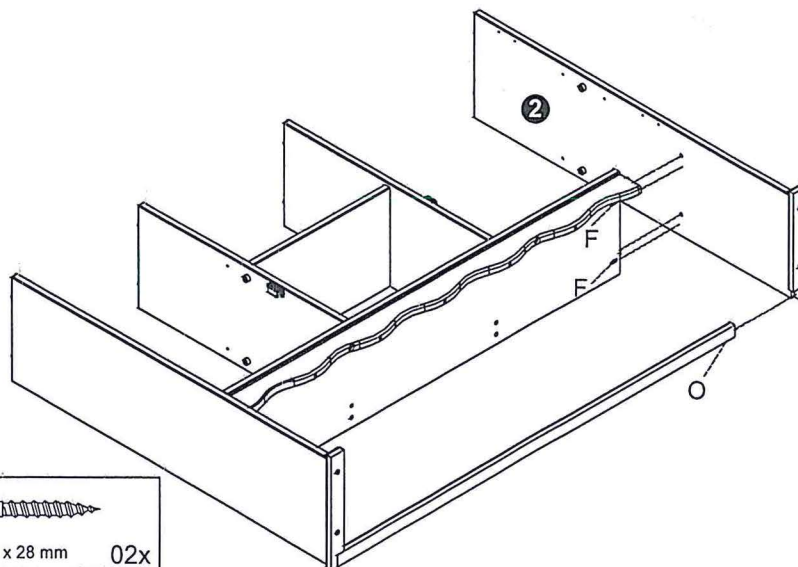
5



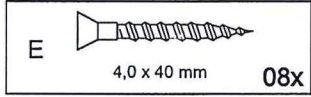
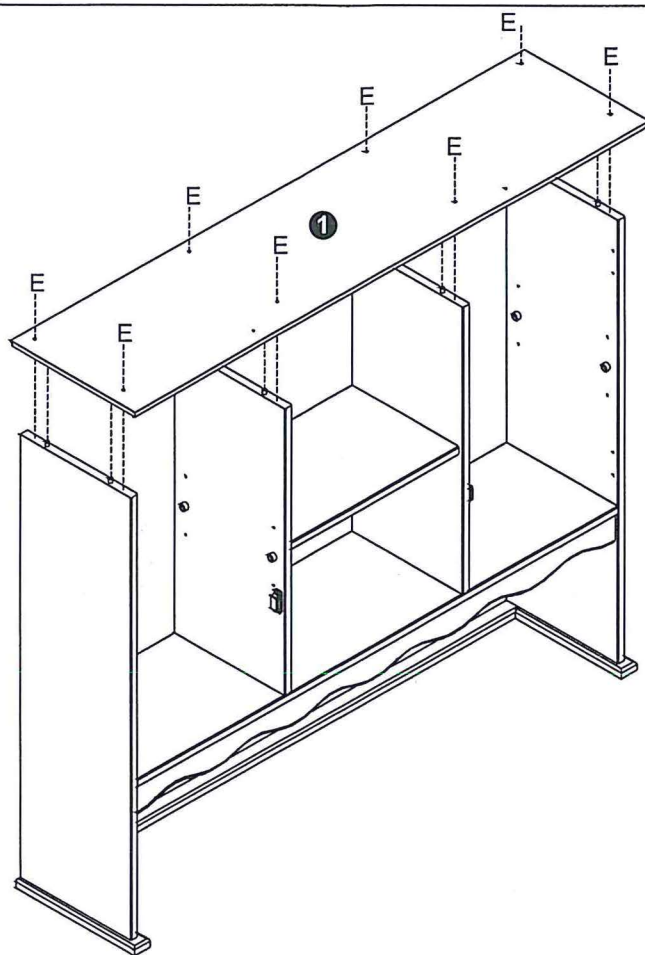
6



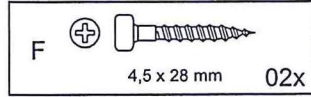
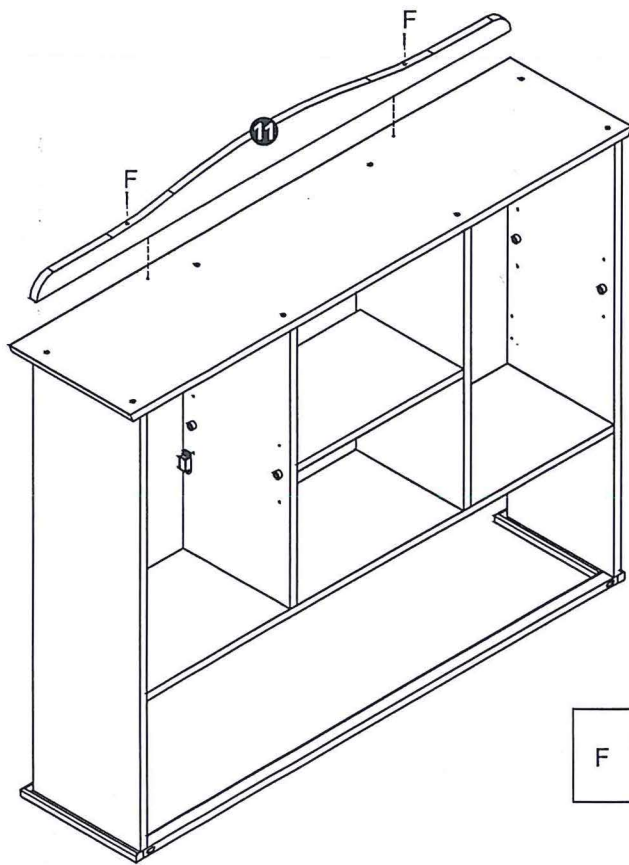
7



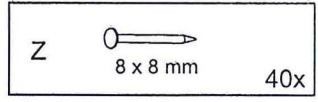
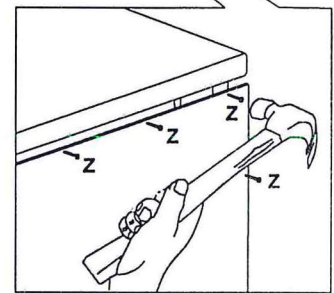
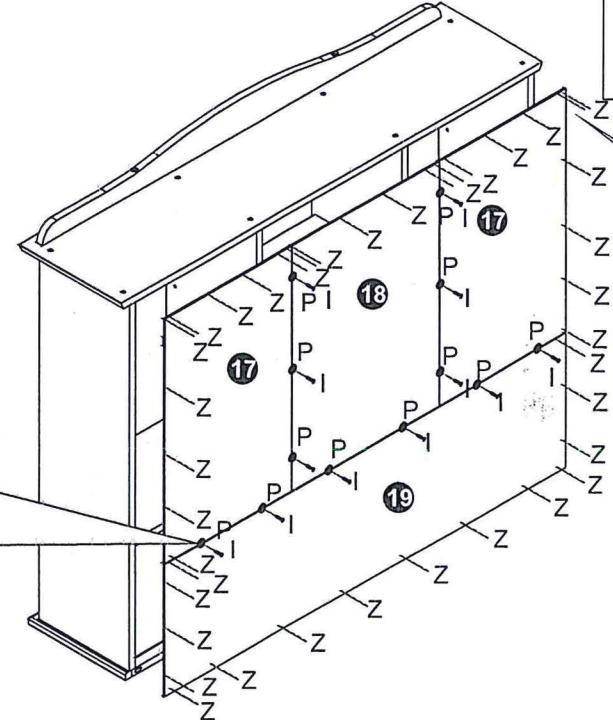
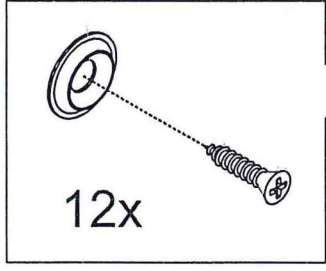
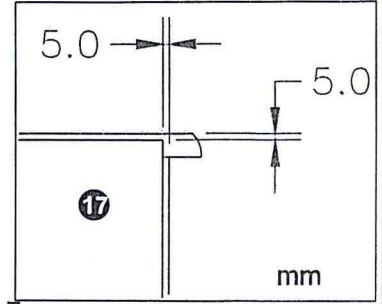
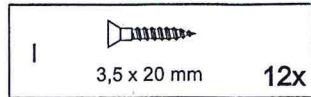
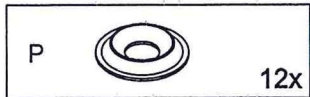
8



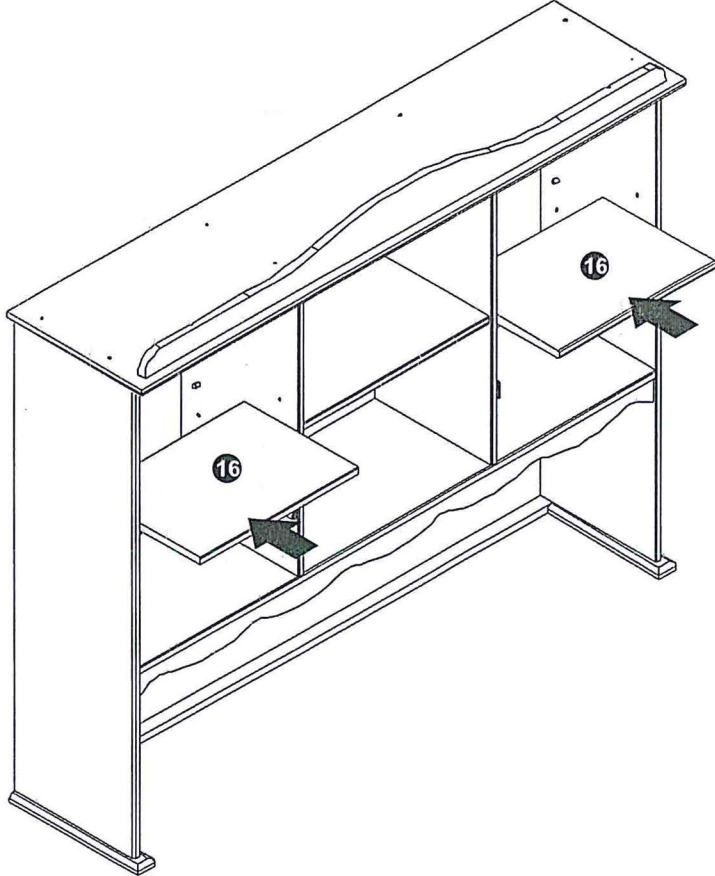
9



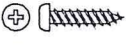
10

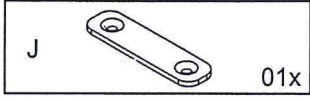
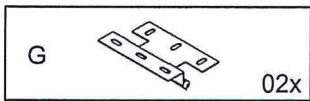
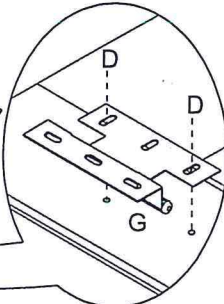
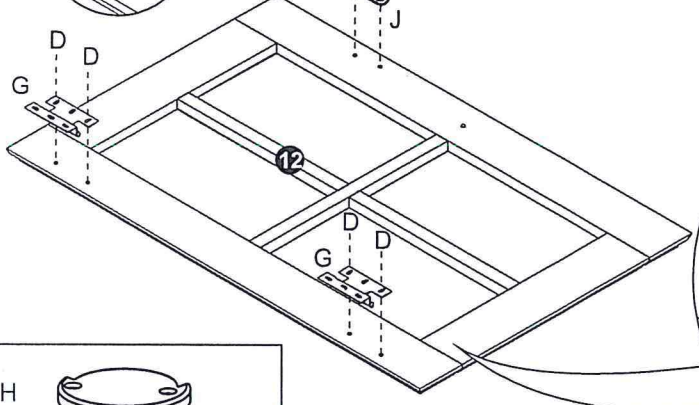
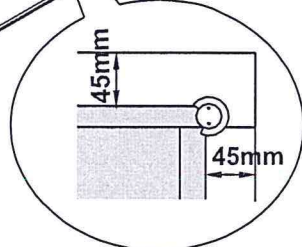
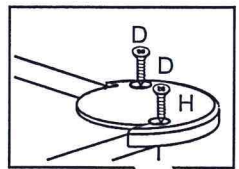
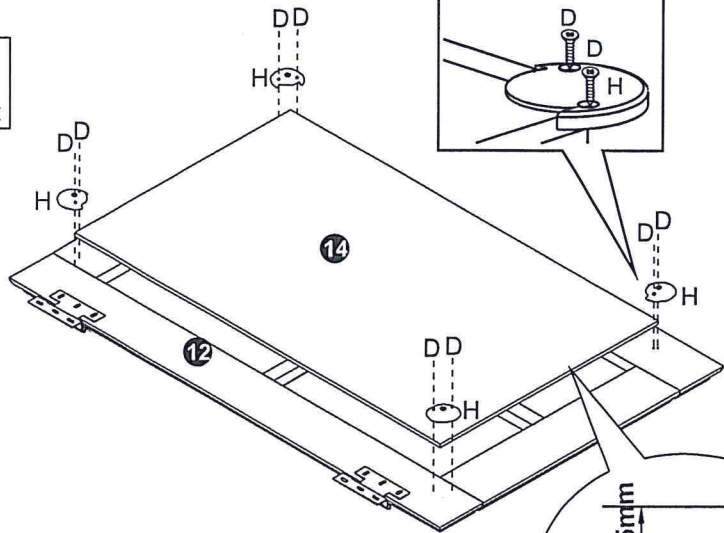
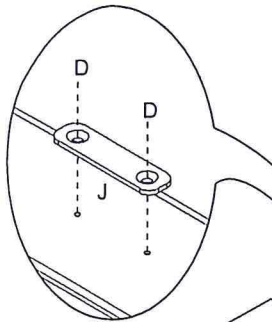


11




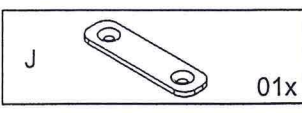
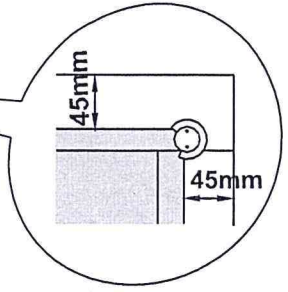
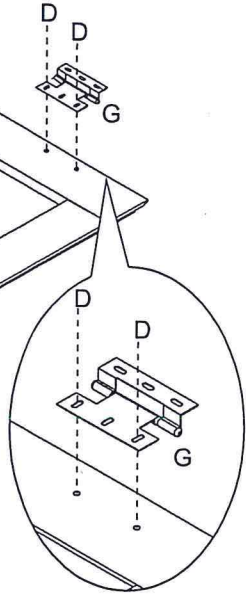
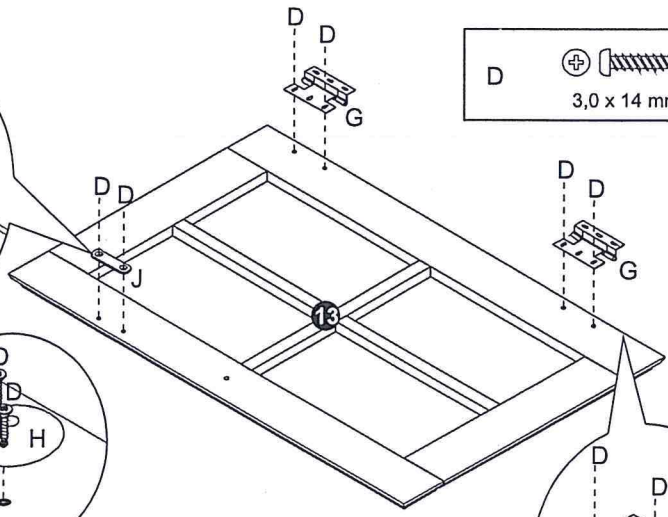
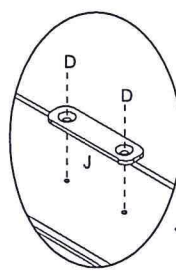
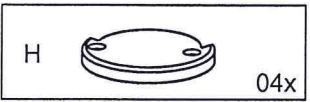
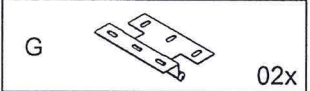
12

D  3,0 x 14 mm 14x

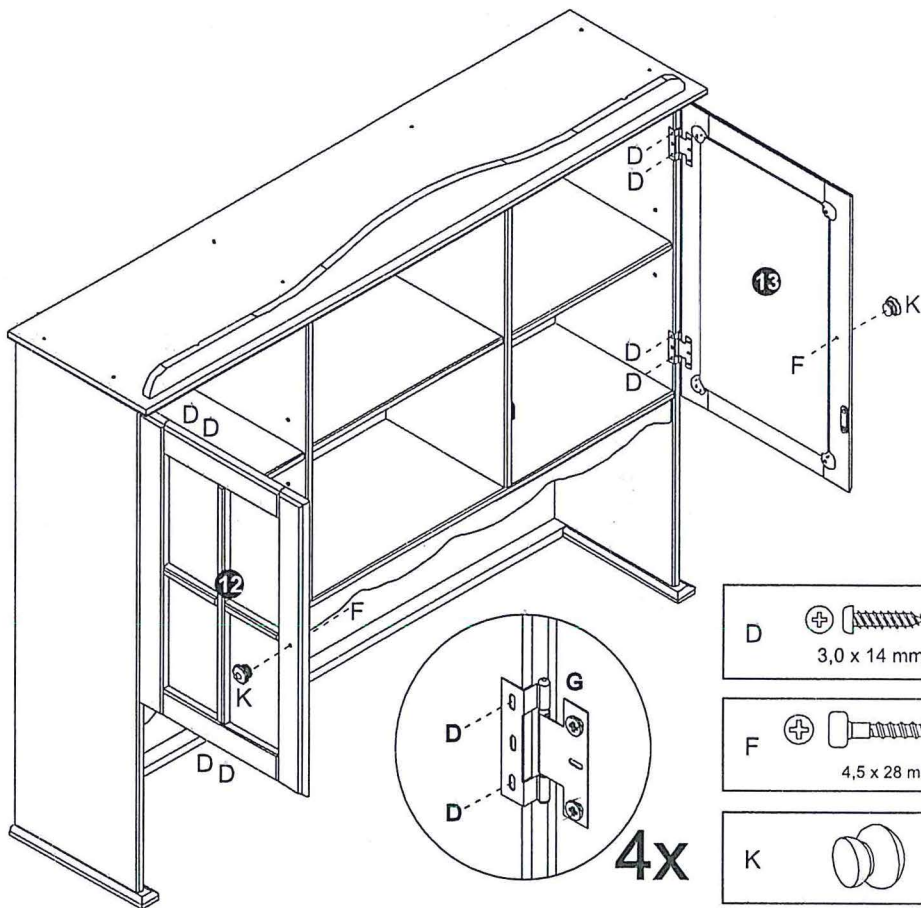





13

D  3,0 x 14 mm 14x



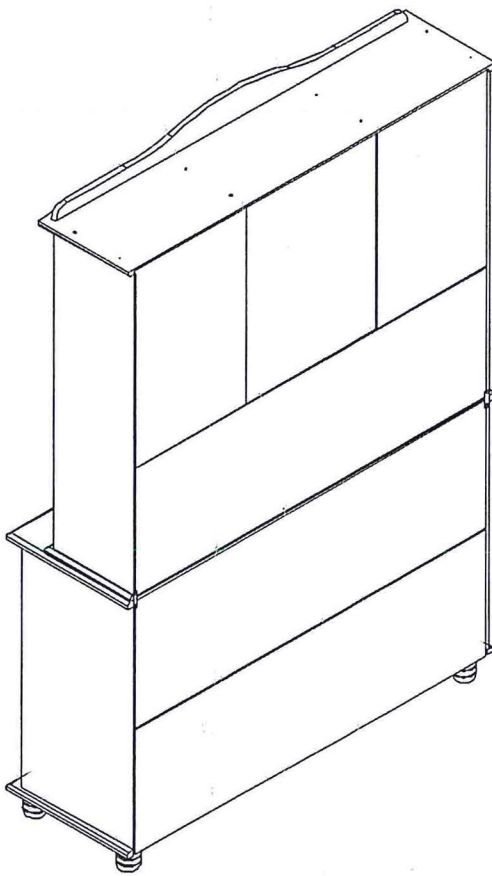
14




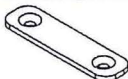
- |   |   |             |     |
|---|---|-------------|-----|
| D |    | 3,0 x 14 mm | 08x |
| F |    | 4,5 x 28 mm | 02x |
| K |  |             | 02x |

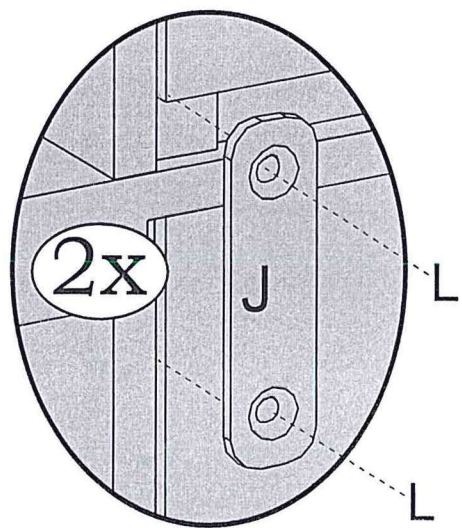
4x

15

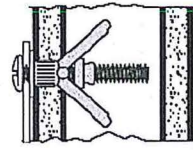
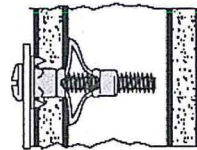
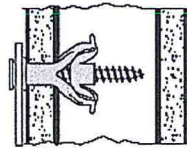
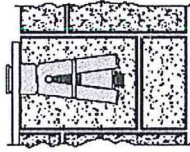
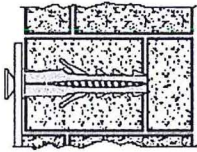
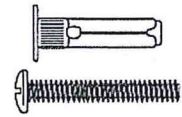
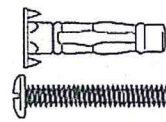
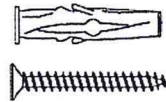
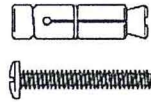
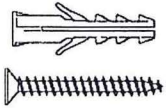
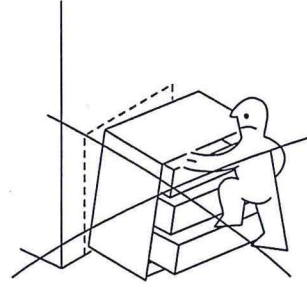
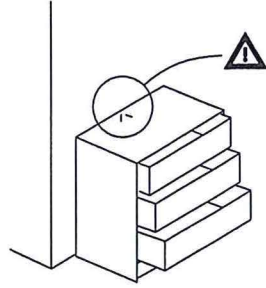


- |   |   |             |     |
|---|---|-------------|-----|
| L |  | 3,5 x 16 mm | 04x |
|---|---|-------------|-----|

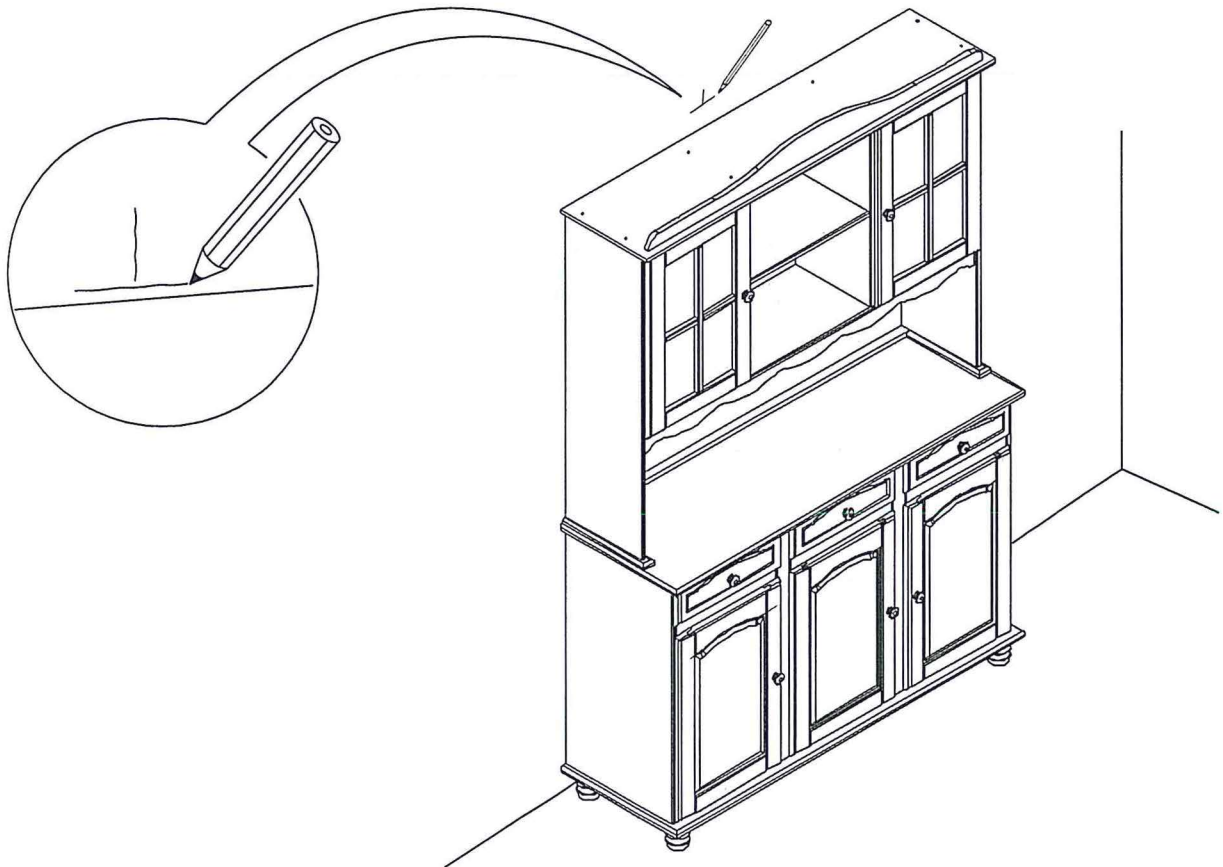
- |   |   |  |     |
|---|---|--|-----|
| J |  |  | 02x |
|---|---|--|-----|



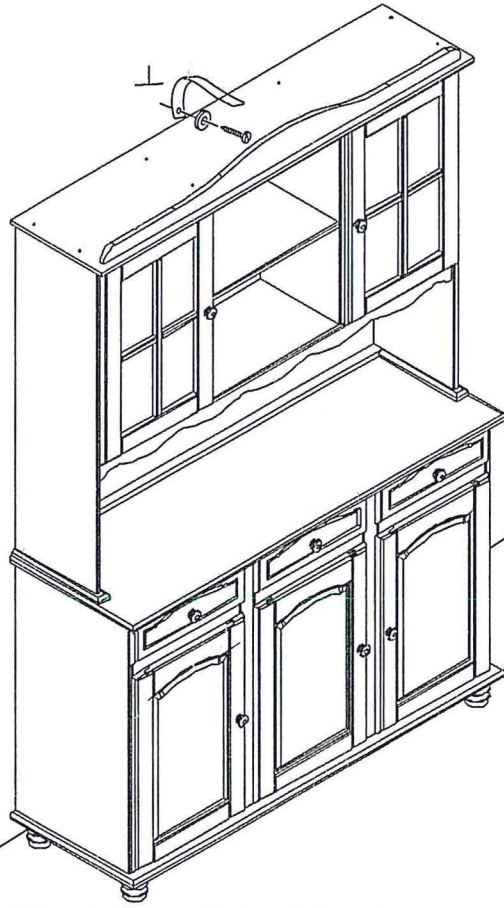
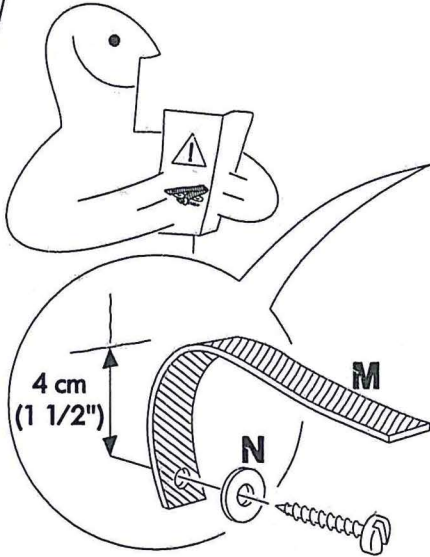



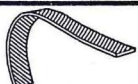


16

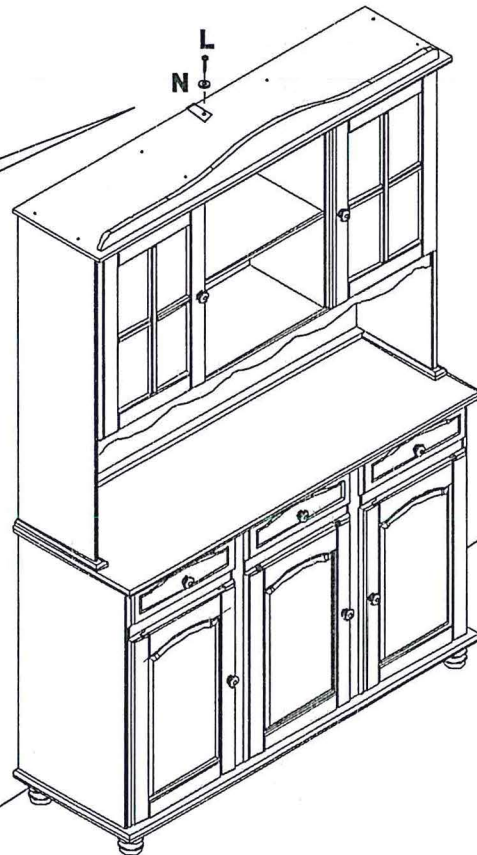
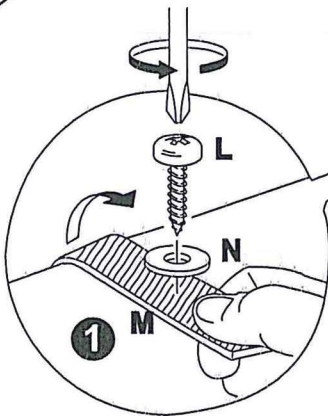


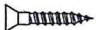

17



N		01 x
M		01 x

18



L		3,5 x 16 mm	01 x
N			01 x