

A
M6 × 25 mm
20 ks

B
M6 × 12 mm
8 ks

C
ST4 × 14 mm
5 ks

D
M6 mm
4 ks

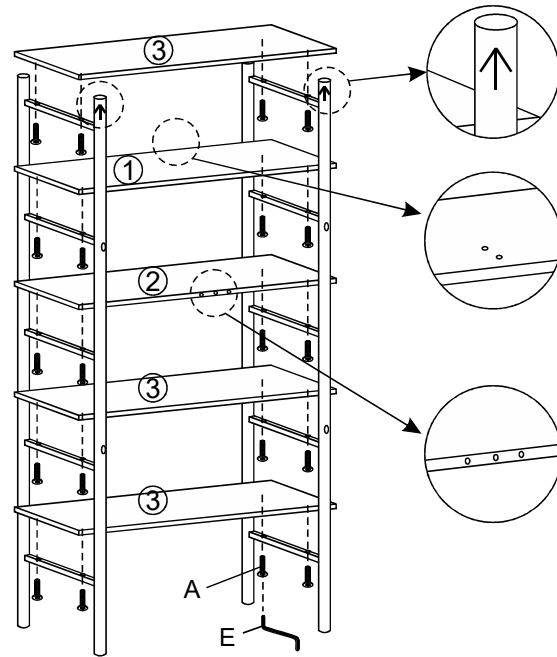
E
1 ks

F
1 ks

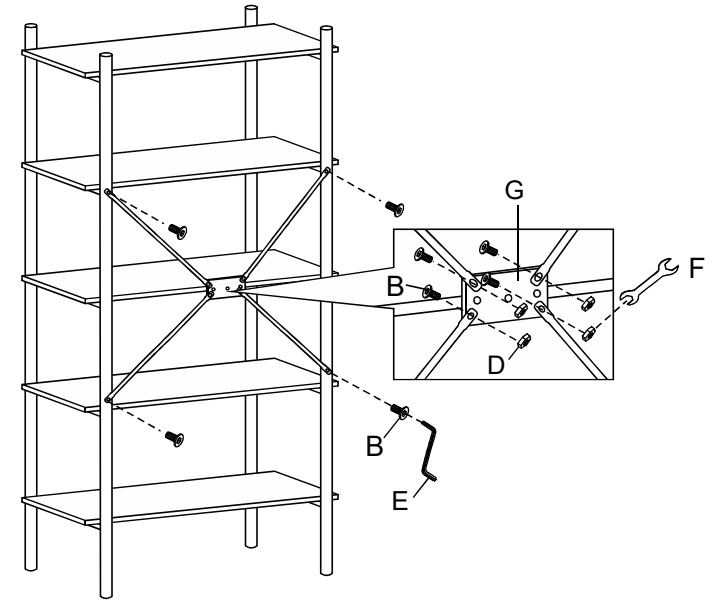
G
1 ks

H
1 ks

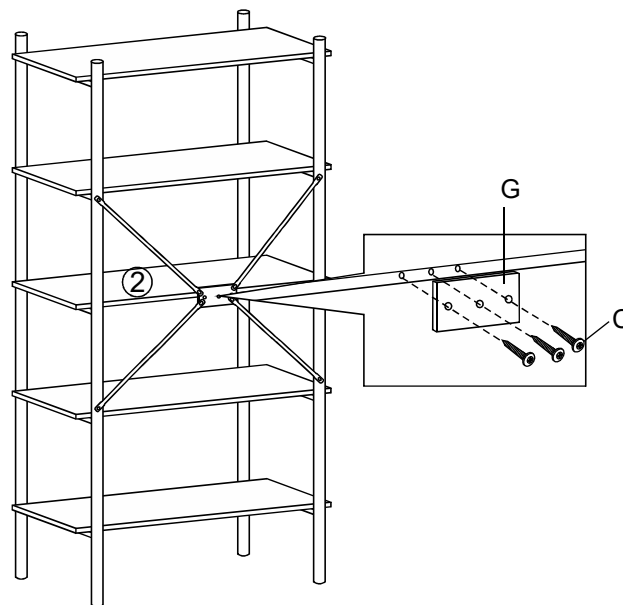
1



2



3



4

