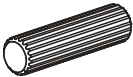




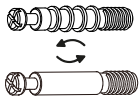
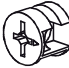


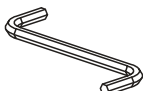
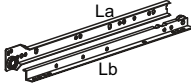
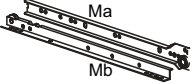

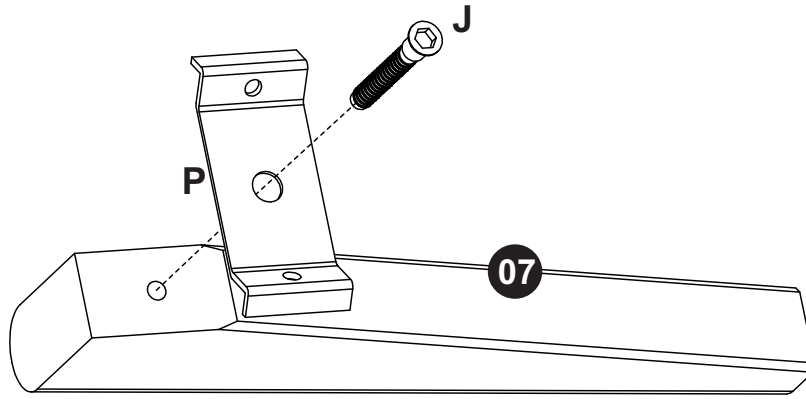
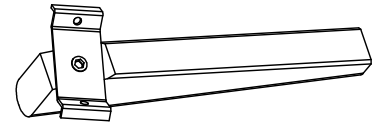
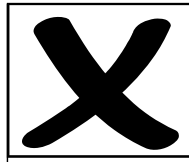
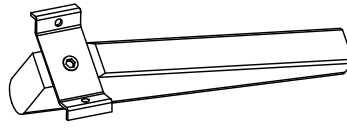


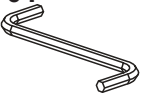
<b>A=36</b>  8,0 x 30mm	<b>B=16</b>  3,5 x 30mm	<b>C=28</b>  4,0 x 40mm	<b>D=08</b>  3,5 x 16mm	<b>E=08</b>  6,0 x 10mm	<b>G=16</b>  
<b>H=16</b>  	<b>I=12</b>  3,0 x 16mm	<b>J=04</b>  7,0 x 50mm	<b>K=01</b>  	<b>L=02</b>  300mm	<b>M=02</b>  300mm
<b>P=04</b>  					

1

4x



K=01



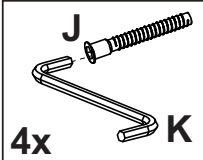
P=04



J=04

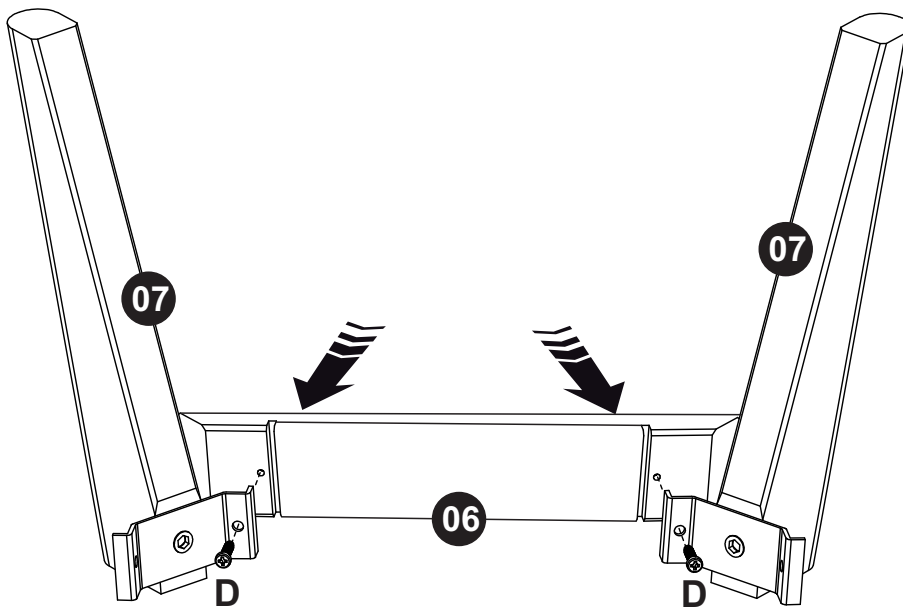


7,0 x 50mm



2

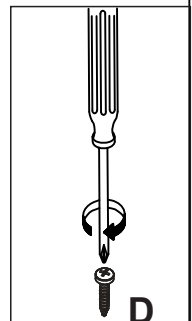
2x



D=04

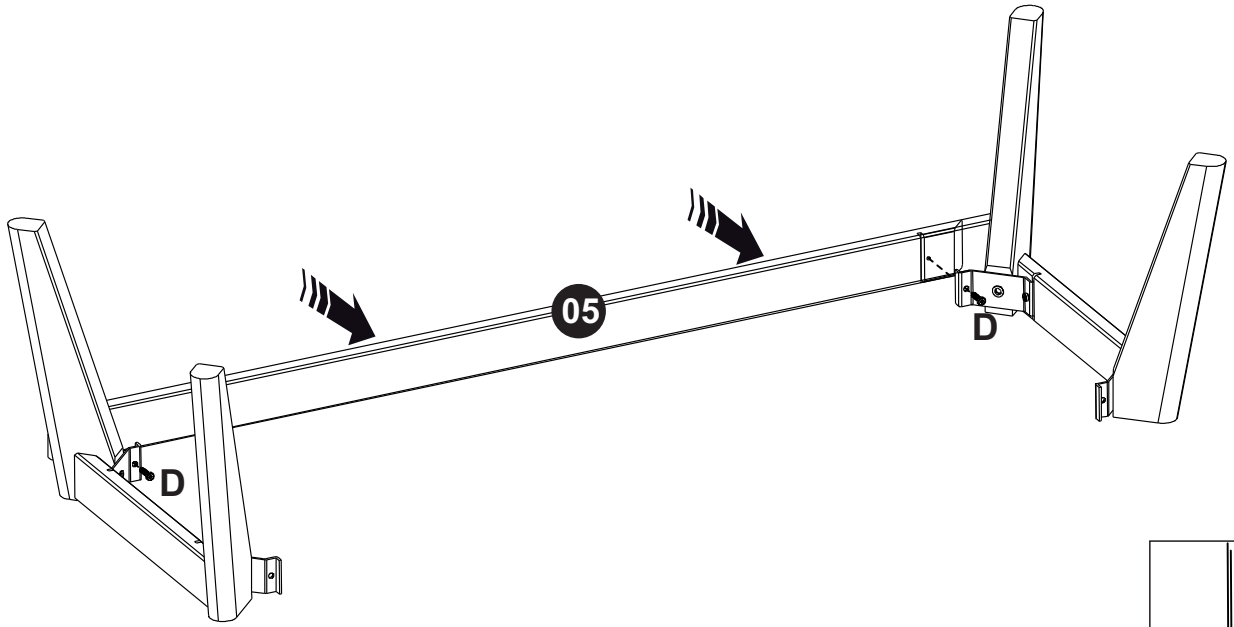


3,5 x 16mm



04x

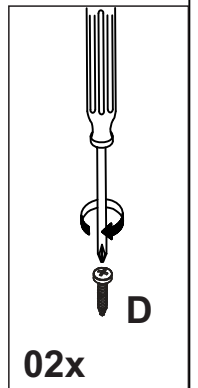
3



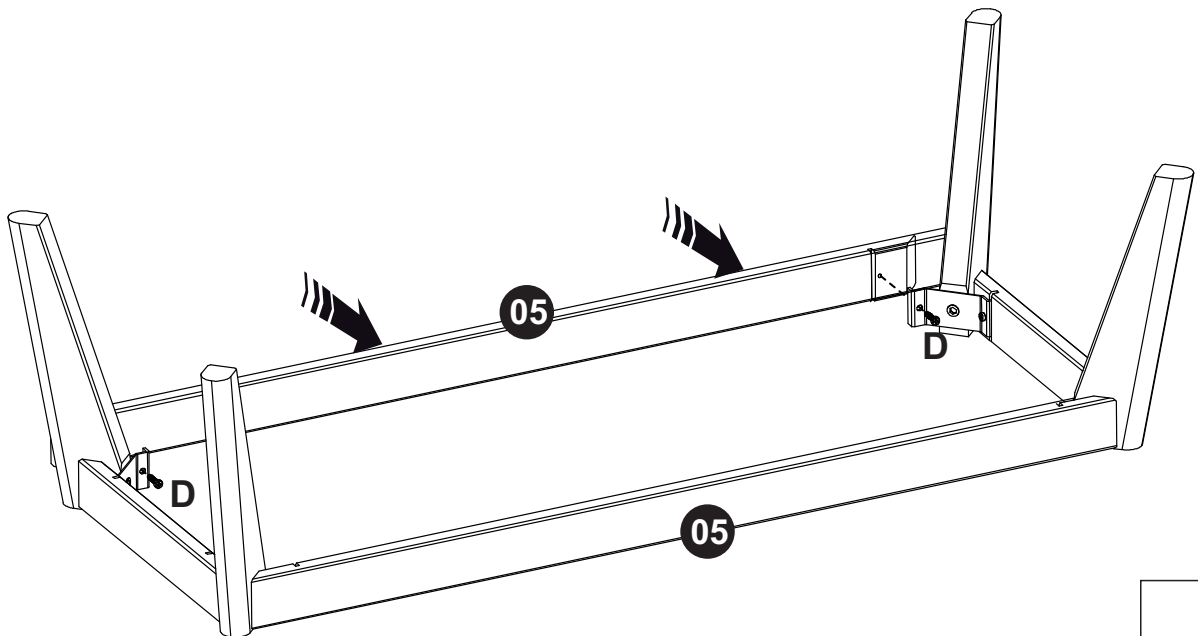
D=02



3,5 x 16mm



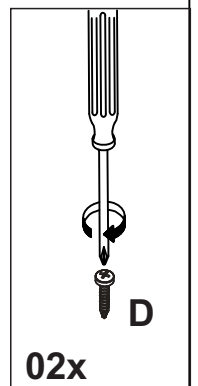
4



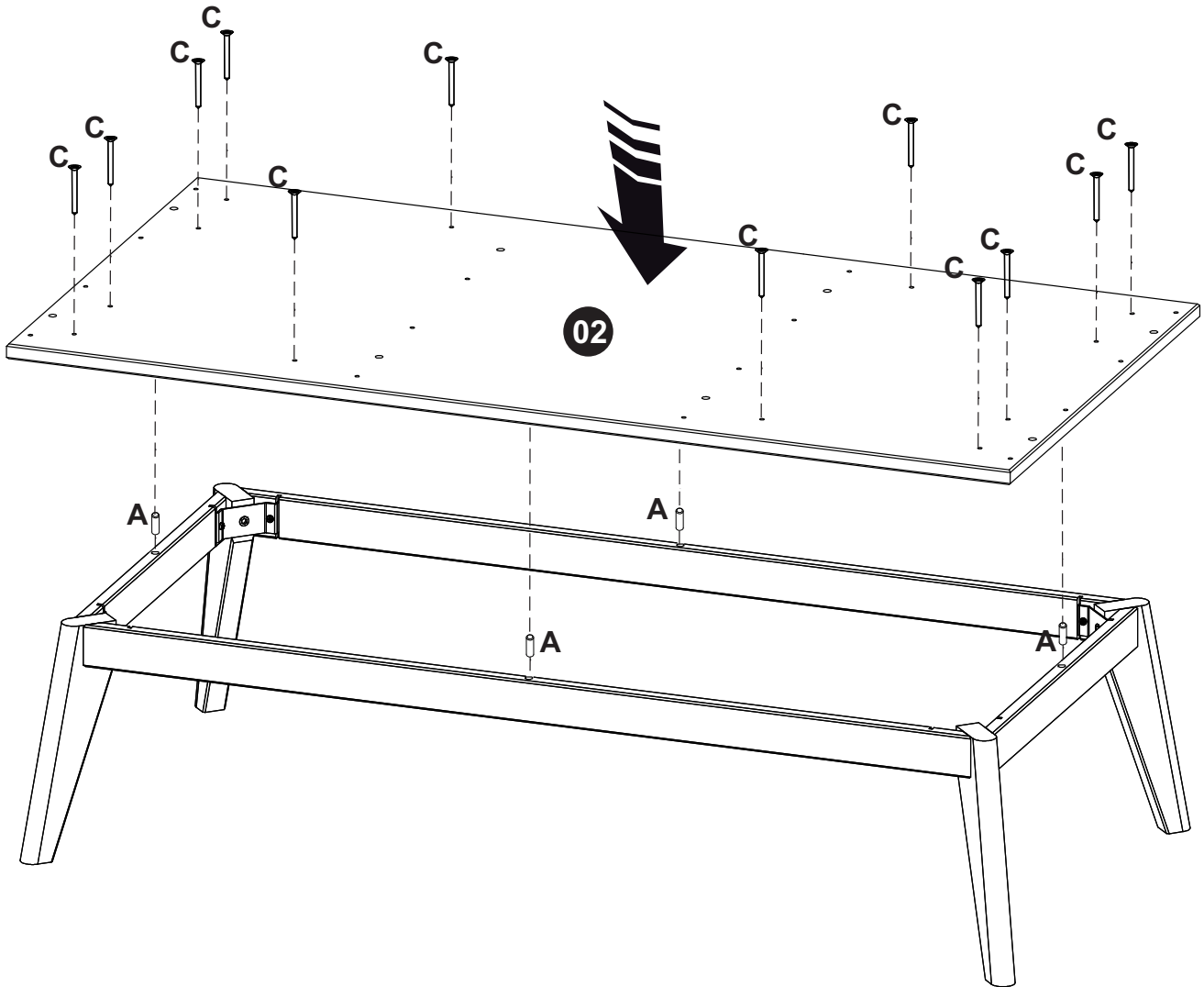
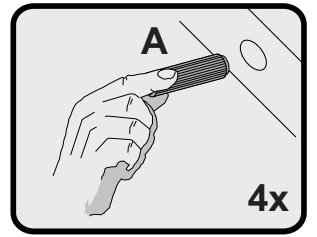
D=02



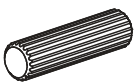
3,5 x 16mm



5



A=04

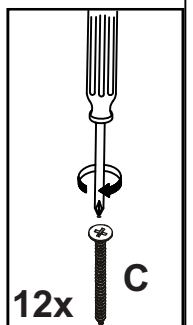


8,0 x 30mm

C=12

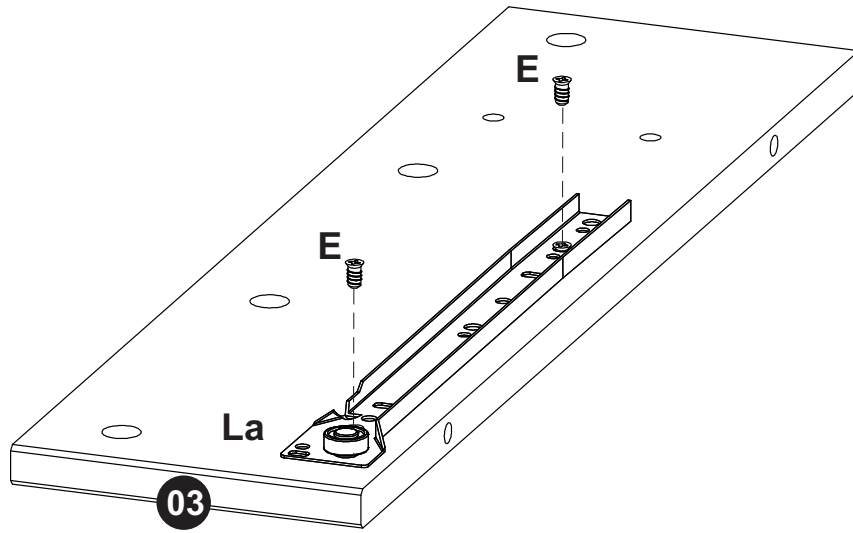
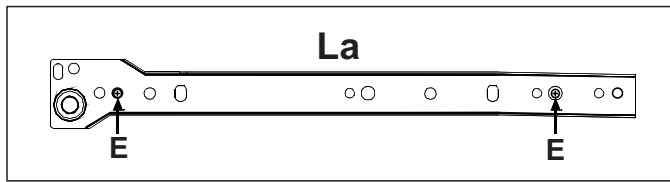


4,0 x 40mm



6

2x

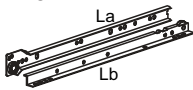


E=04



6,0 x 10mm

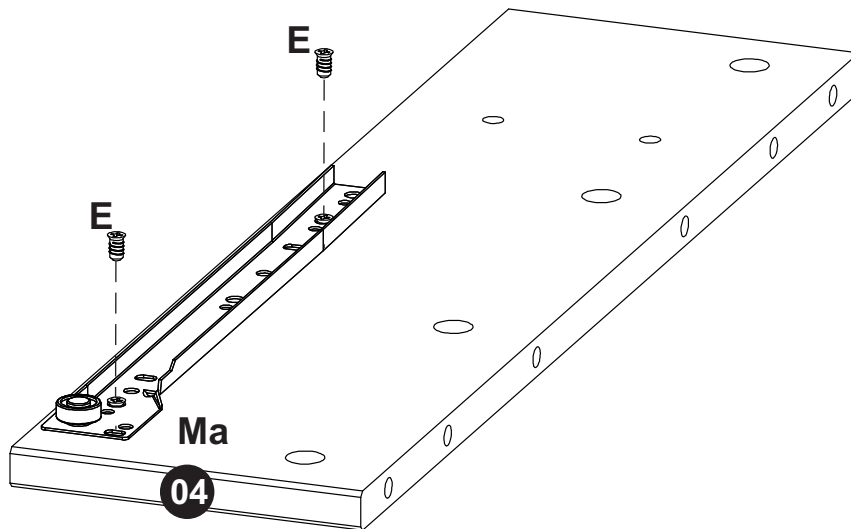
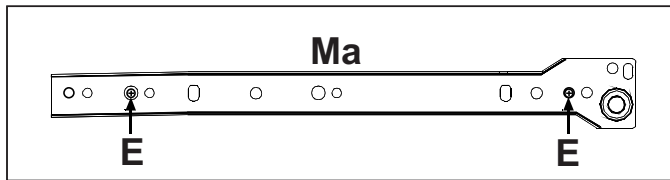
L=02



300mm

7

2x

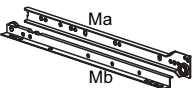


E=04



6,0 x 10mm

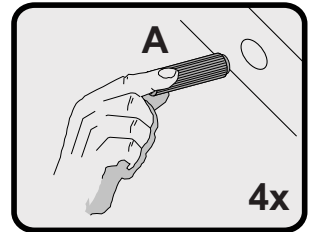
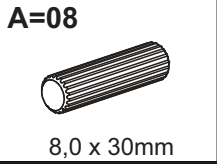
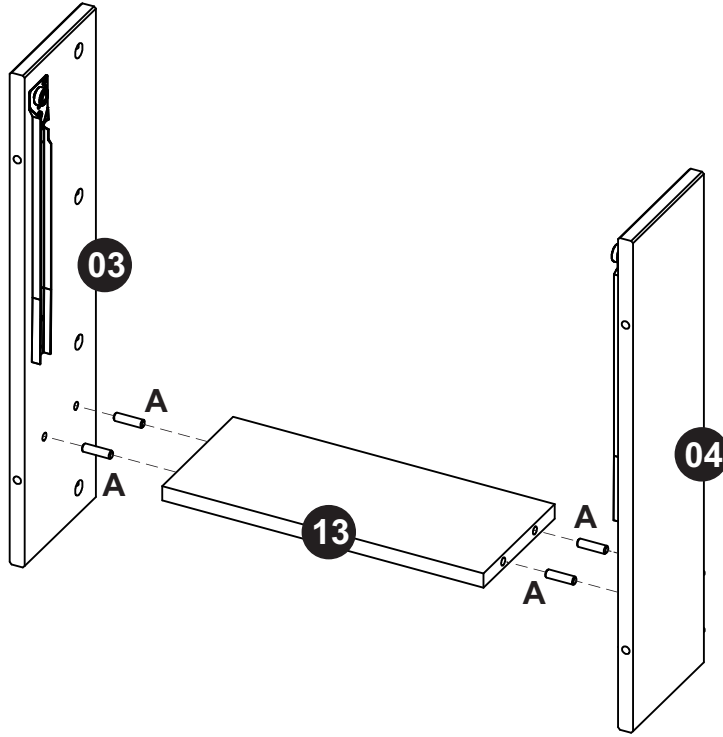
M=02



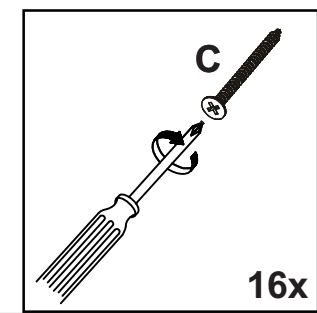
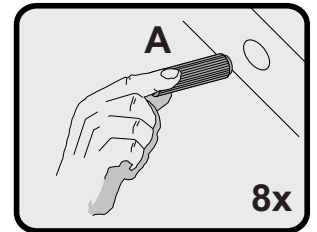
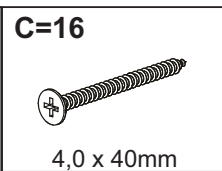
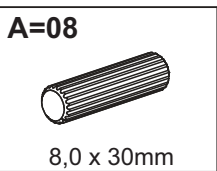
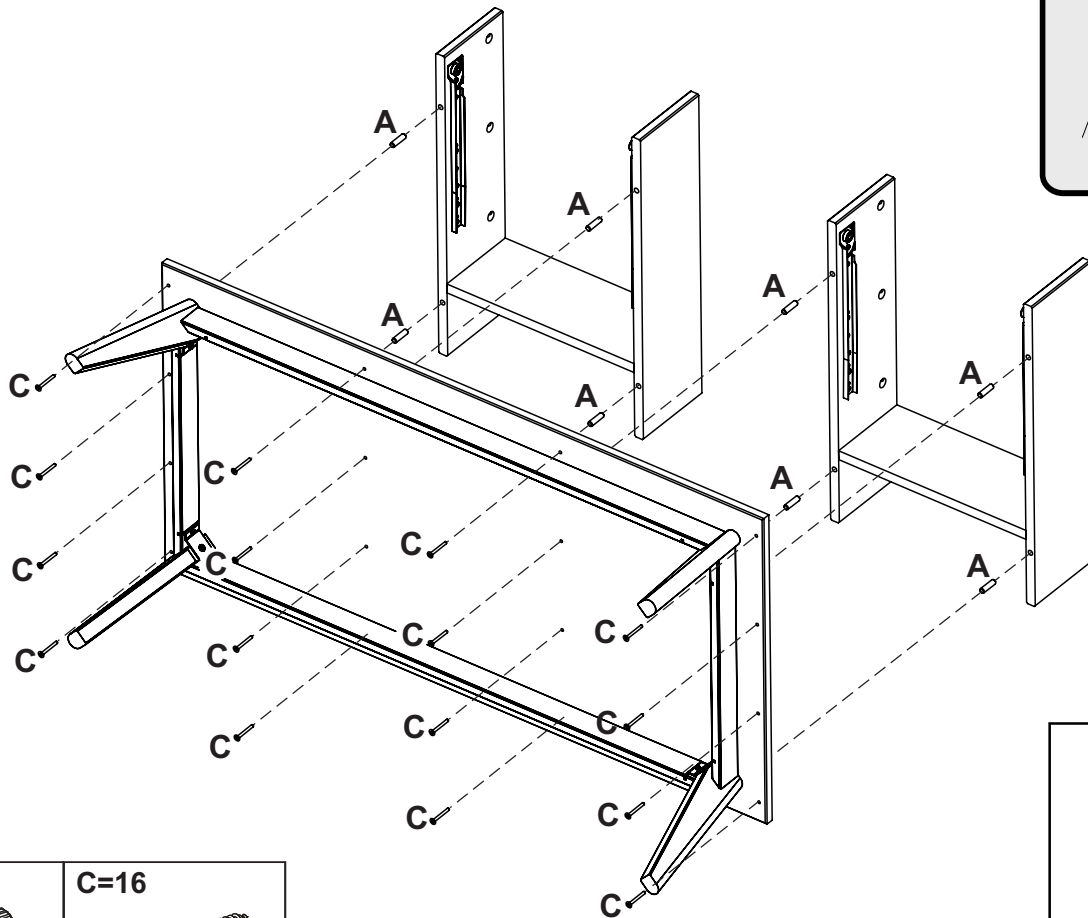
300mm

8

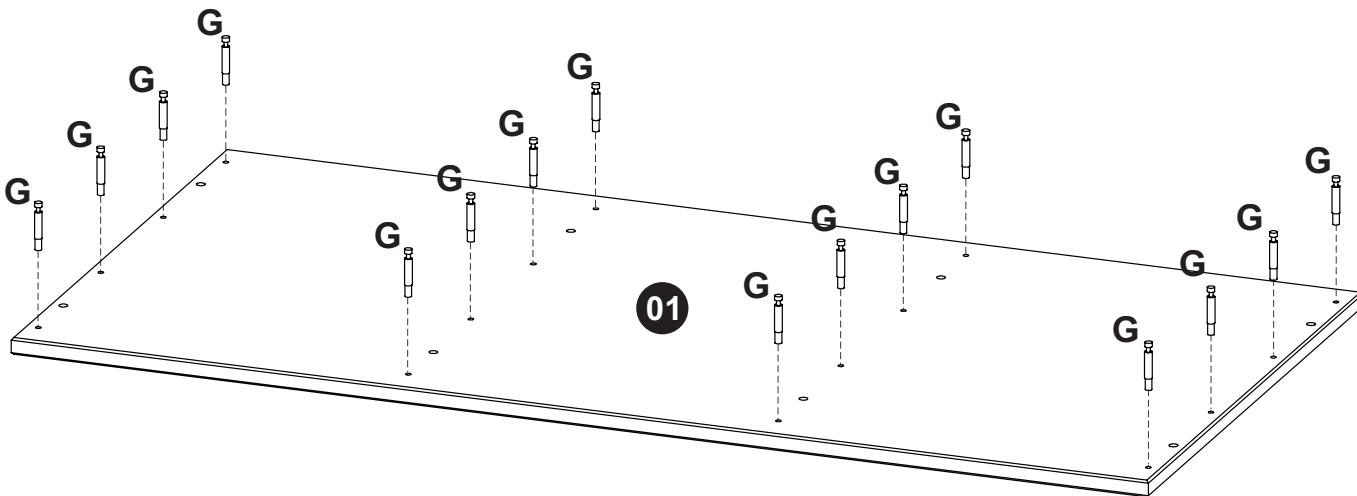
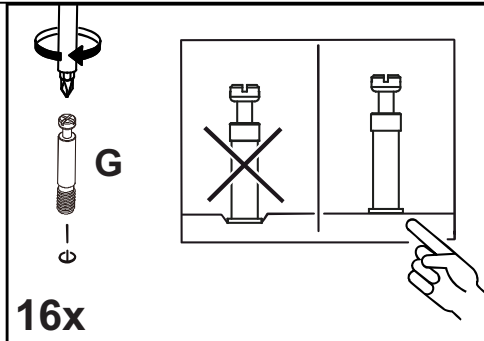
2x



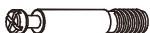
9



10

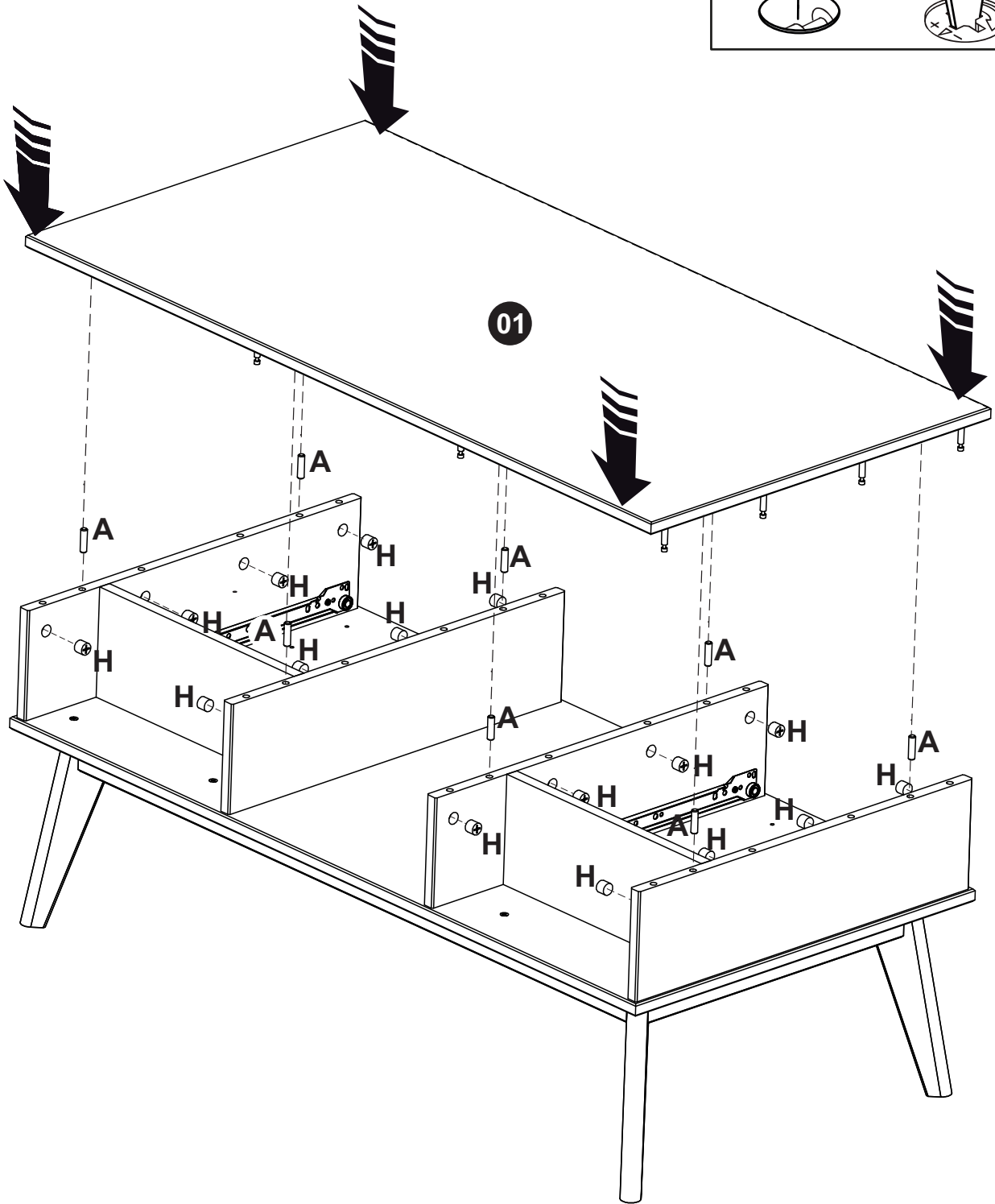
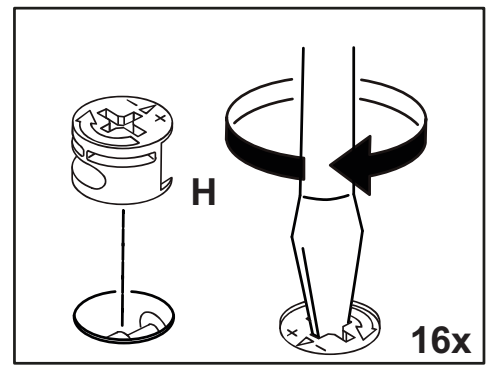


G=16





11

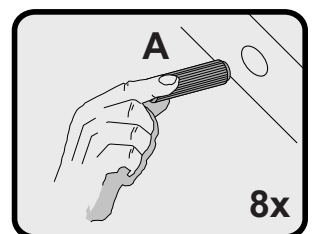


A=08



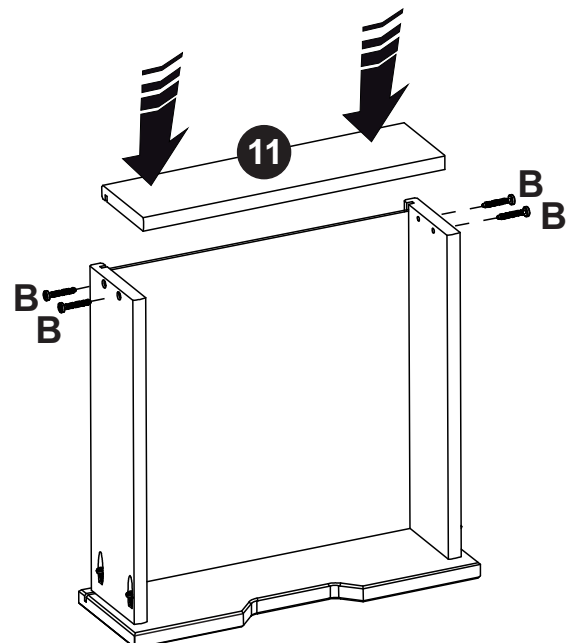
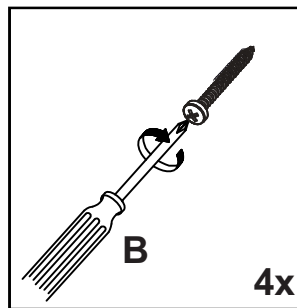
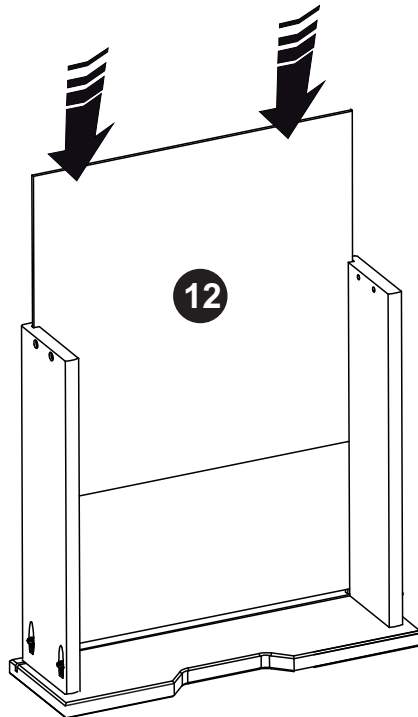
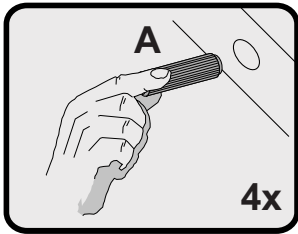
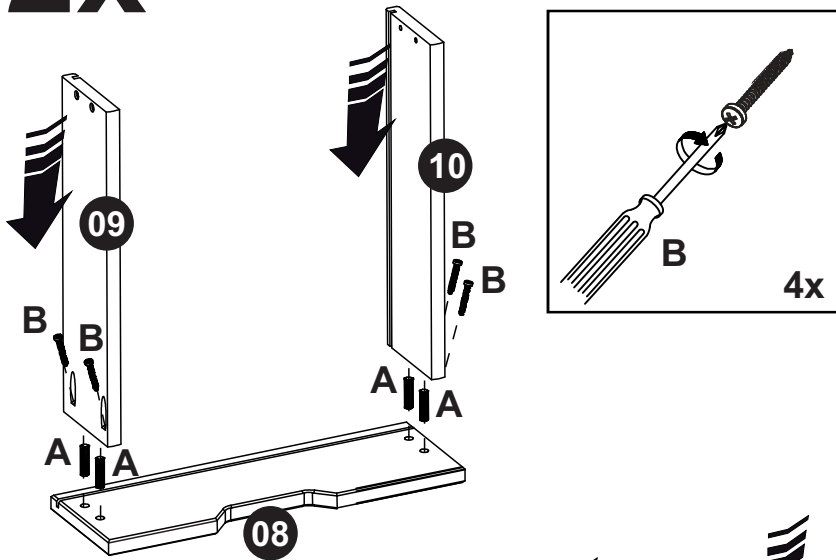
8,0 x 30mm

H=16



12

2x



A=08



8,0 x 30mm

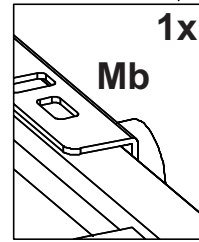
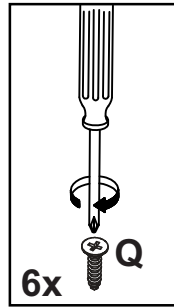
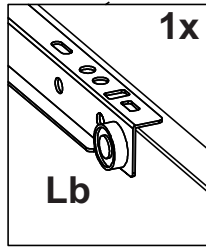
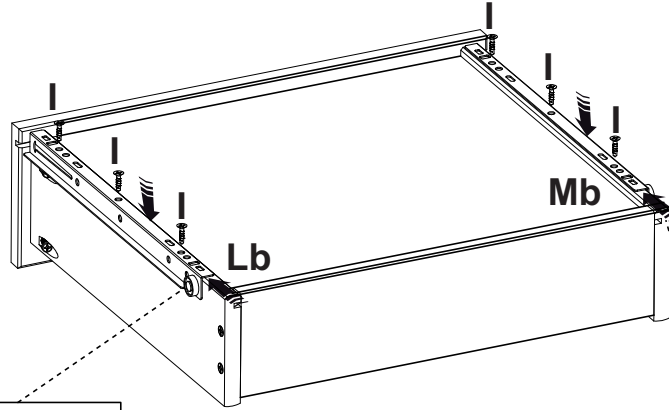
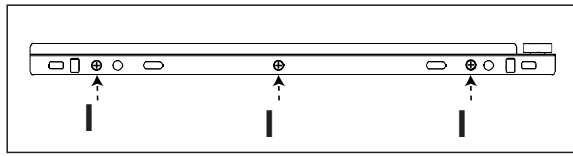
B=16



3,5 x 30mm

13

2x

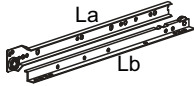


I=12



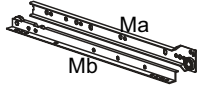
3,0 x 16mm

L=02



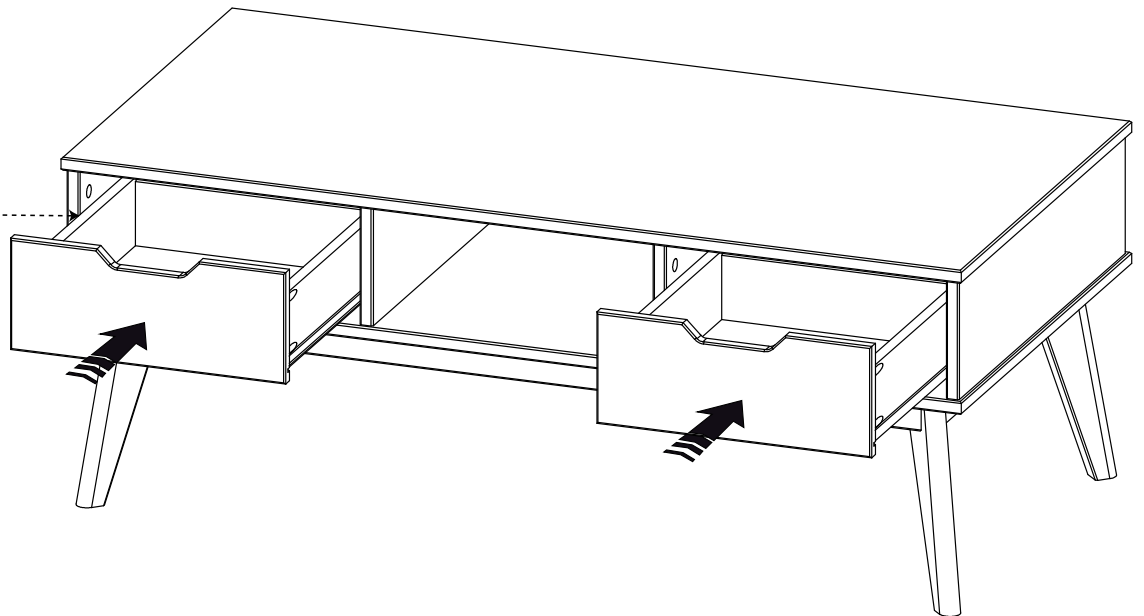
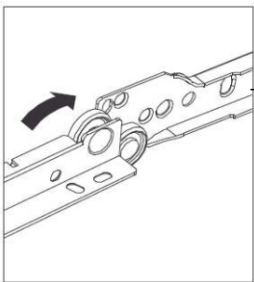
300mm

M=02



300mm

14



01-06-2023 - REV. 1