

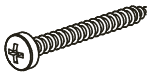



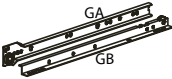
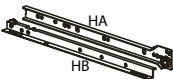







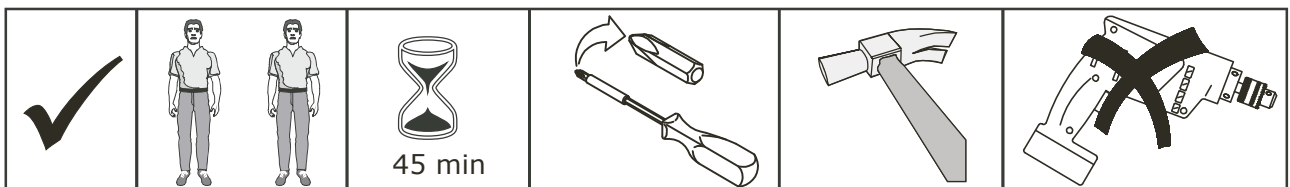
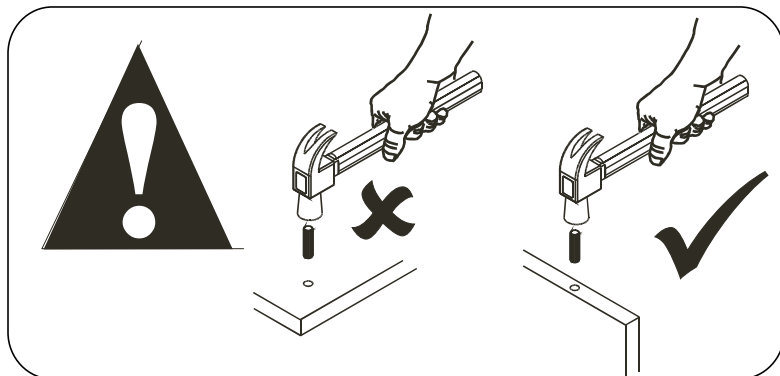
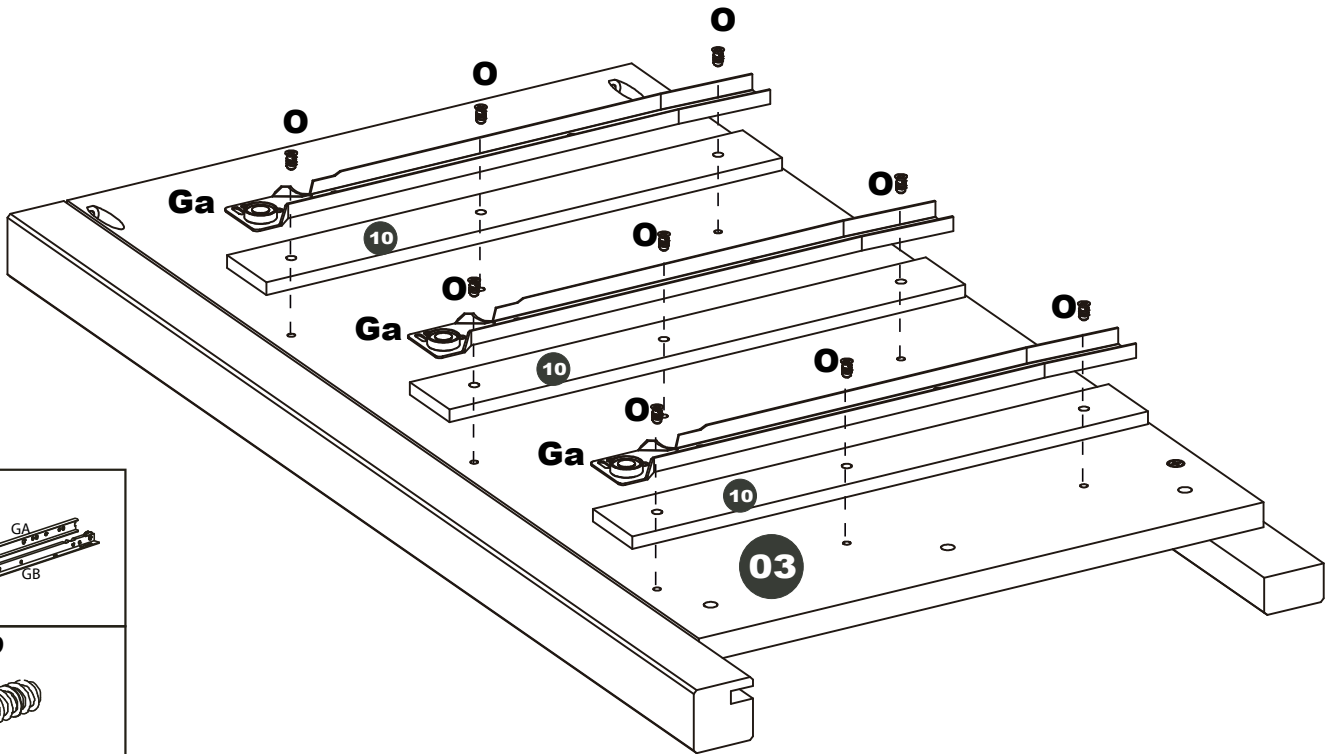
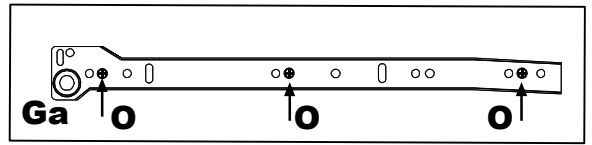


A=44  8,0 x 30 mm	B=60  3,5 x 30 mm	C=09  4,0 x 40 mm	D=42  3,0 x 16 mm	E=18  6,0 x 10 mm
F=26 	G=06 	H=06 	I=06 	J=04 
K=02 	L=03  4,0 x 40 mm	M=03 	N=02 	O=18  6,0 x 20 mm



1

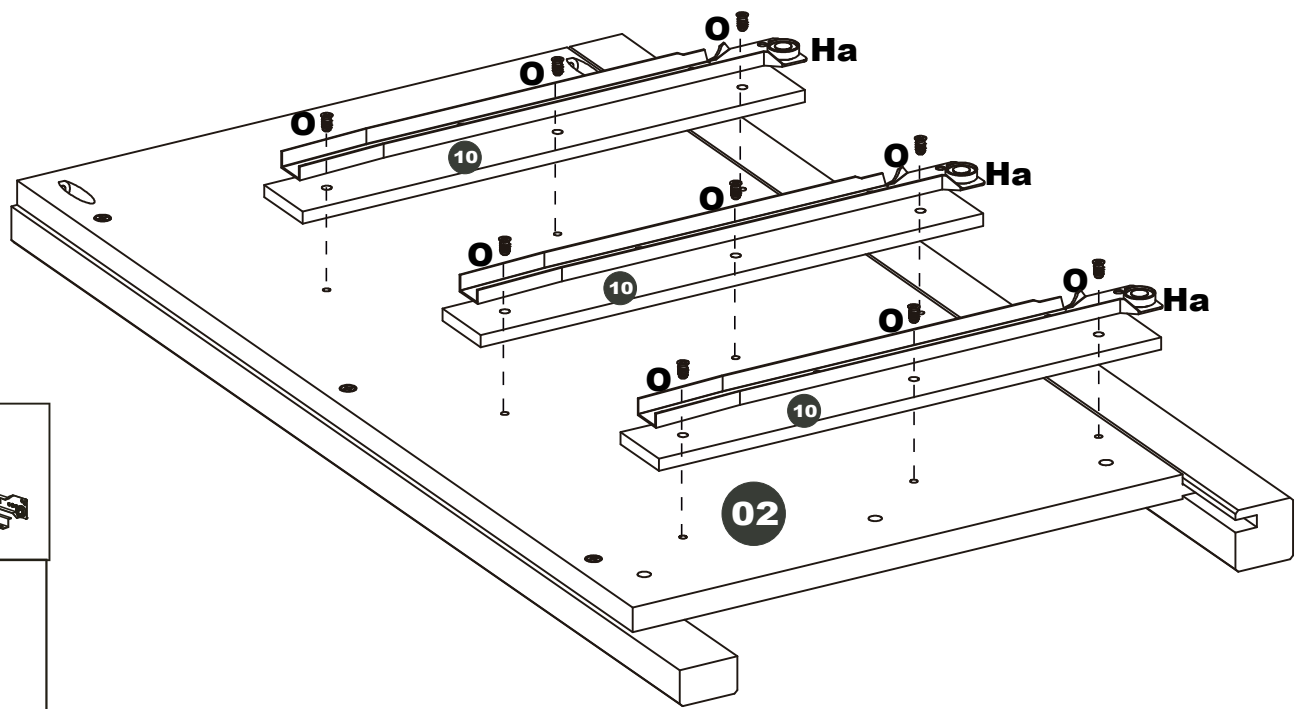
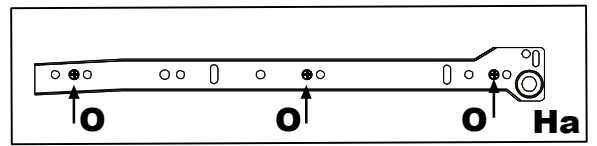


G=03

O=09

6,0x 20mm

2

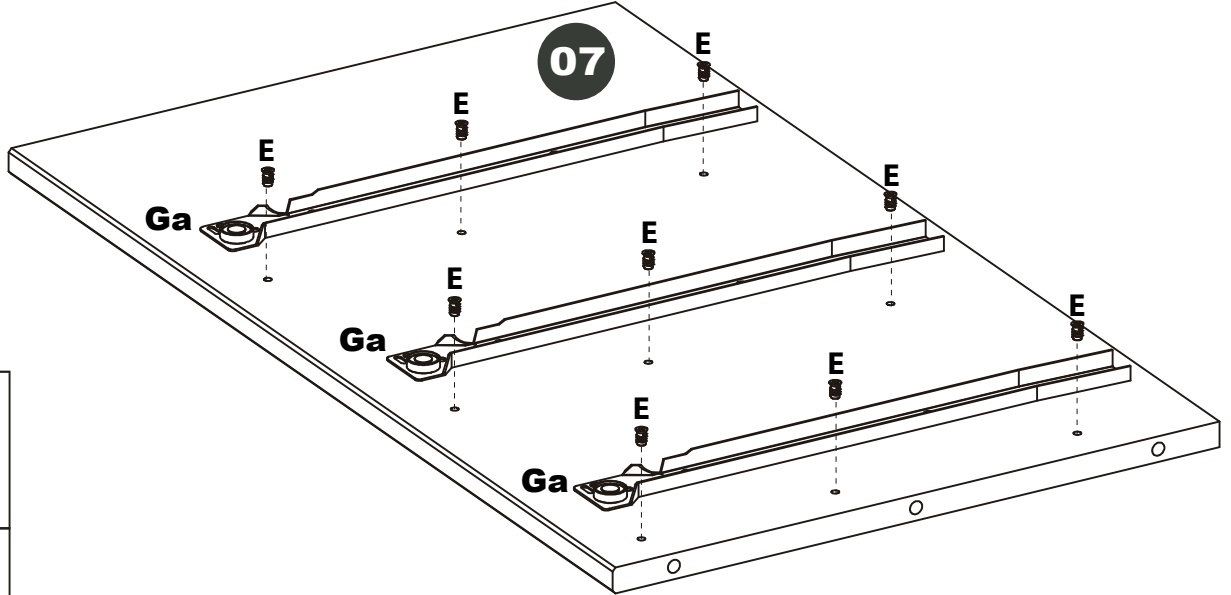
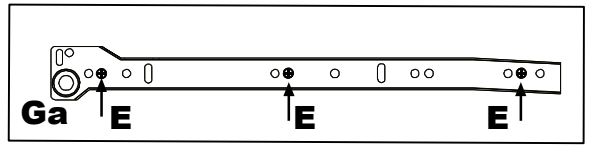


H=03

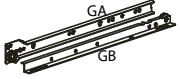
O=09

6,0x 20mm

3



G=03

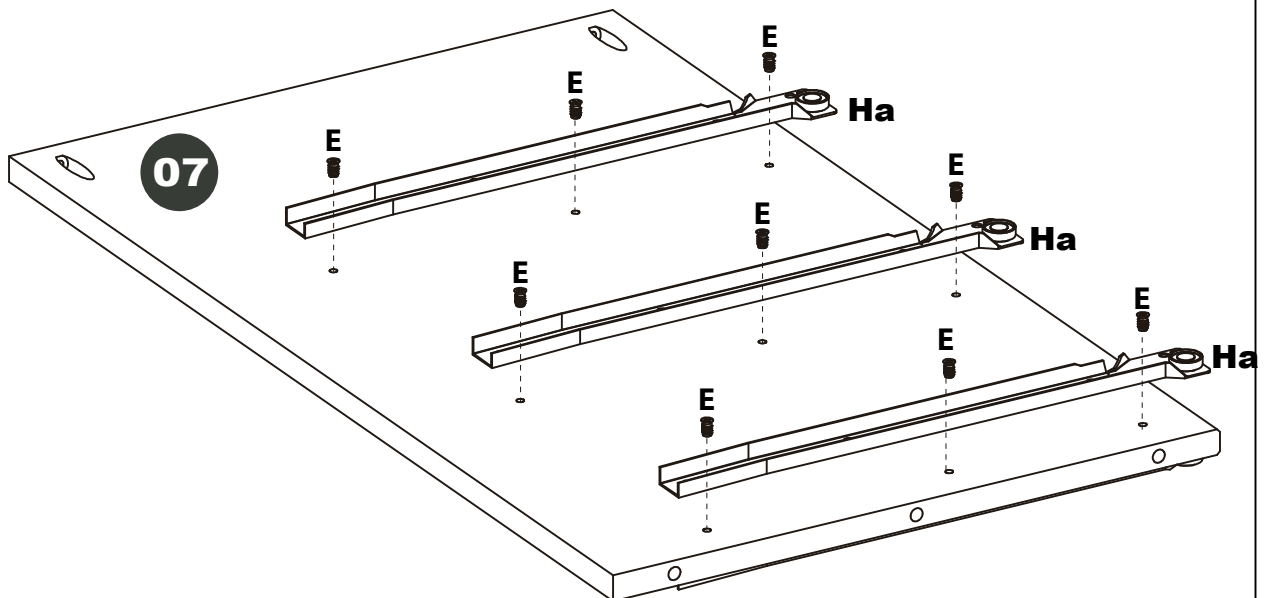
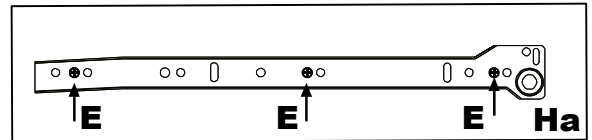


E=09

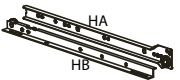


6,0x 10mm

4



H=03

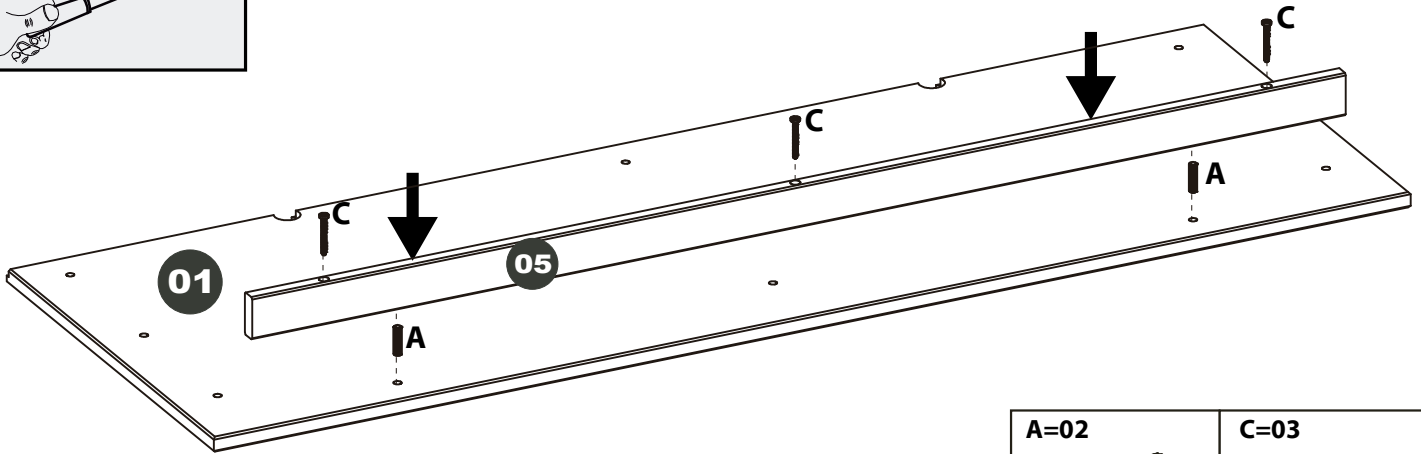
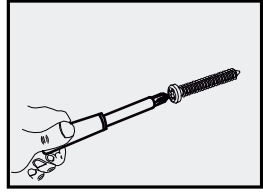
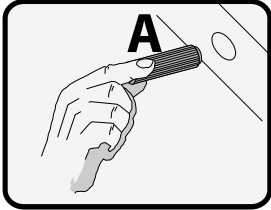




E=09



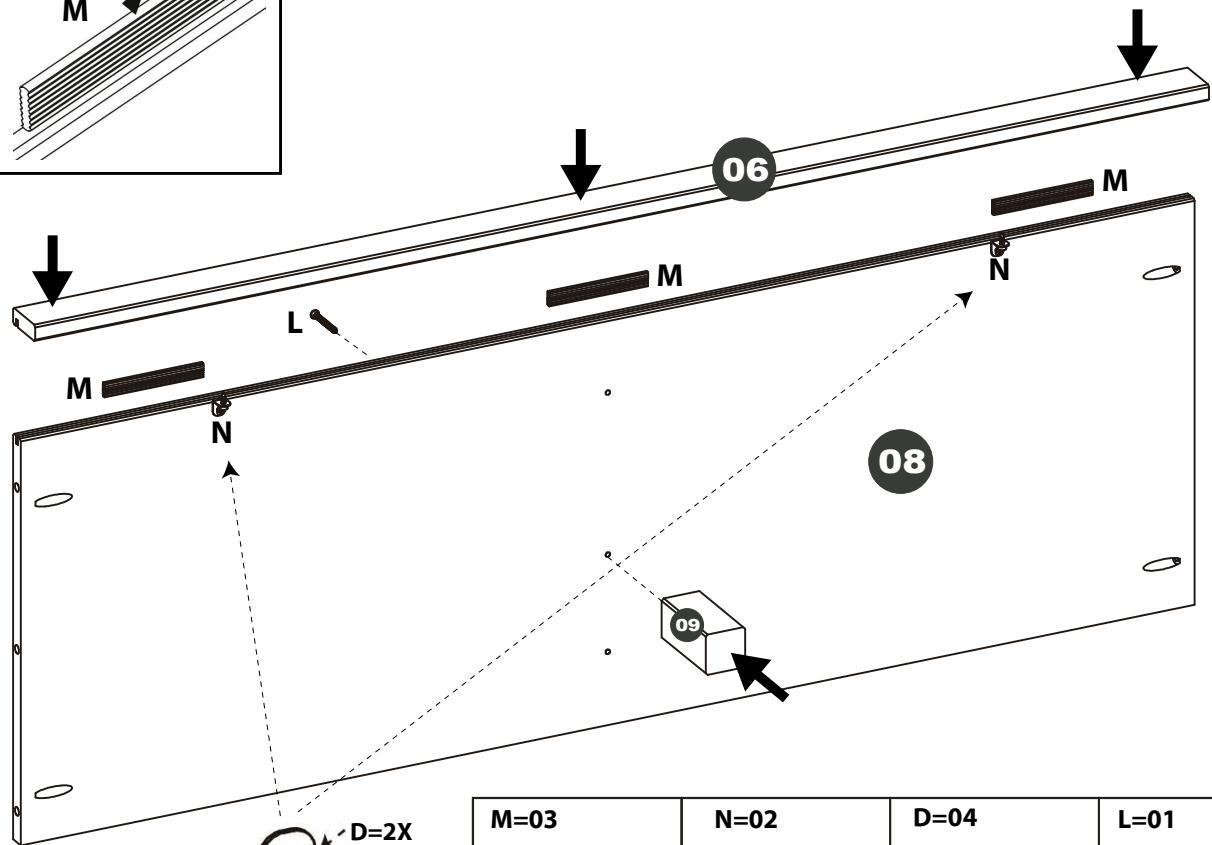
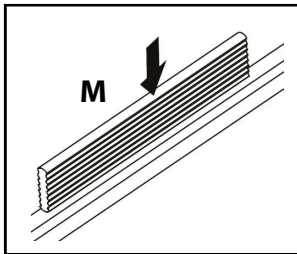
6,0x 10mm





5



A=02	C=03
	
8,0 x 30mm	4,0 x 40mm

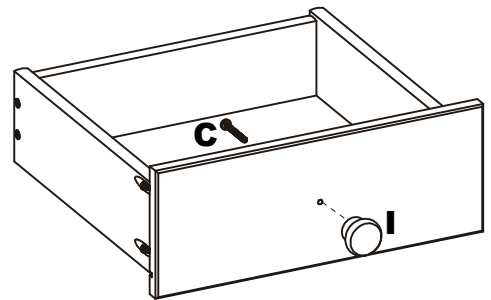
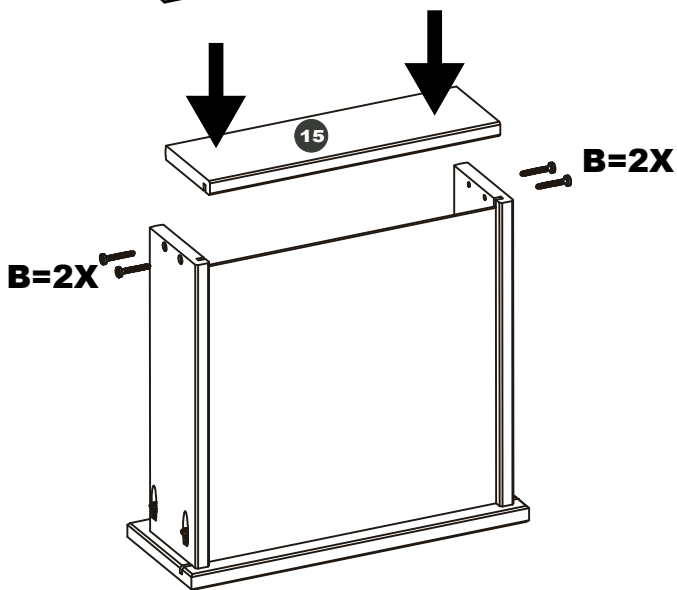
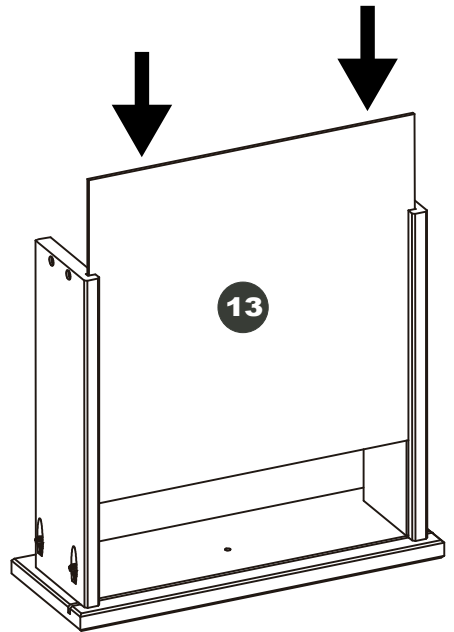
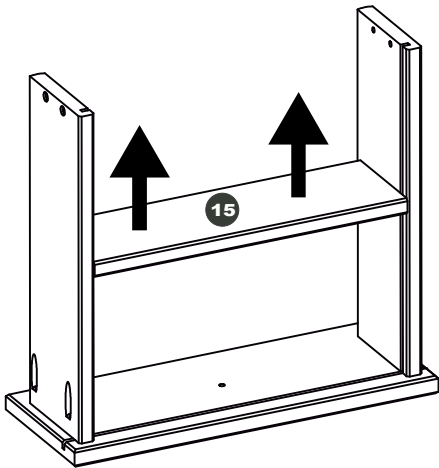
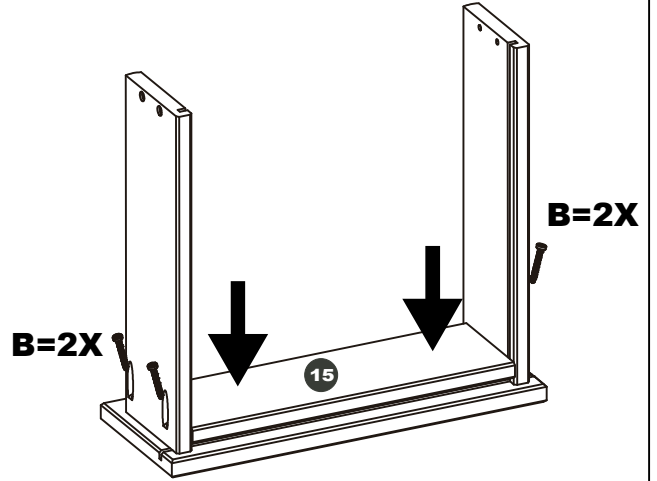
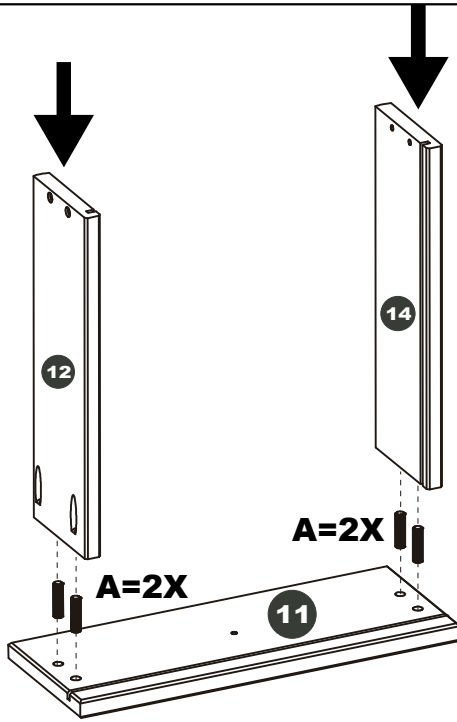
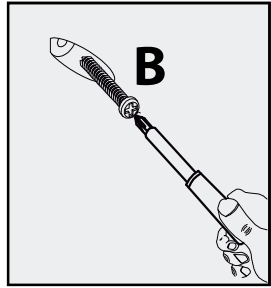
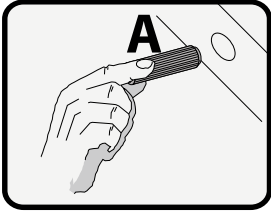
6



M=03	N=02	D=04	L=01
			
		3,0x 16mm	4,0 x 40mm

7

6X

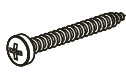


A=24



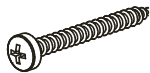
8,0 x 30mm

B=48



3,5 x 30mm

C=06

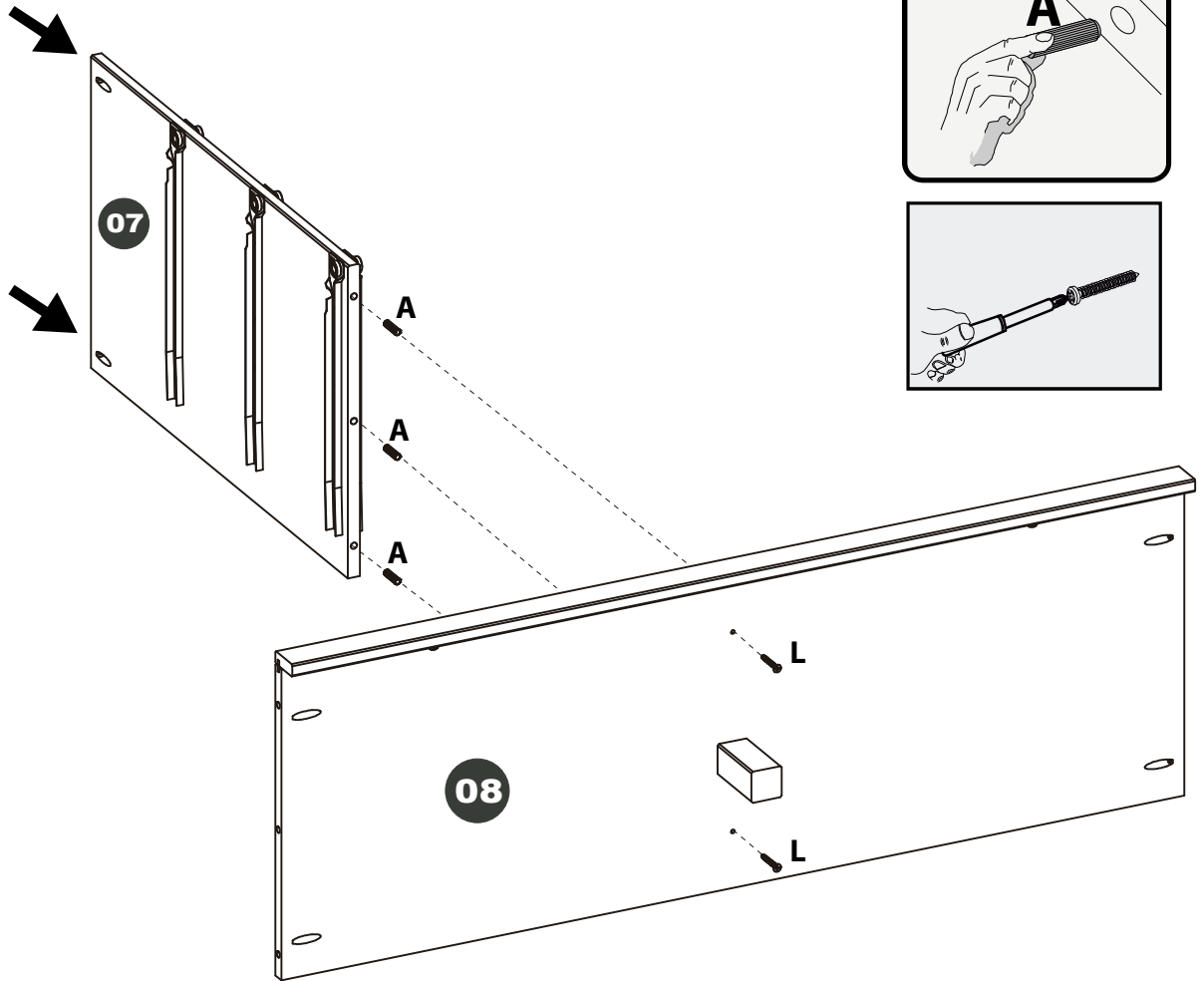


4,0 x 40mm

I=06



8



L=02



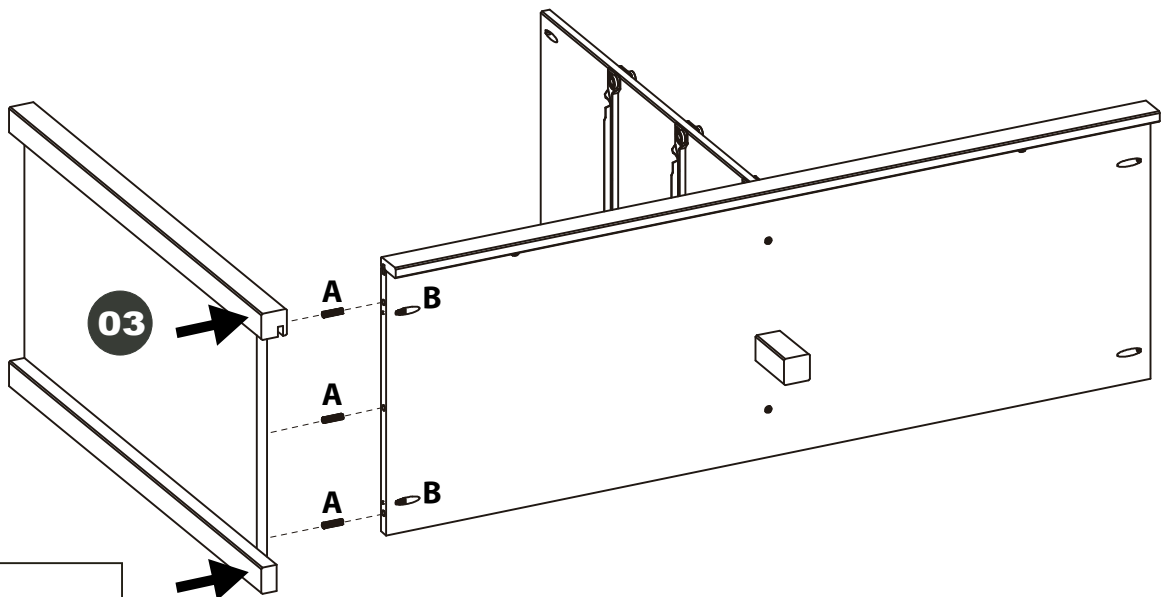
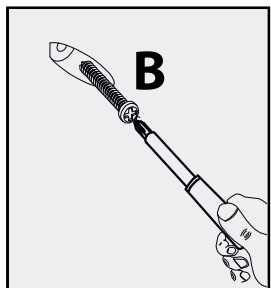
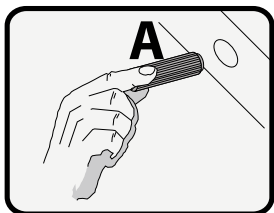
4,0 x 40mm

A=03



8,0 x 30mm

9



A=03



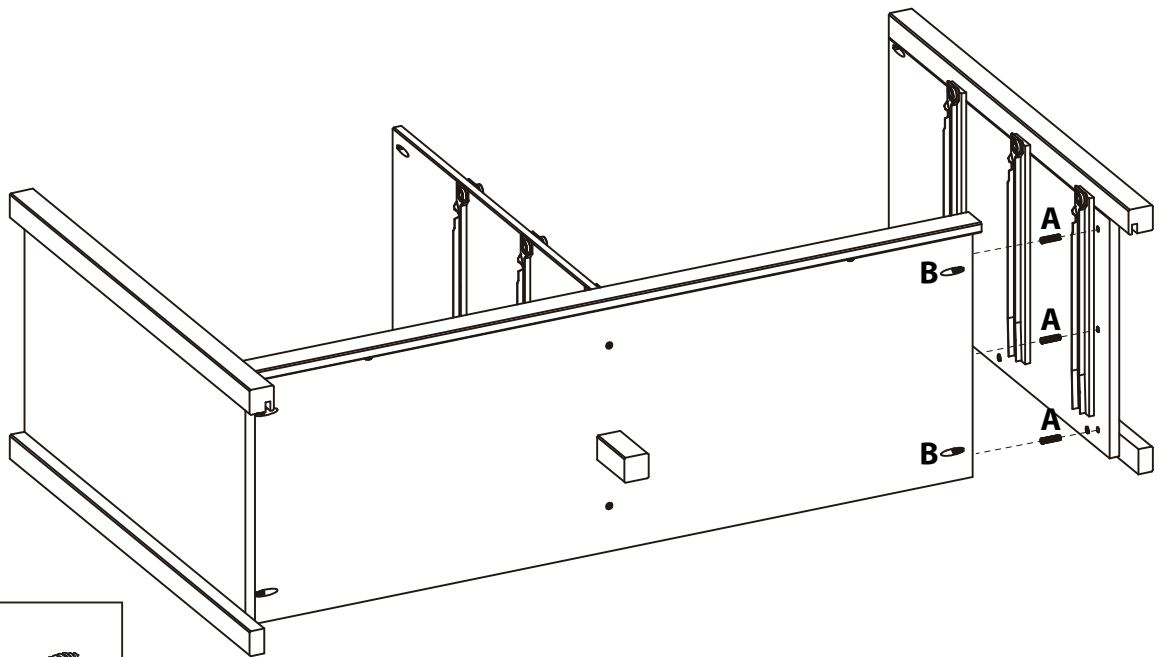
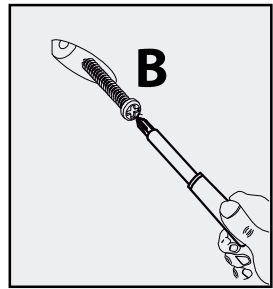
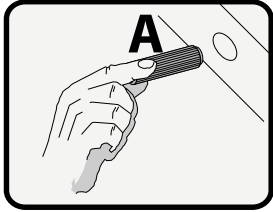
8,0 x 30mm

B=02



3,5 x 30mm

10

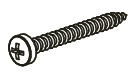


A=03



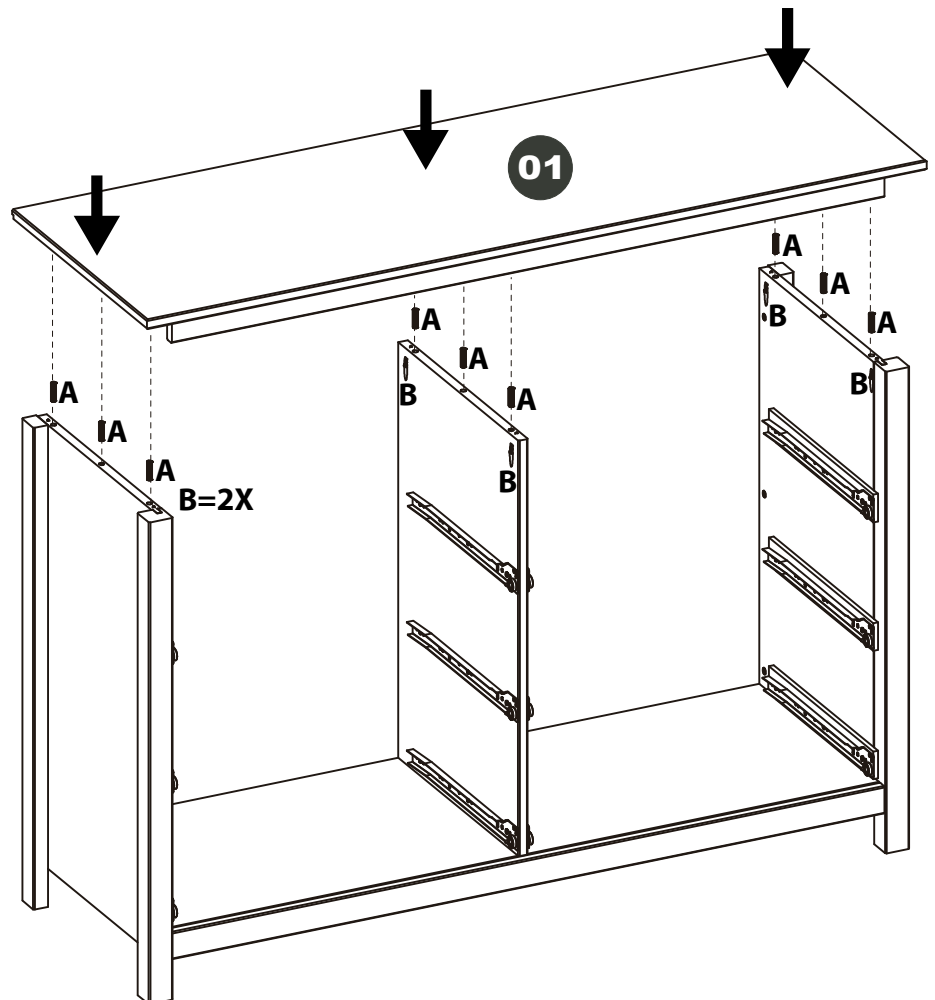
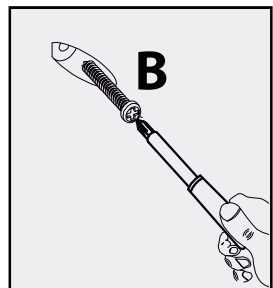
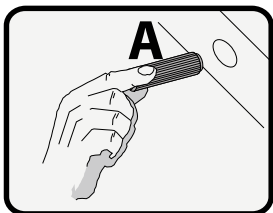
8,0 x 30mm

B=02



3,5 x 30mm

11

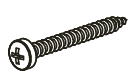


A=09



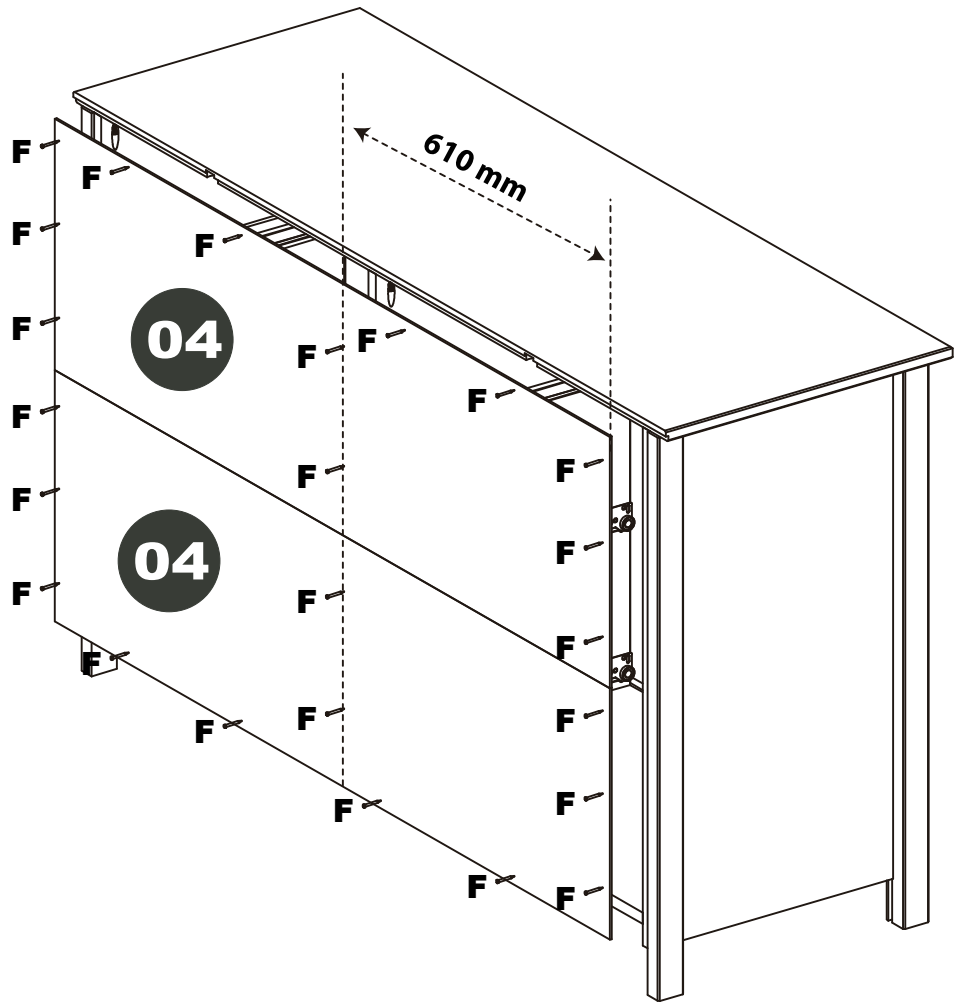
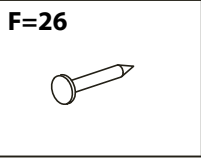
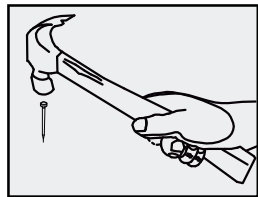
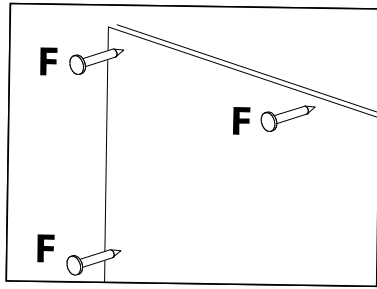
8,0 x 30mm

B=06

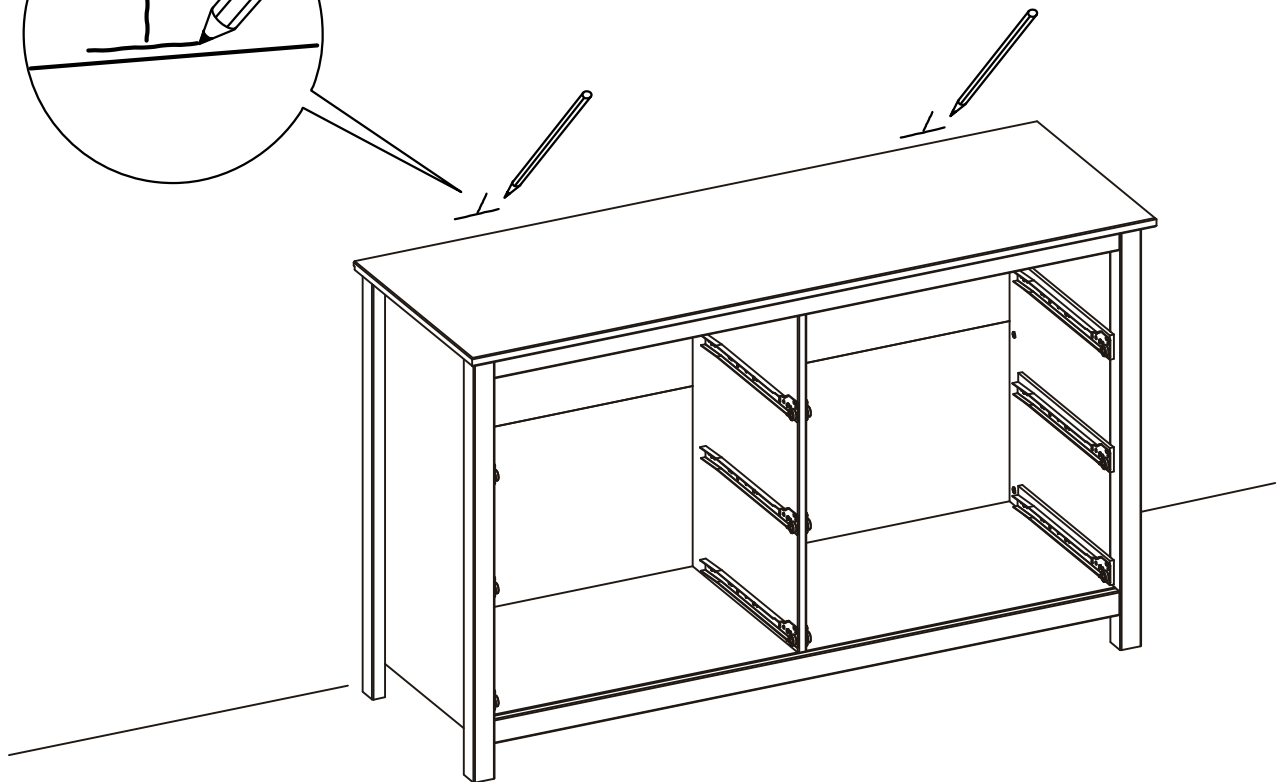
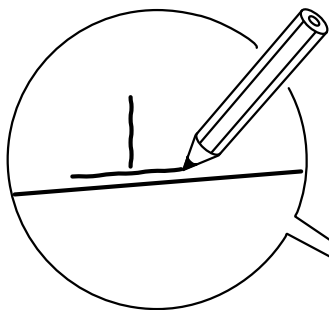


3,5 x 30mm

12



13



14

K=02



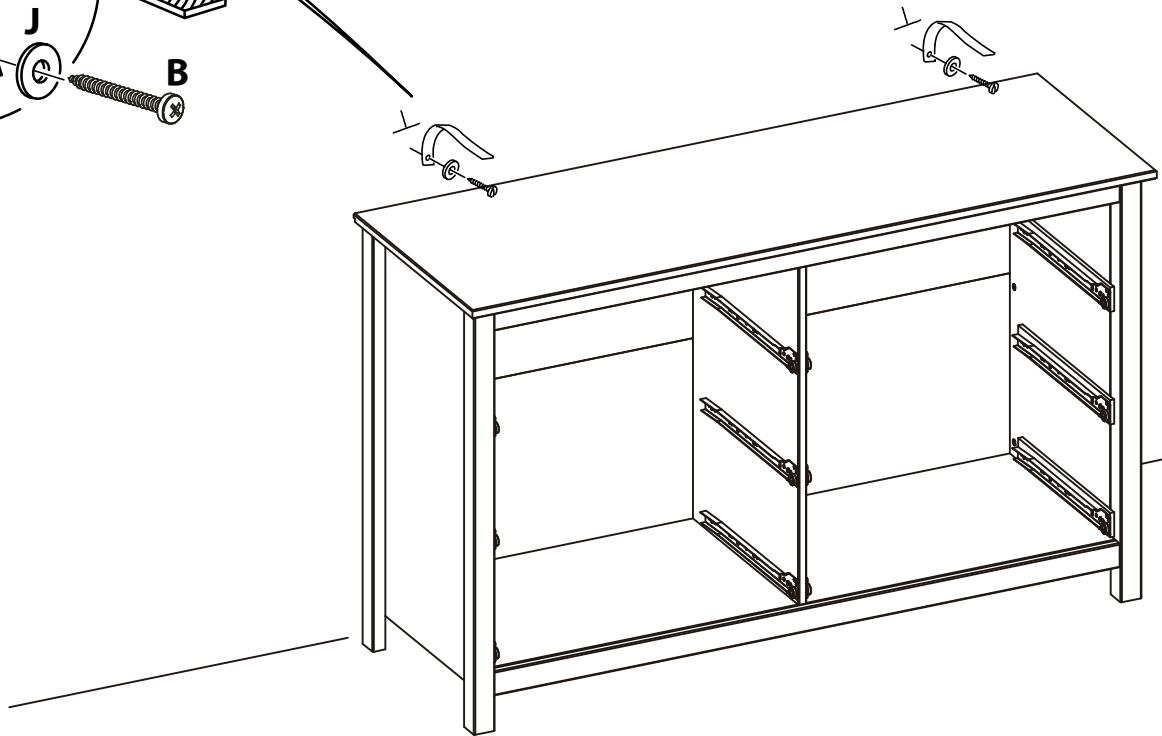
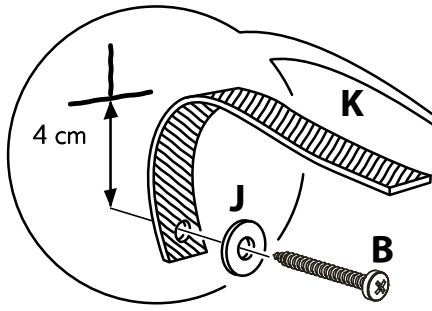
J=02



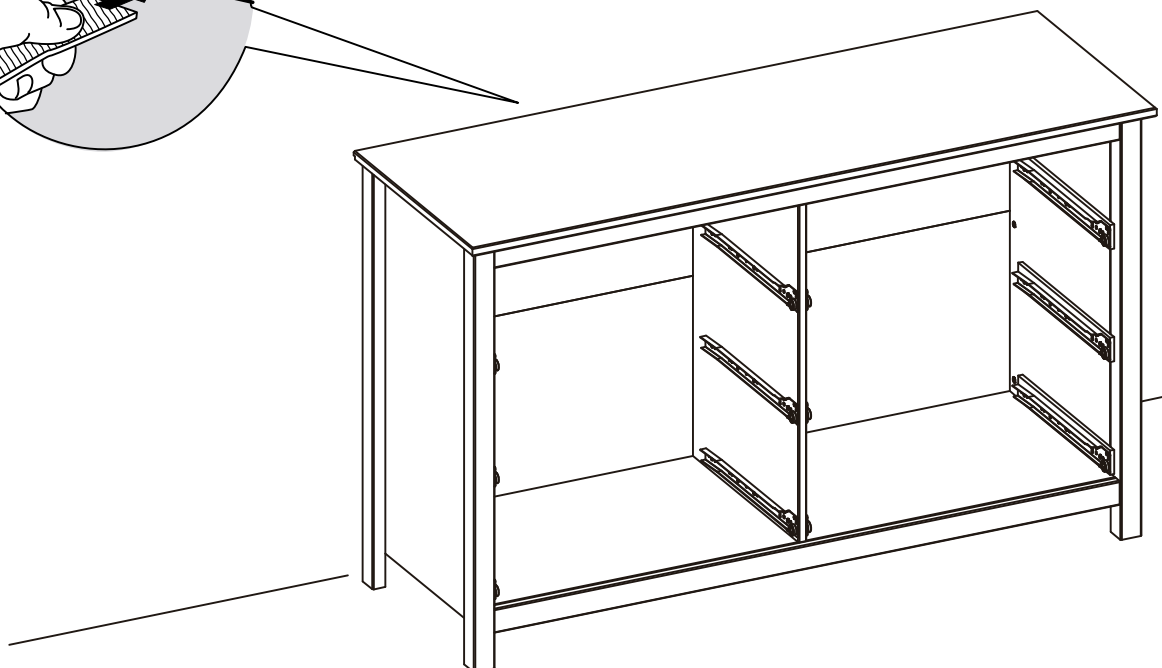
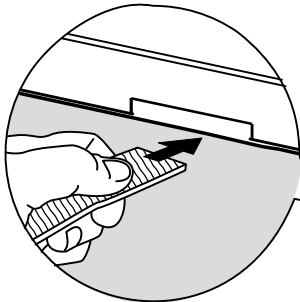
B=02



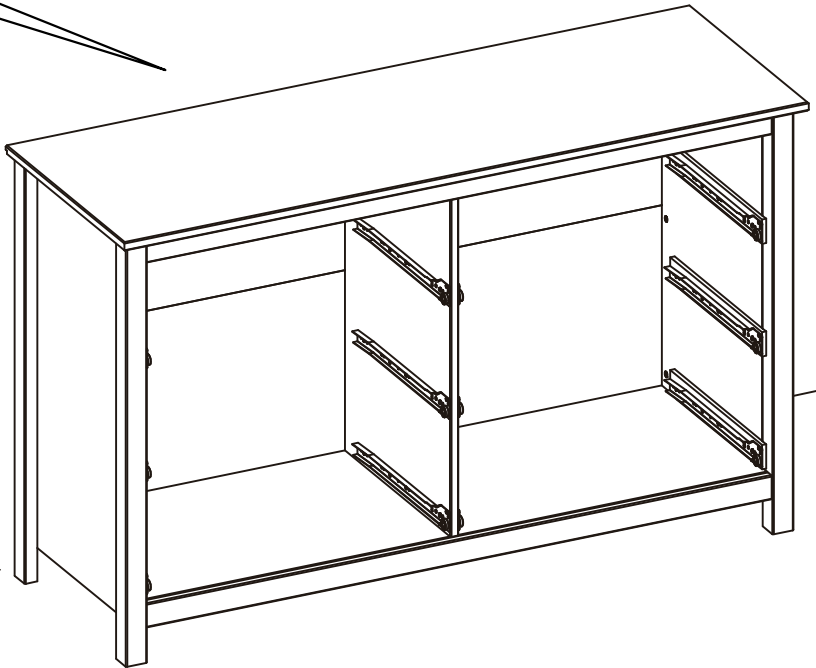
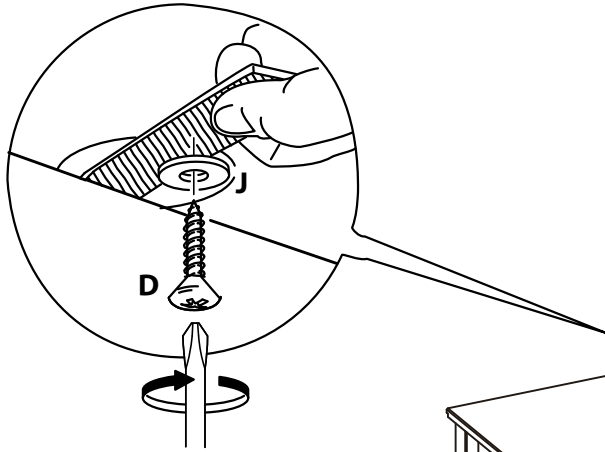
3,5 x 30mm



15



16



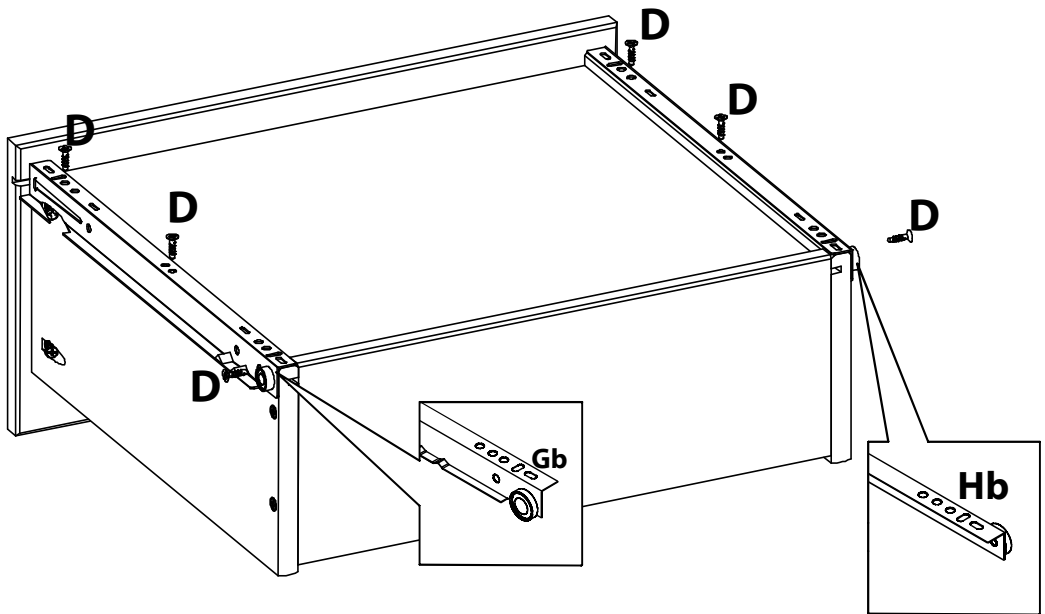
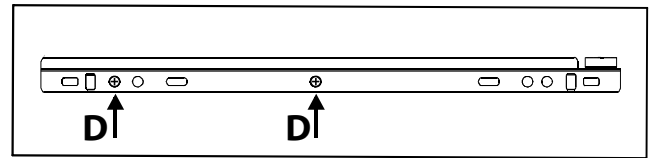
J=02

D=02

3,0x 16mm

17

6X



<p>D=36</p> <p>3,0x 16mm</p>	<p>G=06</p> <p>GA GB</p>	<p>H=06</p> <p>HA HB</p>
-------------------------------------	-------------------------------------	-------------------------------------

18

