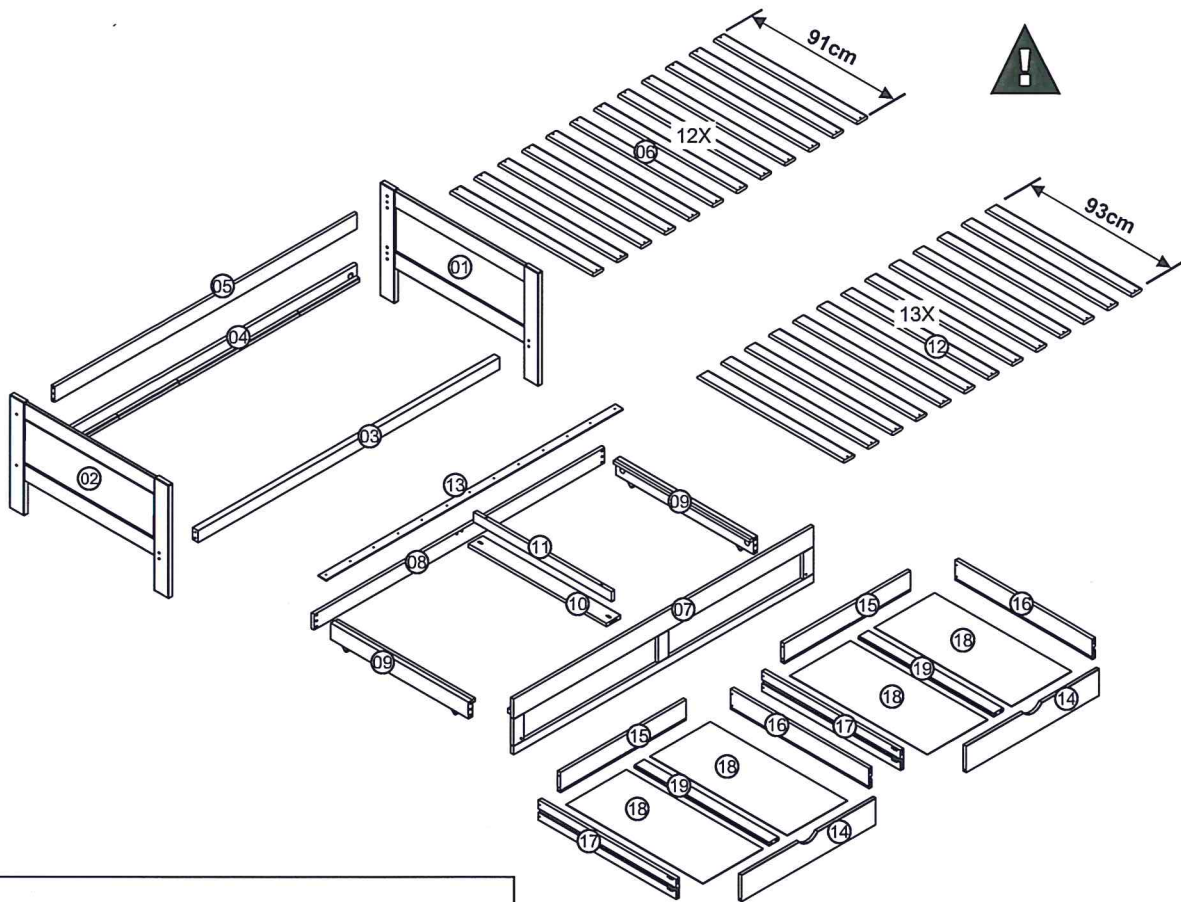
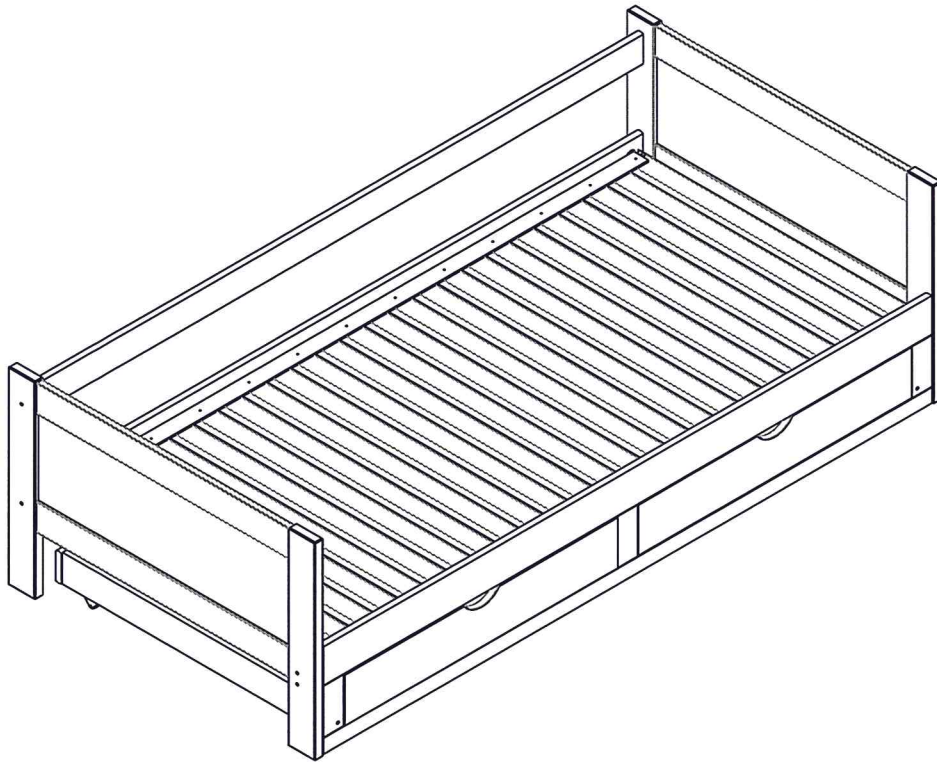
















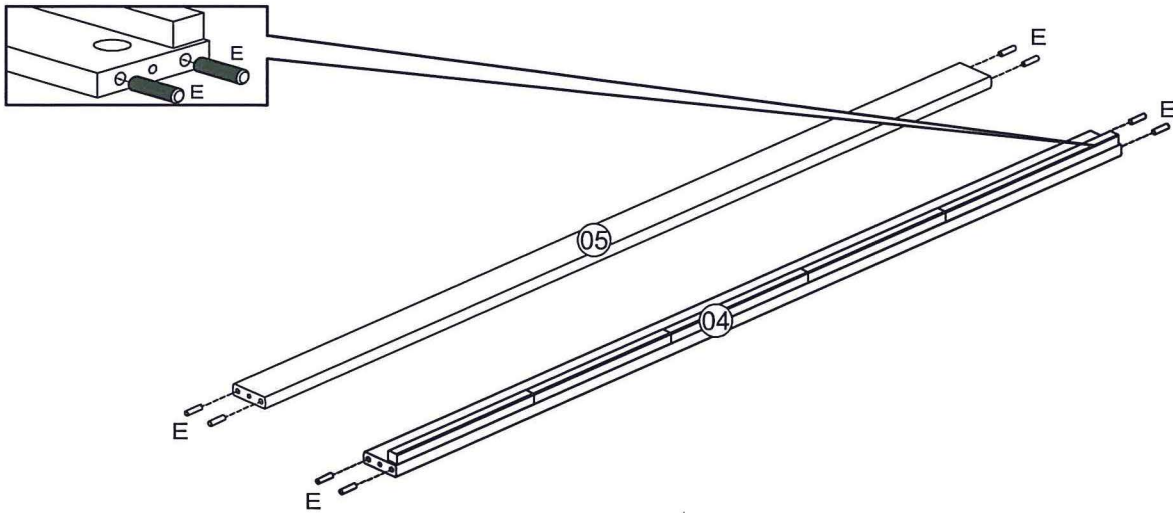


DIANA 8891



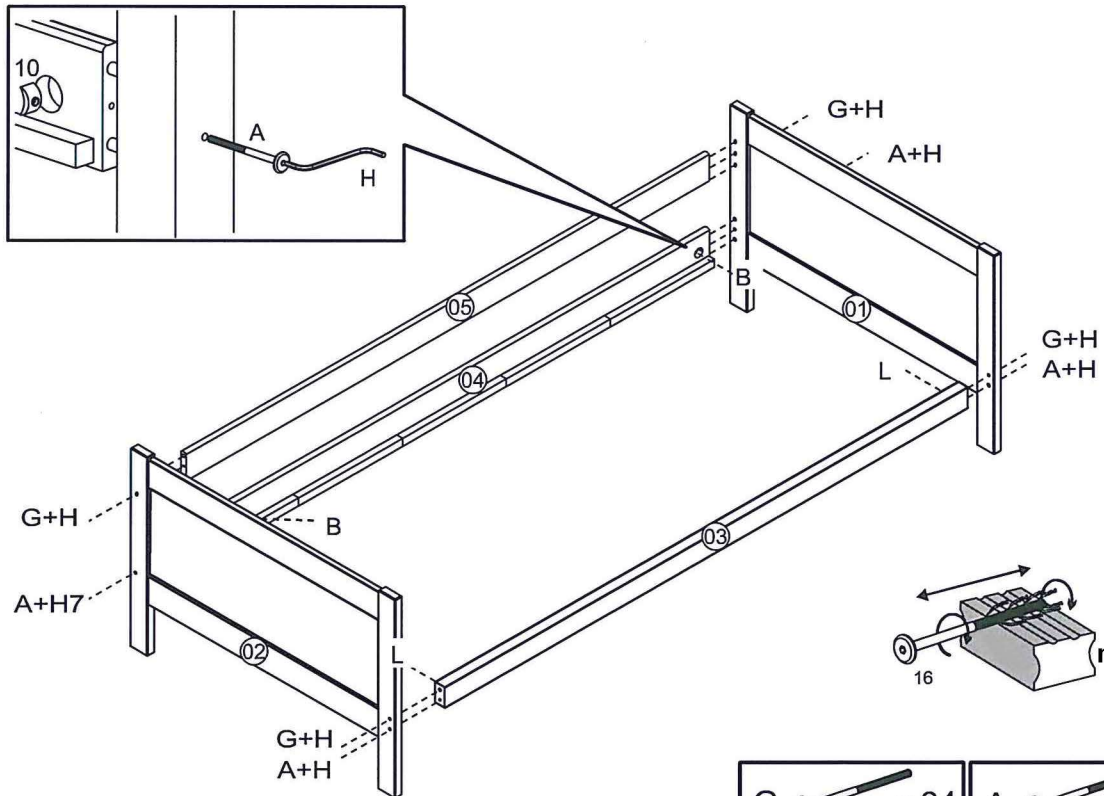
A		1/4" x 70	08
B		1/4"	06
C		4,0 x 35	47
D		RD 20	04
E		10x50	08
F		10x40	12
G		7x70	04
H			01
I		8,95cm	02
J			02
L		1/4"	02
M		8x35	16
N		4,5x60	02
O		4,0x30	08
P		4,0x20	21
Q		3,5X16	04






1 ▶



E  x 08
 $\varnothing 10 \times 50$

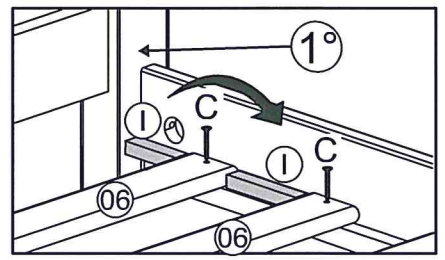
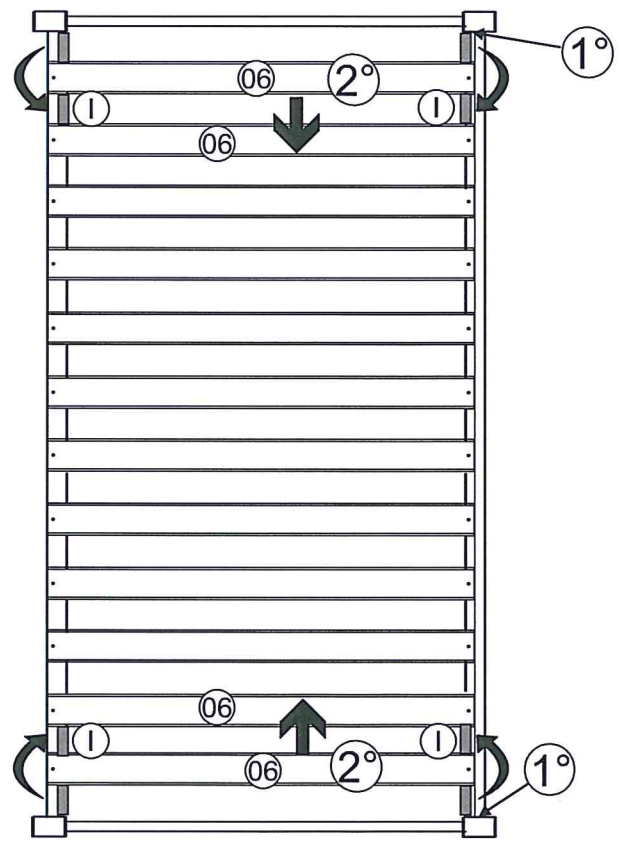
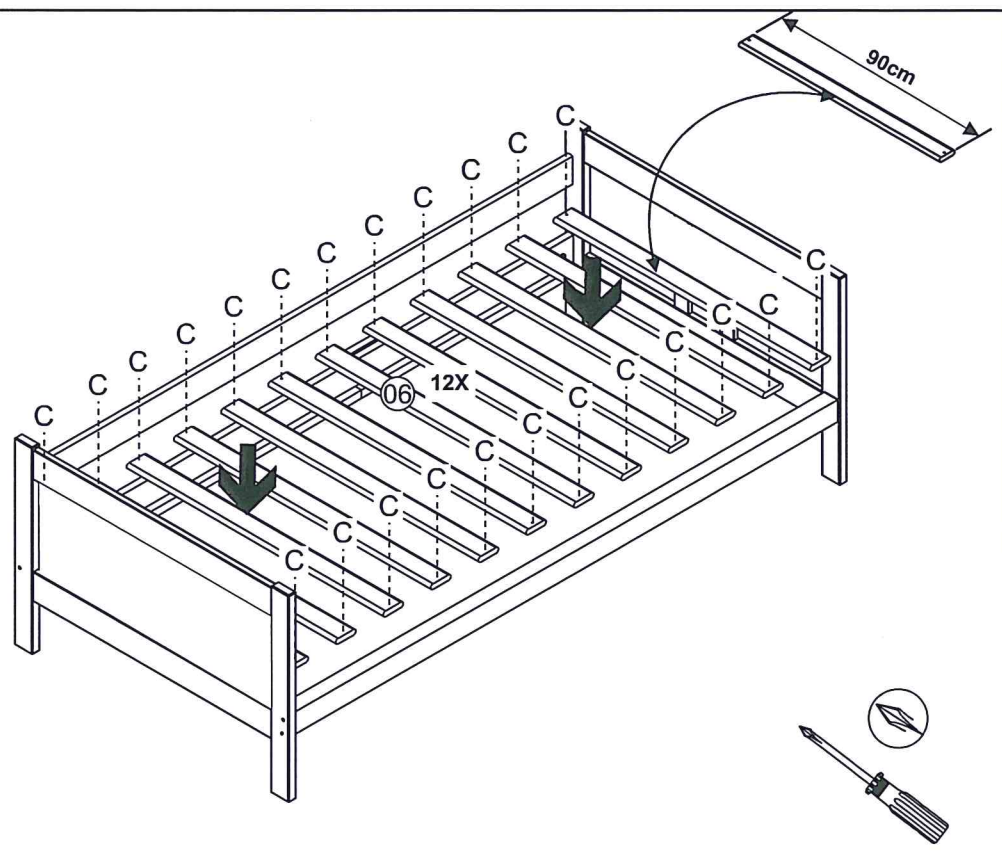
2 ▶





L  x 02	G  7 x 70 x 04	A  1/4 x 70 x 04
	H  x 01	B  x 02

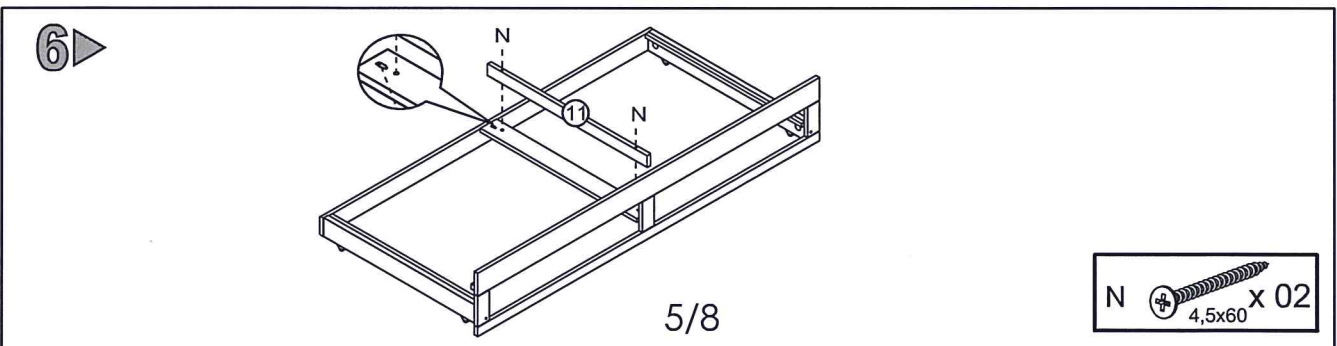
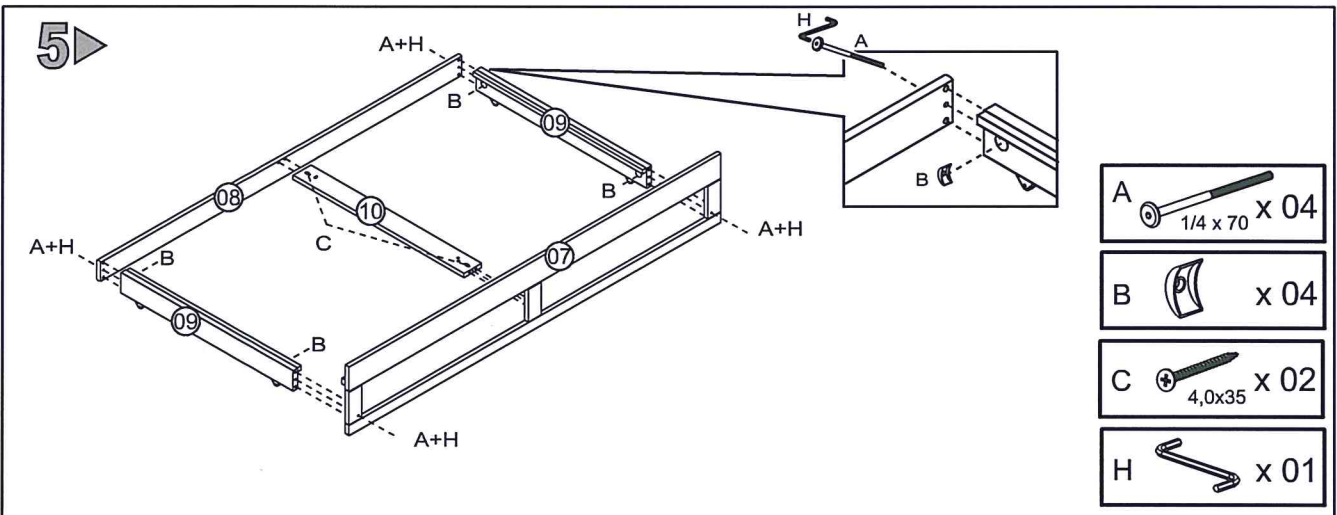
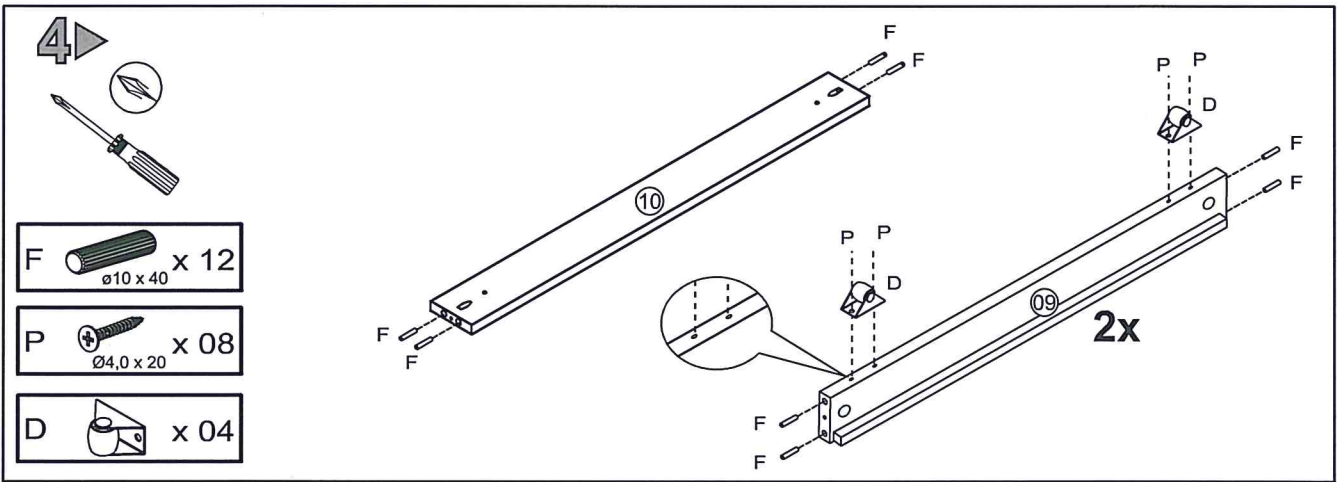
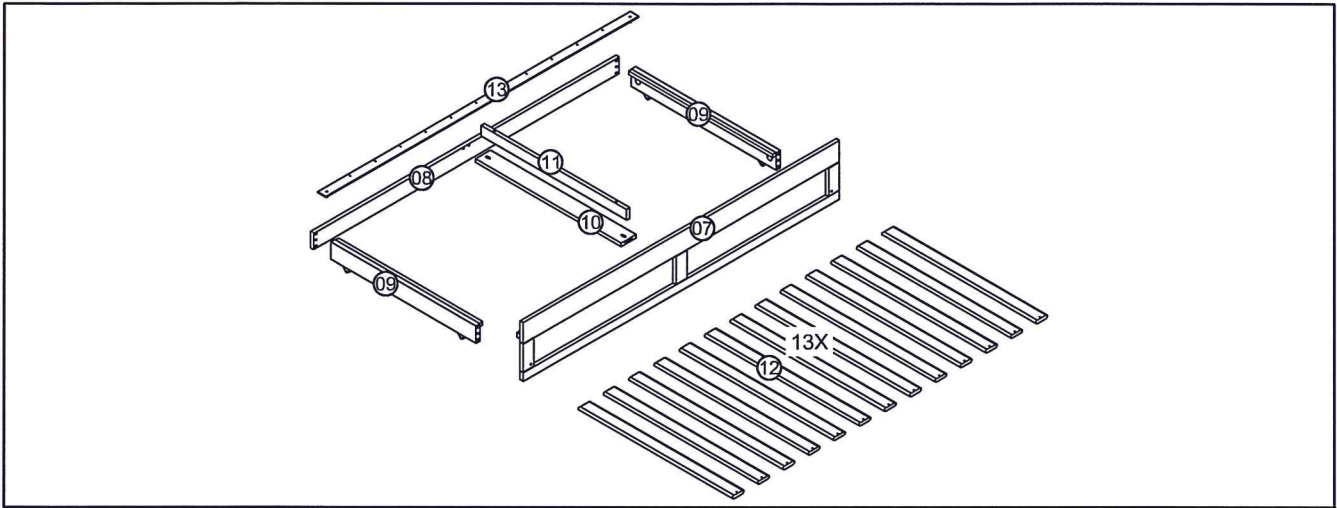
3/8

3 ▶

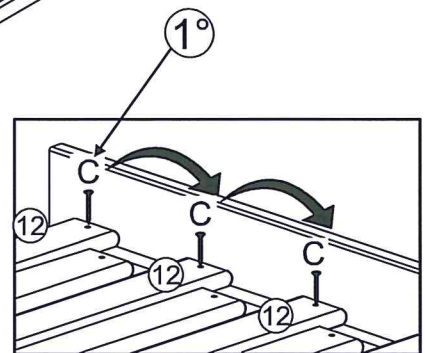
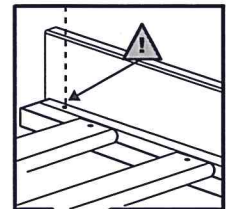
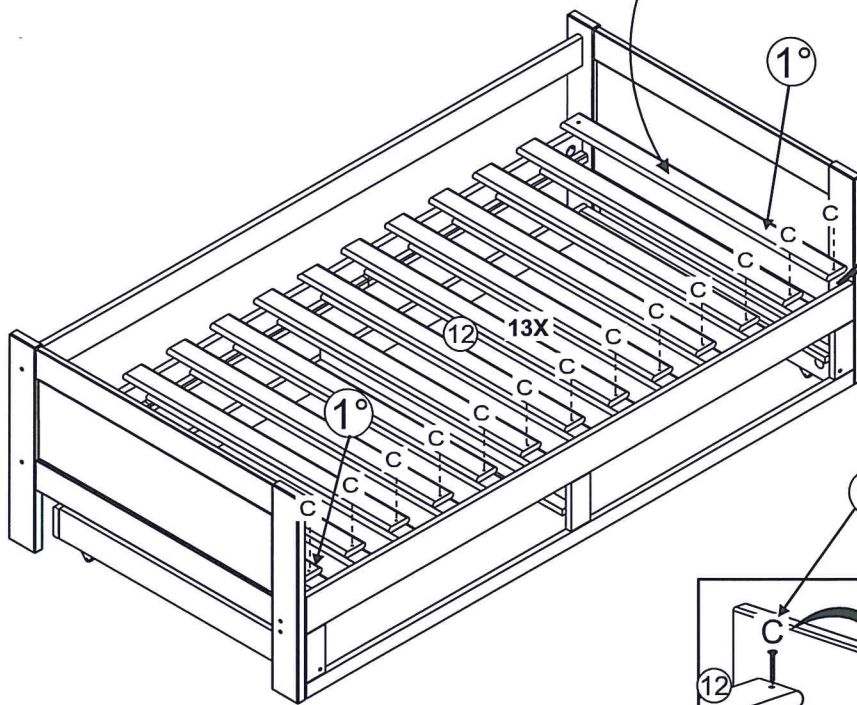
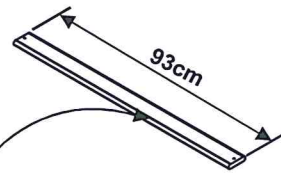
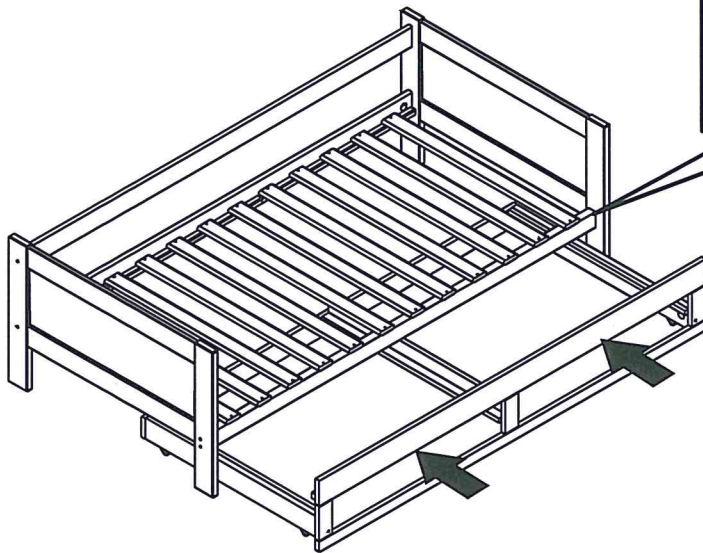



4/8

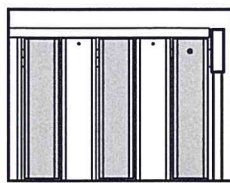
- C  4,0 x 35 x 24
- I  8.95 cm x 02



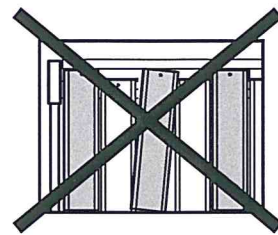
7 ▶



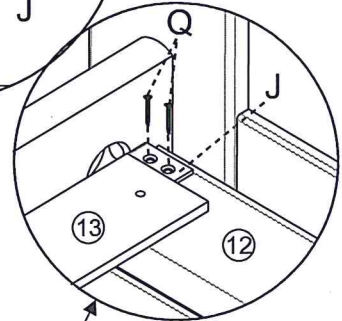
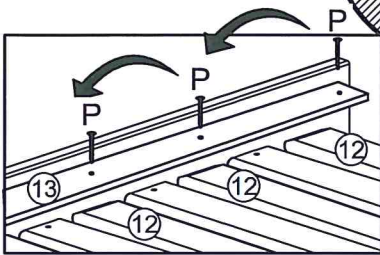
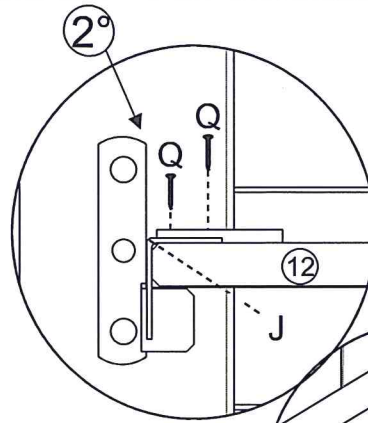
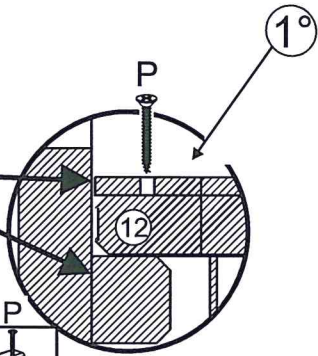
C  X 13
4,0 x 35



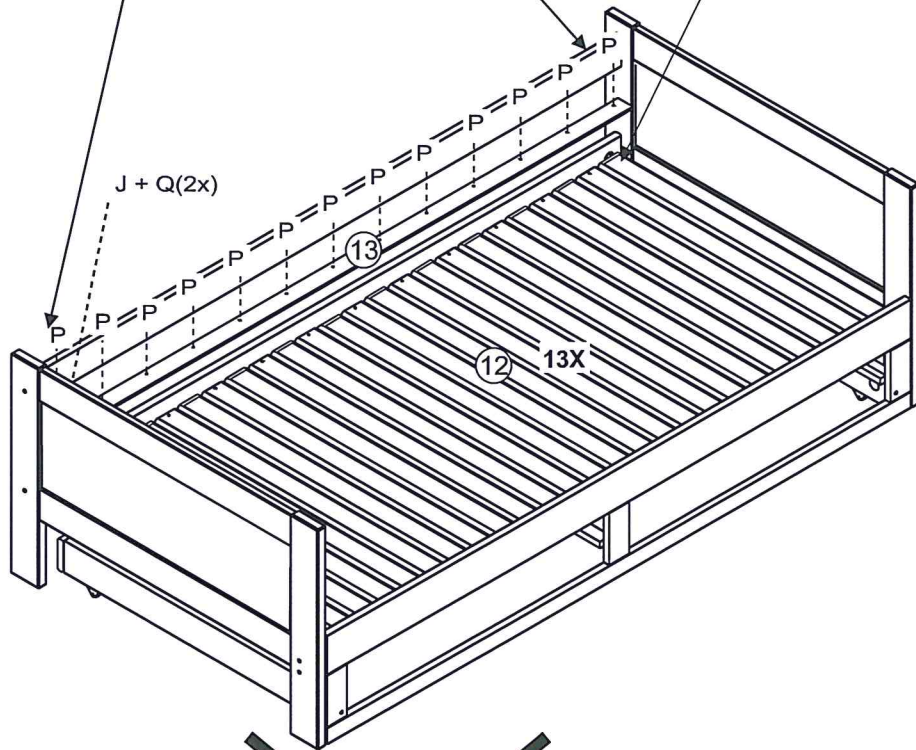
✓
6/8



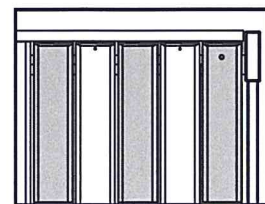
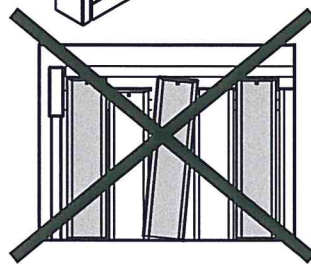
8 ▶



J + Q(2x)



J		x 02
P		x 13 4,0 x 20
Q		x 04 3,5 x 16 X 04



7/8

