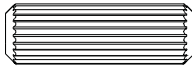

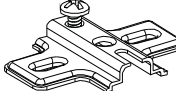
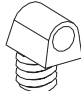
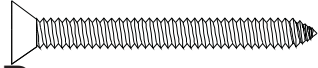



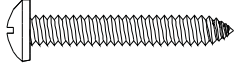
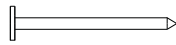

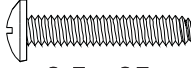
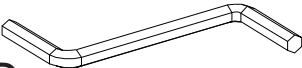

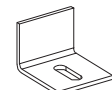

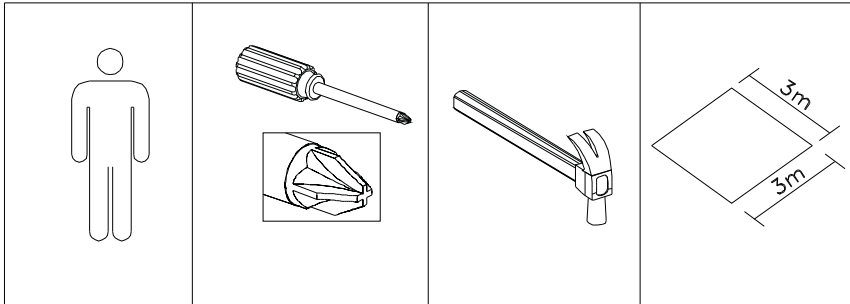
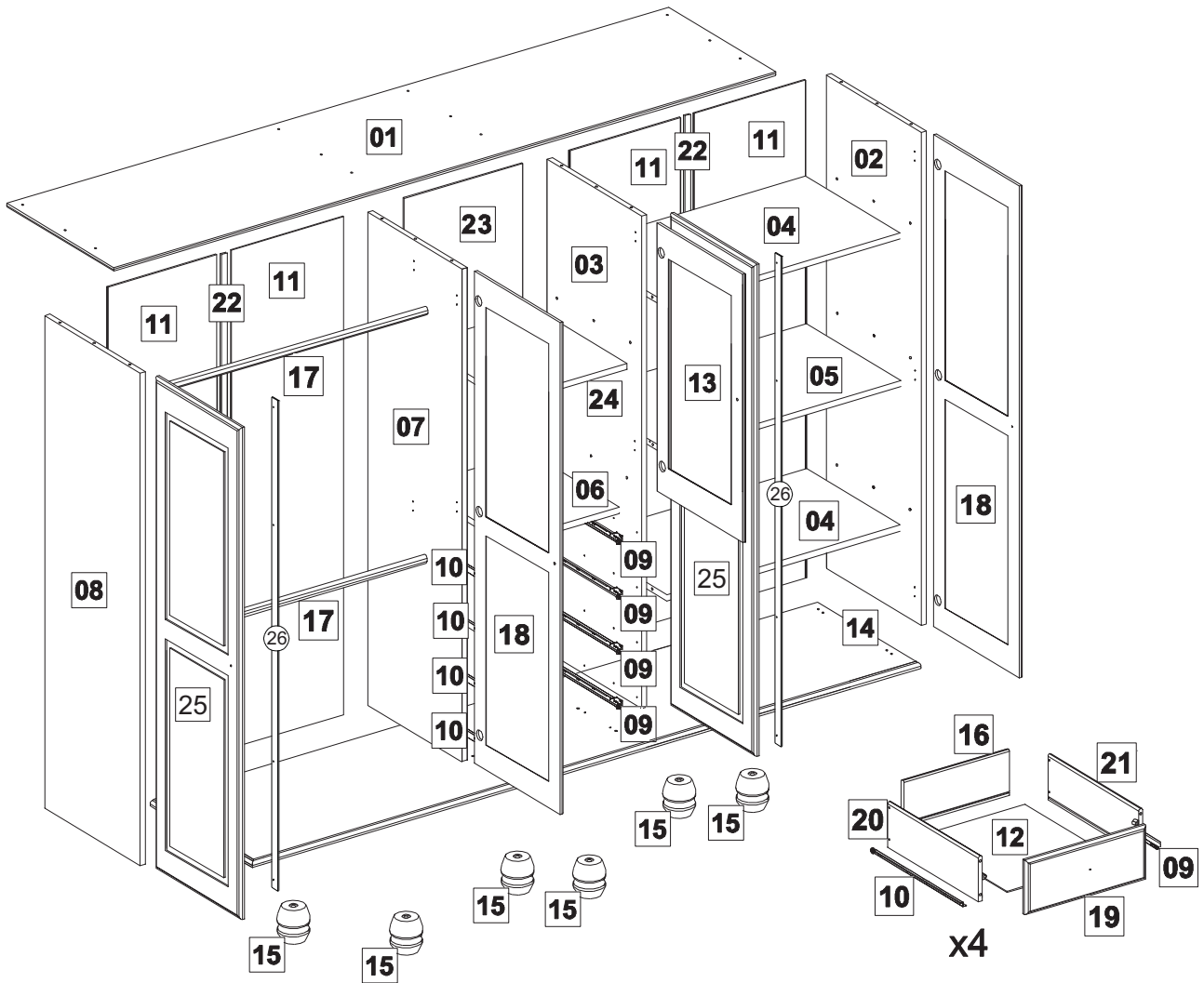
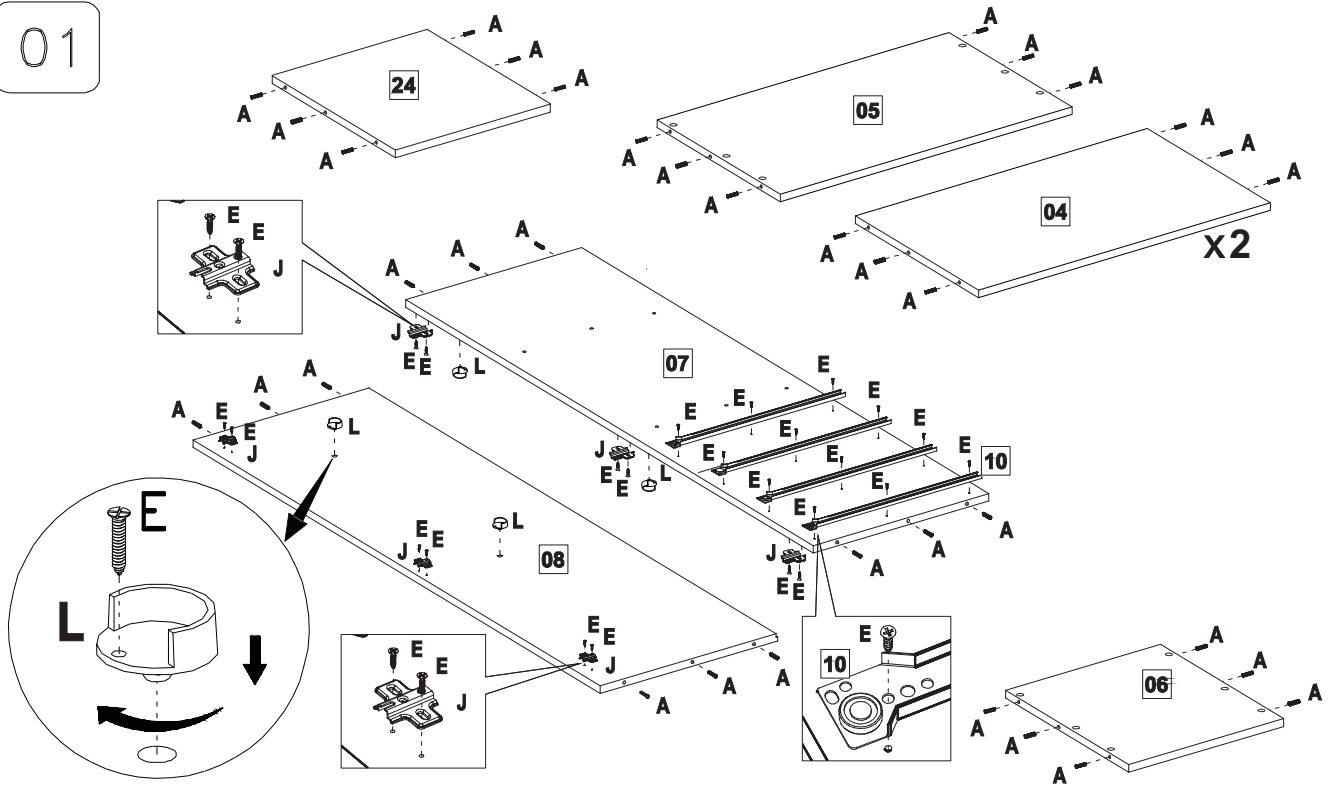


A  8.0 x 25 70x	E  3.5 x 14 110x	J  14x	N  08x
B  4.0 x 40 33x	F  7.0 x 50 06x	K  14x	O  20x
C  4.0 x 25 24x	G  10 x 10 84x	L  04x	P  3.5 x 35 12x
D  01x	H  09x	M  02x	Q  3.0 x 20 10x

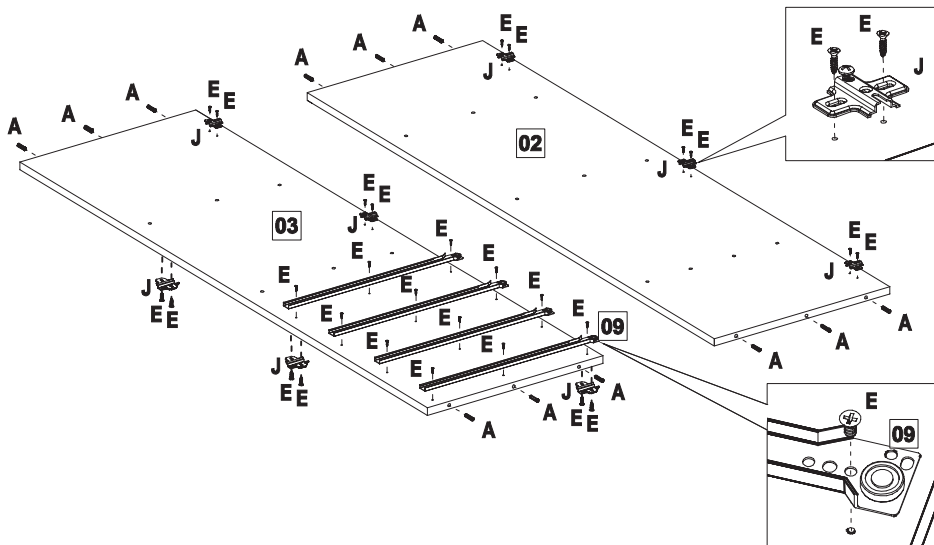


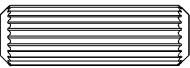

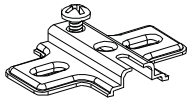
01



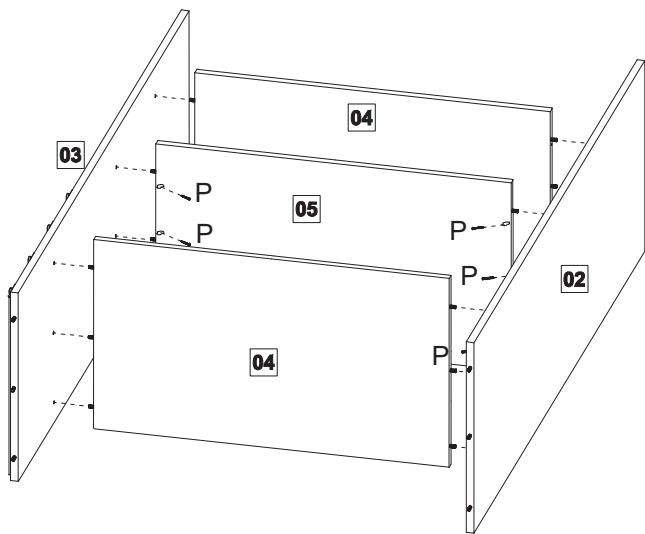
 <p>A 8.0 x 25 42x</p>	 <p>E 3.5 x 14 28x</p>	 <p>J 06x</p>	 <p>L 04x</p>
--	--	--	---

02

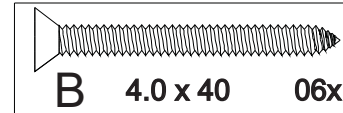
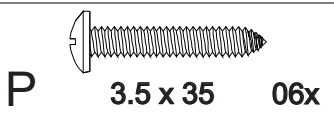
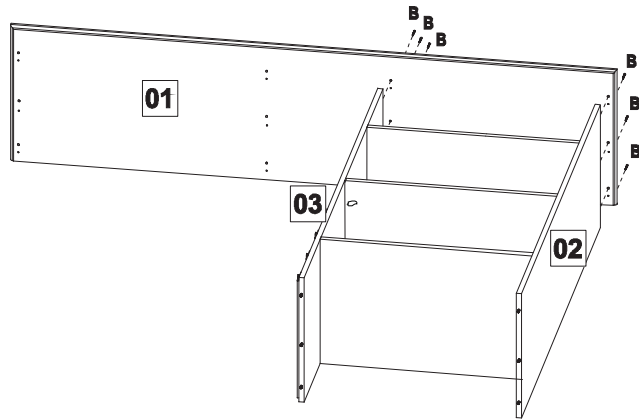


 <p>A 8.0 x 25 12x</p>	 <p>E 3.5 x 14 28x</p>	 <p>J 08x</p>
--	--	--

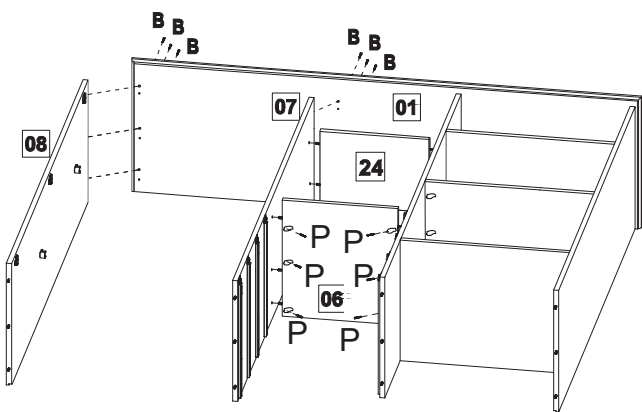
03



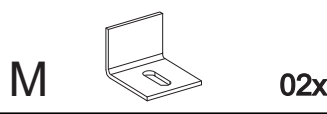
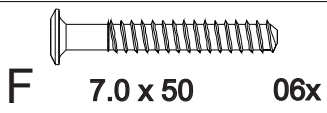
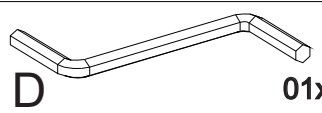
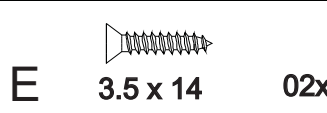
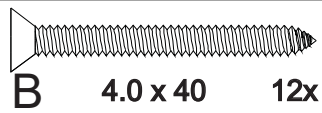
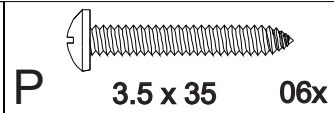
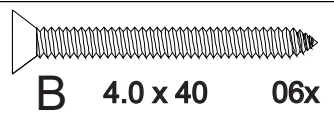
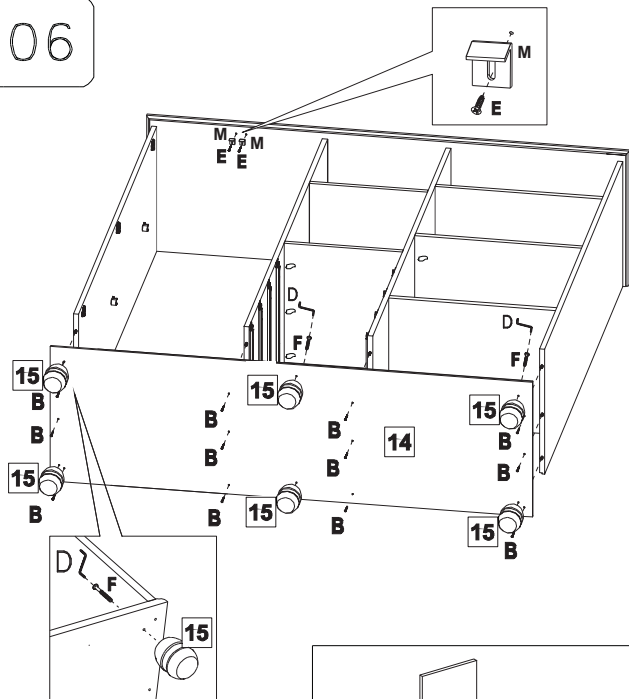
04



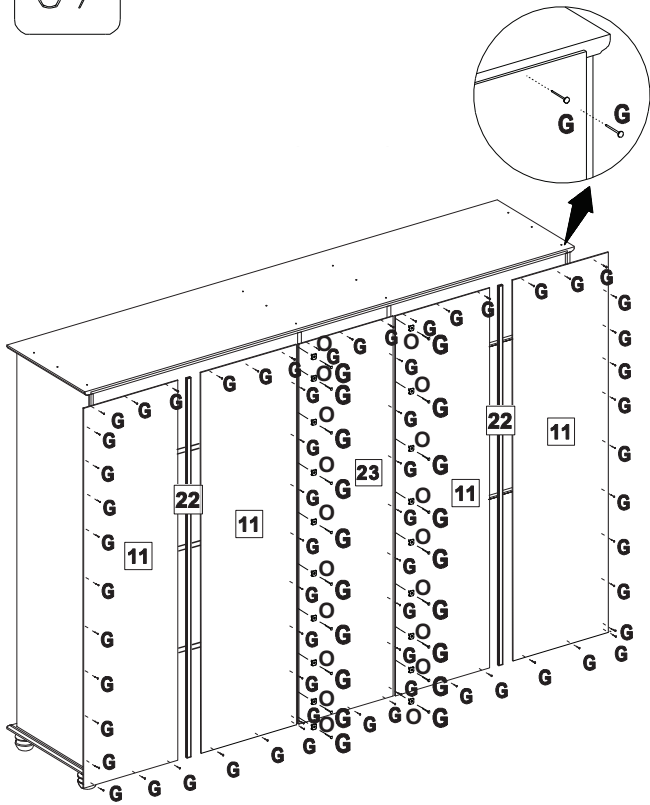
05



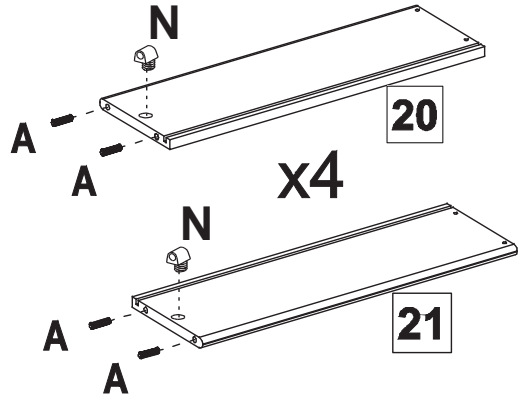
06



07



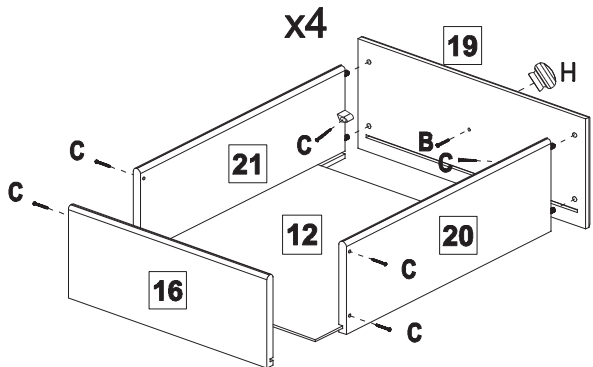
08



G 10 x 10 84x O 20x

A 8.0 x 25 16x N 08x

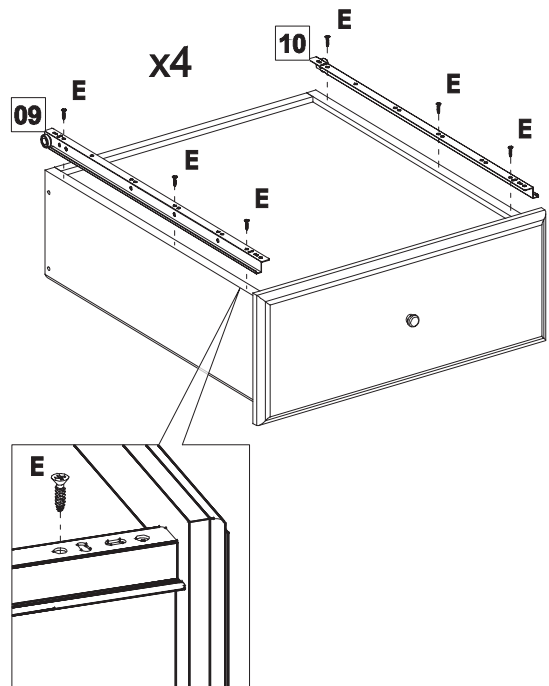
09



B 4.0 x 40 04x

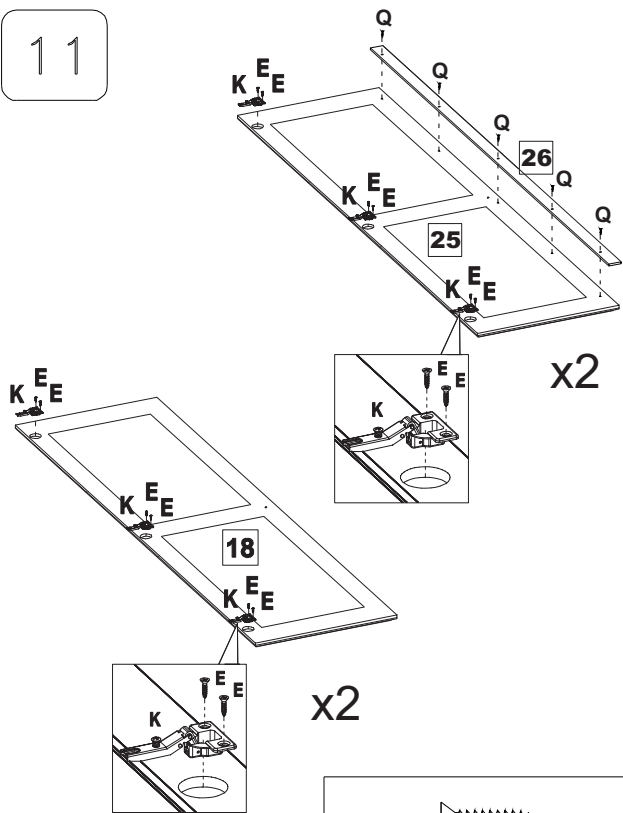
C 4.0 x 25 24x H 04x

10



E 3.5 x 14 24x

11

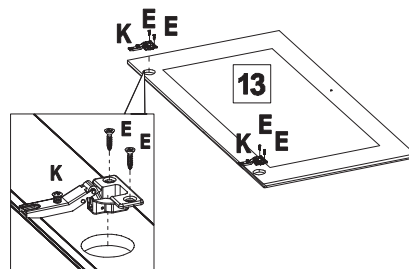


x2

x2

Q 3.0 x 20 10x

12



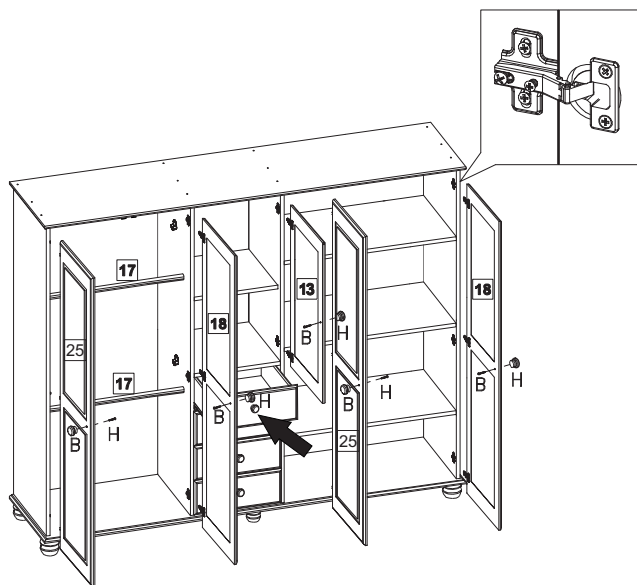
E 3.5 x 14 24x

K 12x

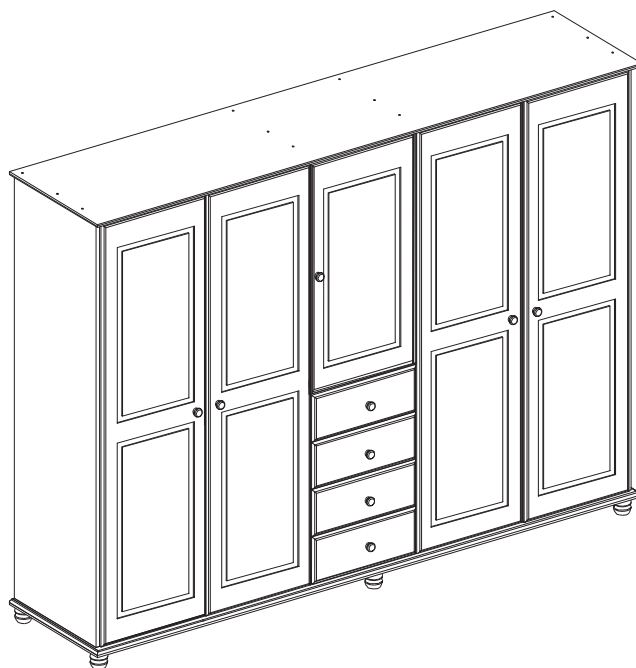
E 3.5 x 14 04x

K 02x

13



14



B 4.0 x 40 05x

H 05x