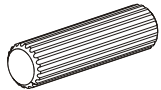

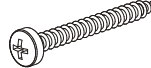
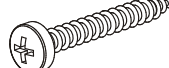

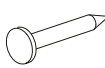
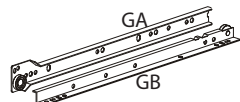
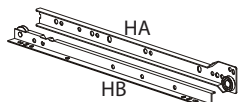
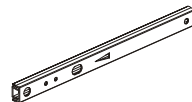

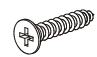
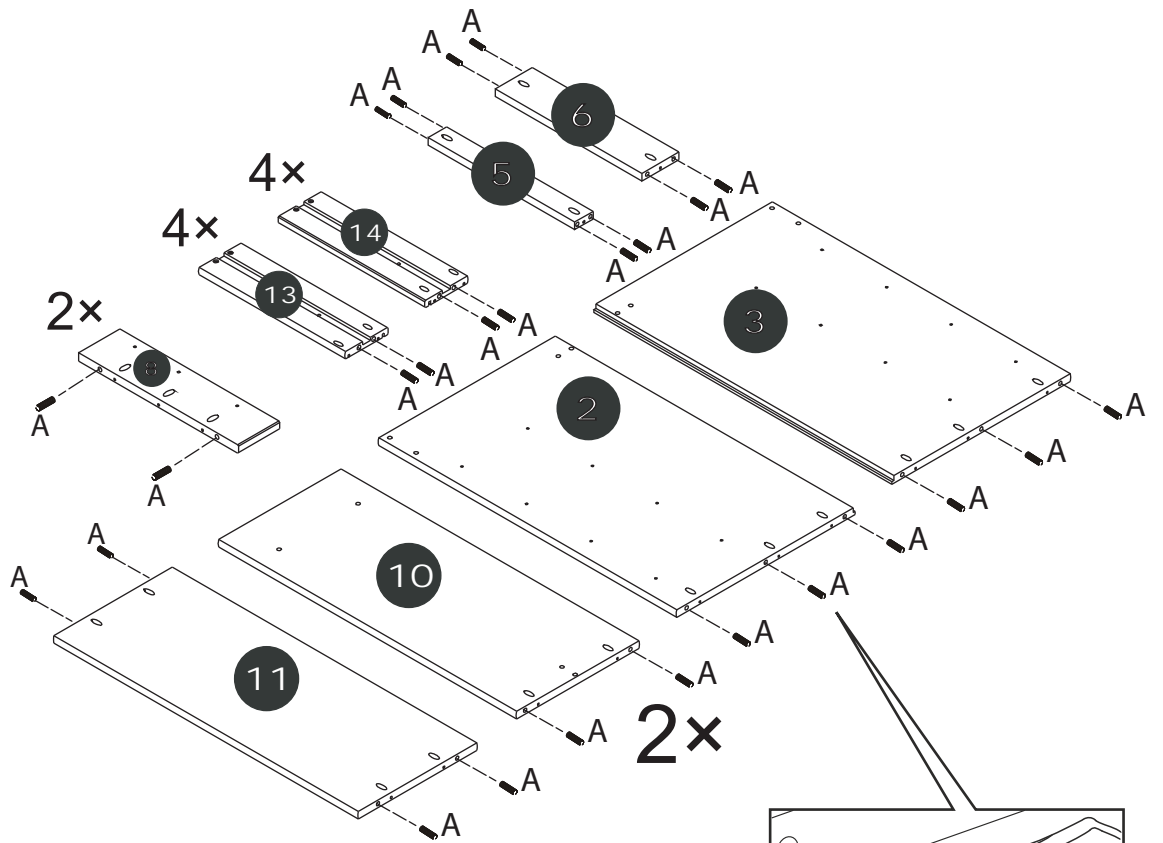


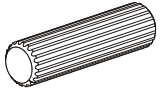
4x

<p>A × 42</p>  <p>8 × 30 mm</p>	<p>B × 22</p>  <p>6 × 10 mm</p>	<p>C × 58</p>  <p>3,5 × 30 mm</p>	<p>D × 6</p>  <p>4 × 40 mm</p>	<p>E × 8</p>  <p>M4 × 10 mm</p>
<p>F × 15</p> 	<p>G × 1</p> 	<p>H × 1</p> 	<p>I × 8</p> 	<p>J × 4</p> 
<p>L × 6</p>  <p>3 × 16 mm</p>				

# 1

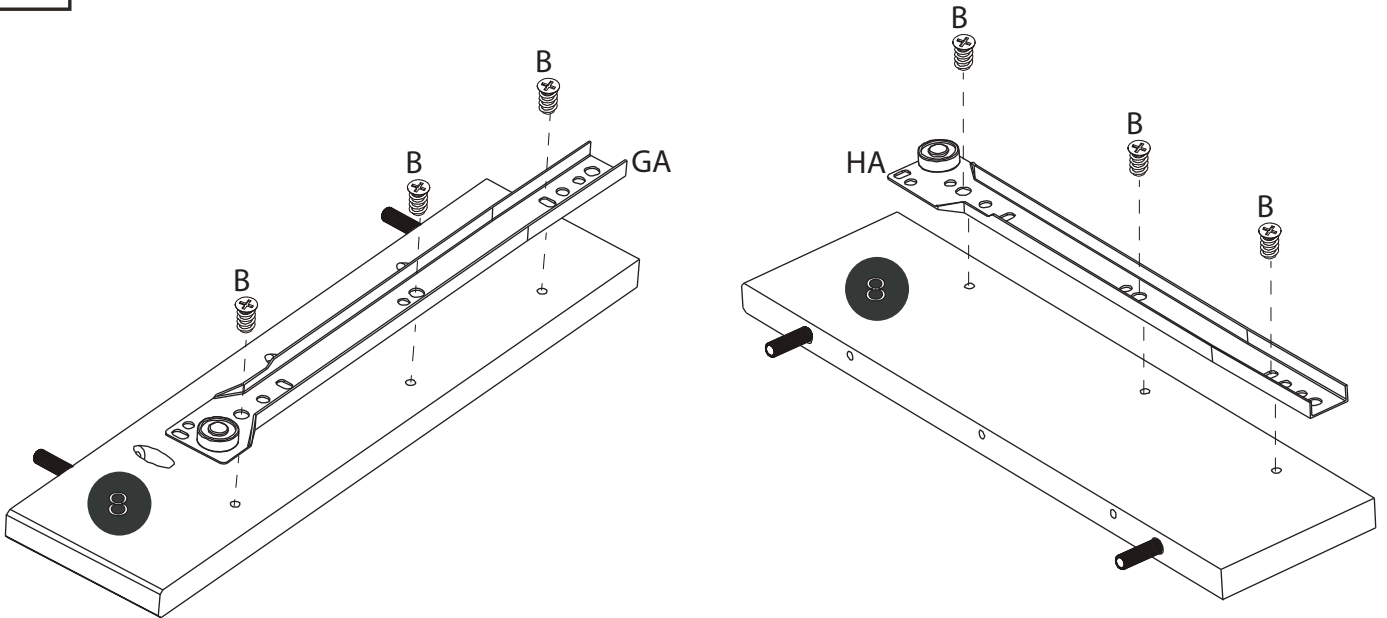


A × 42

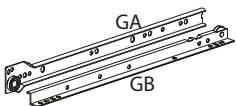


8 × 30 mm

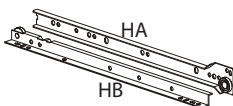
# 2



G × 1



H × 1

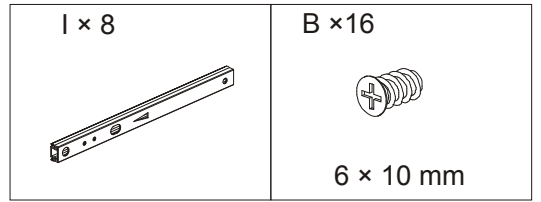
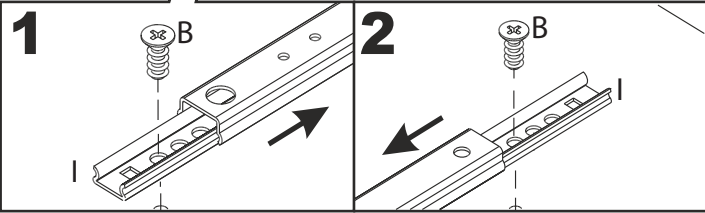
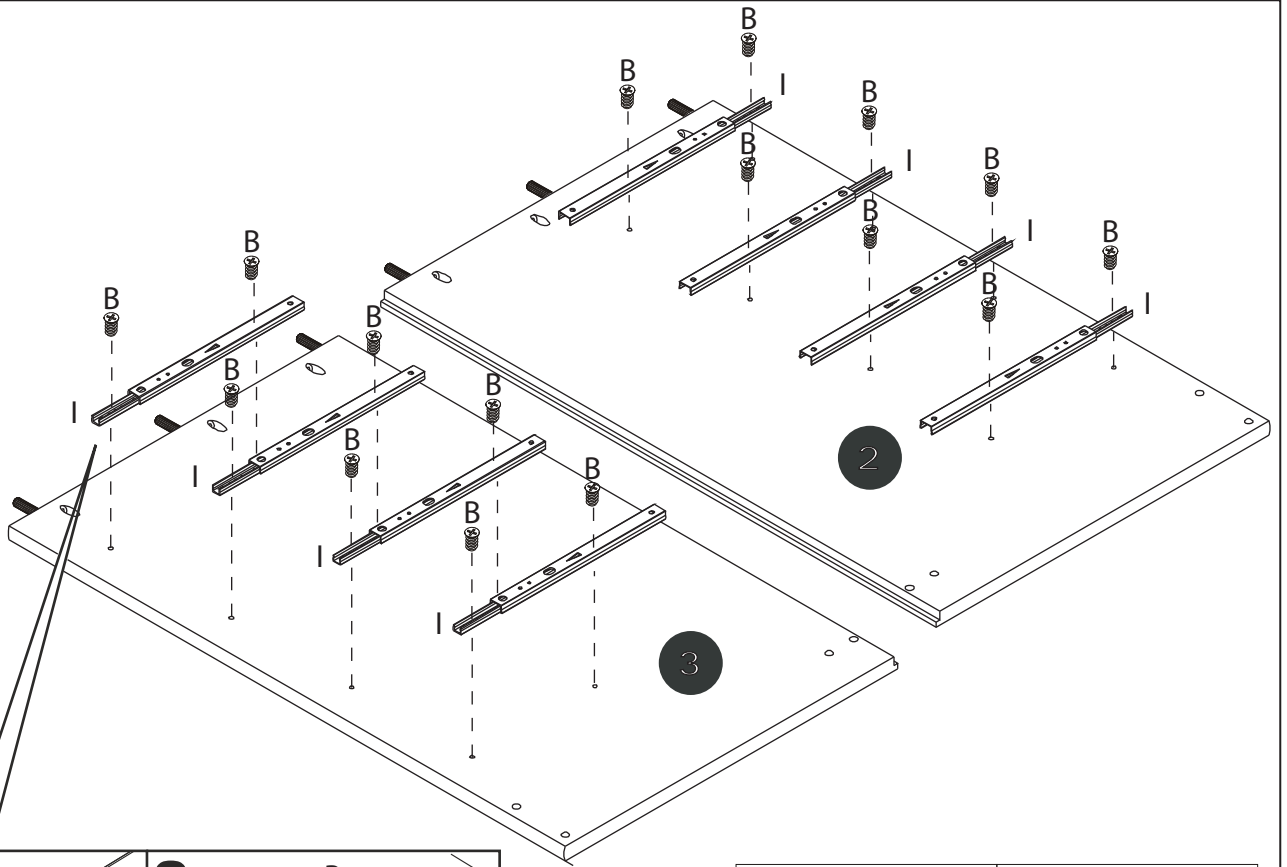


B × 6

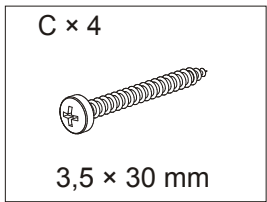
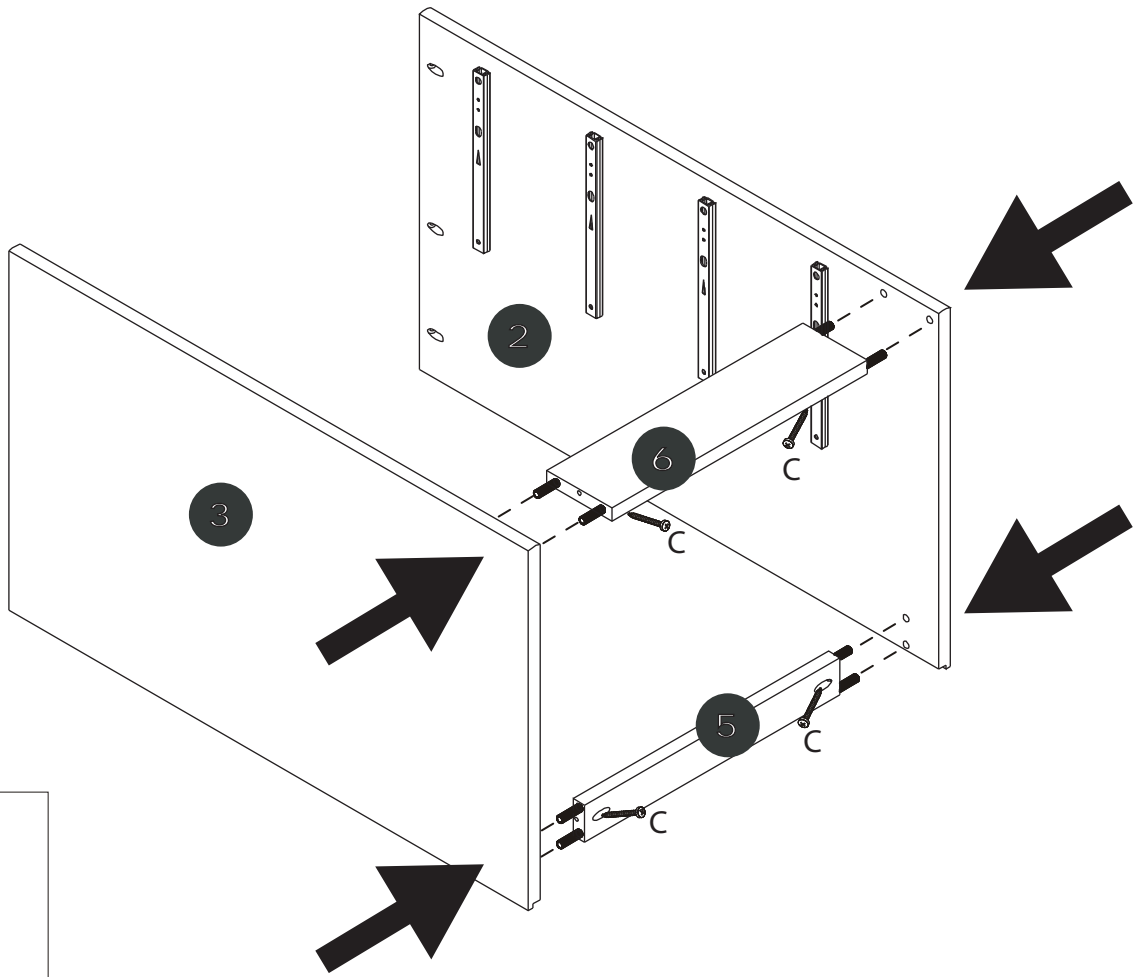


6 × 10 mm

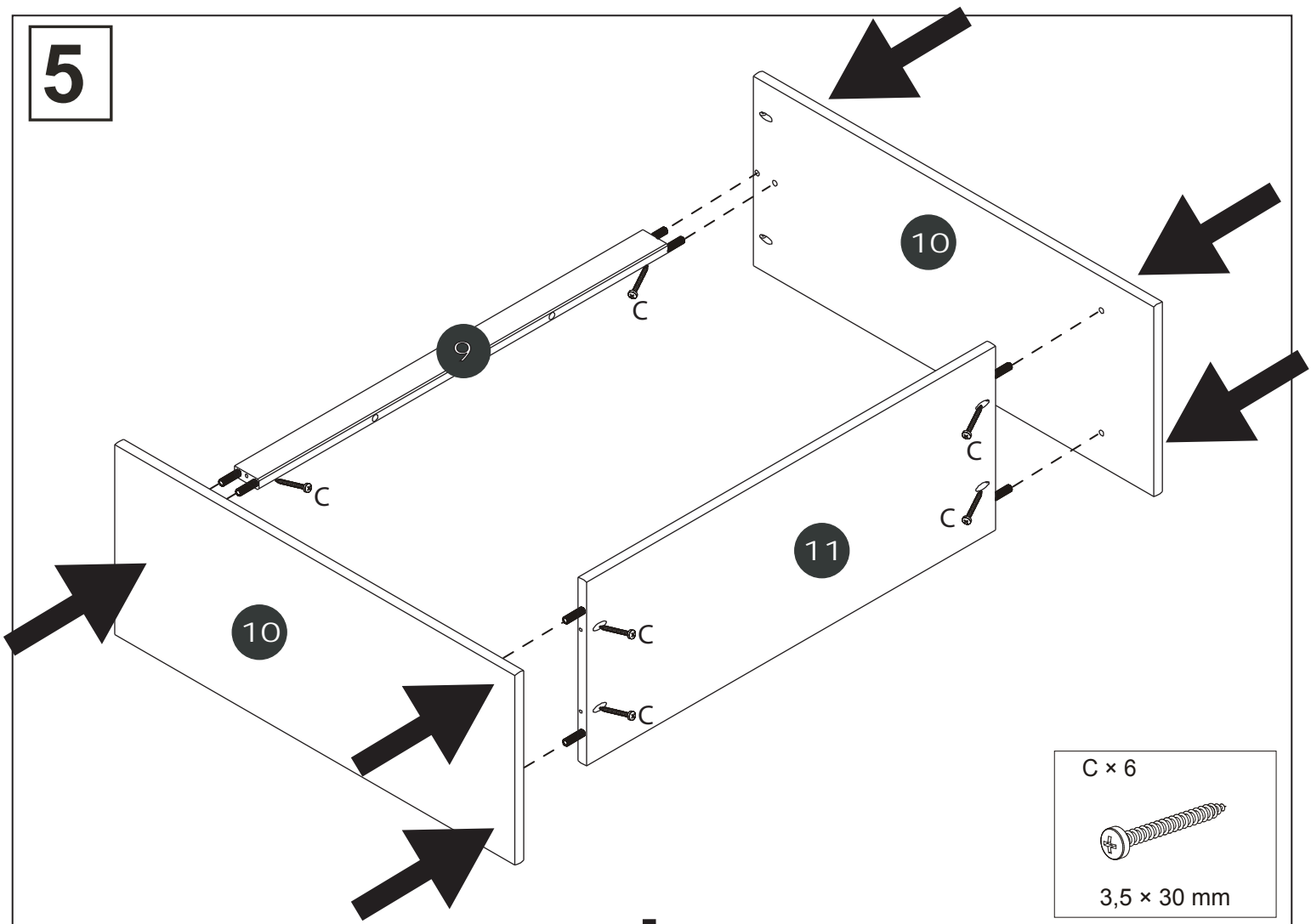
3



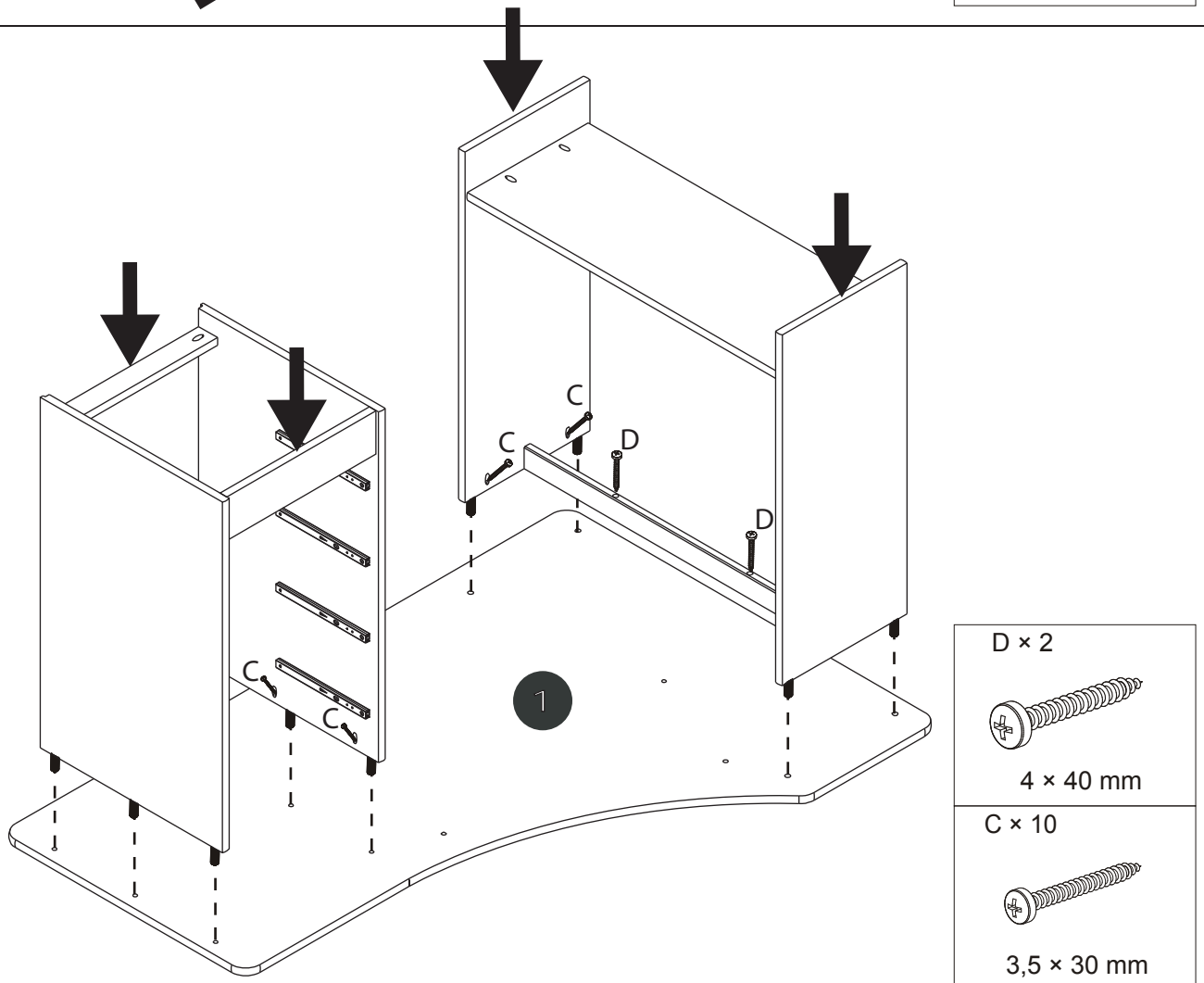
4



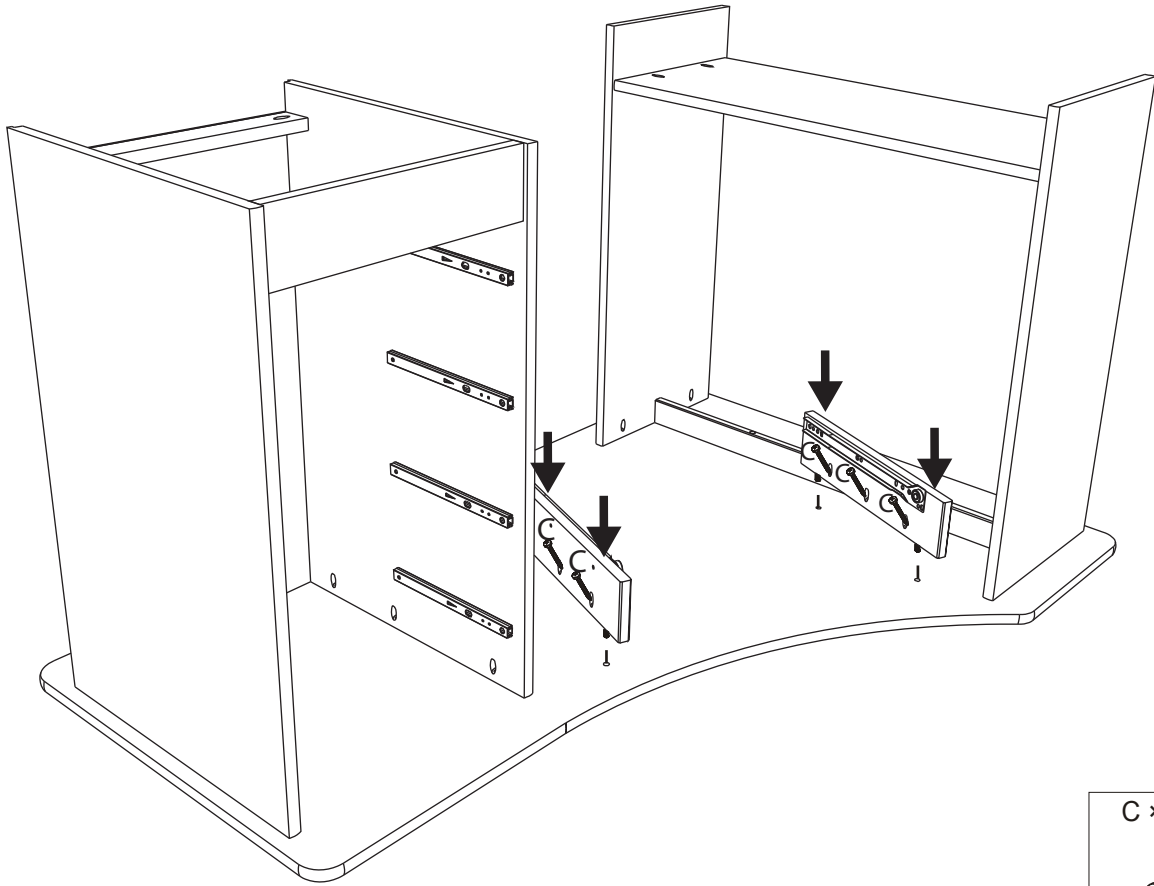
5



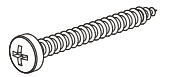
6



7

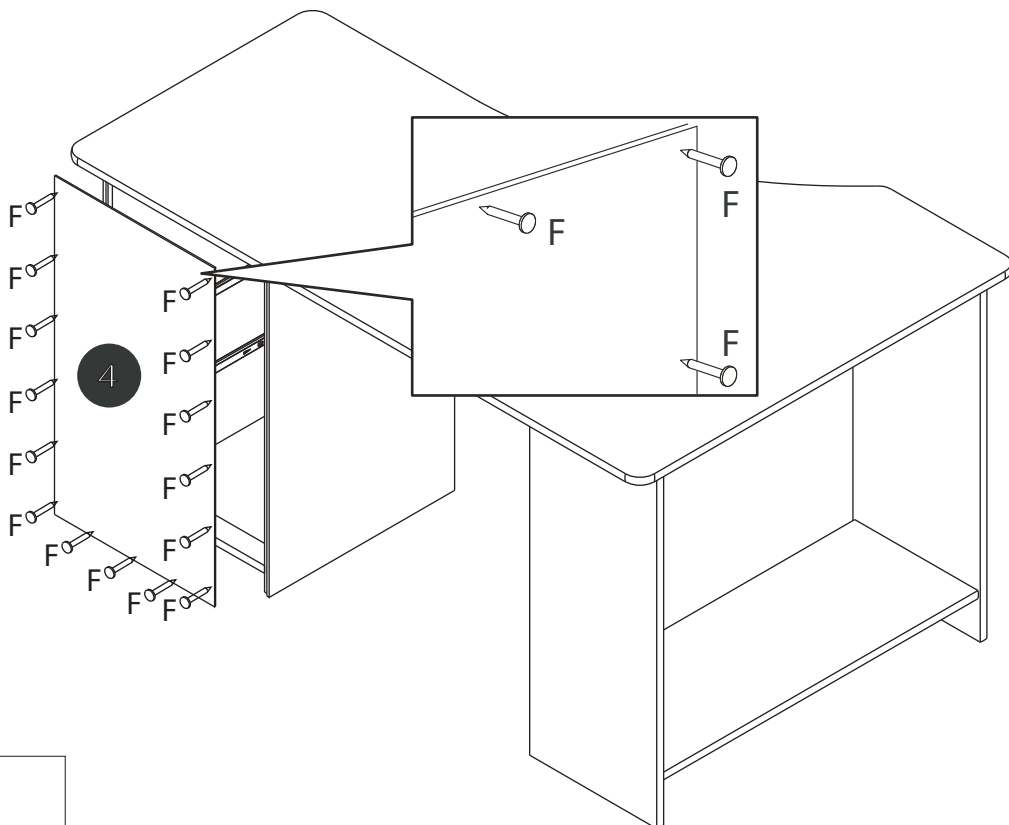


C × 6

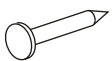


3,5 × 30 mm

8

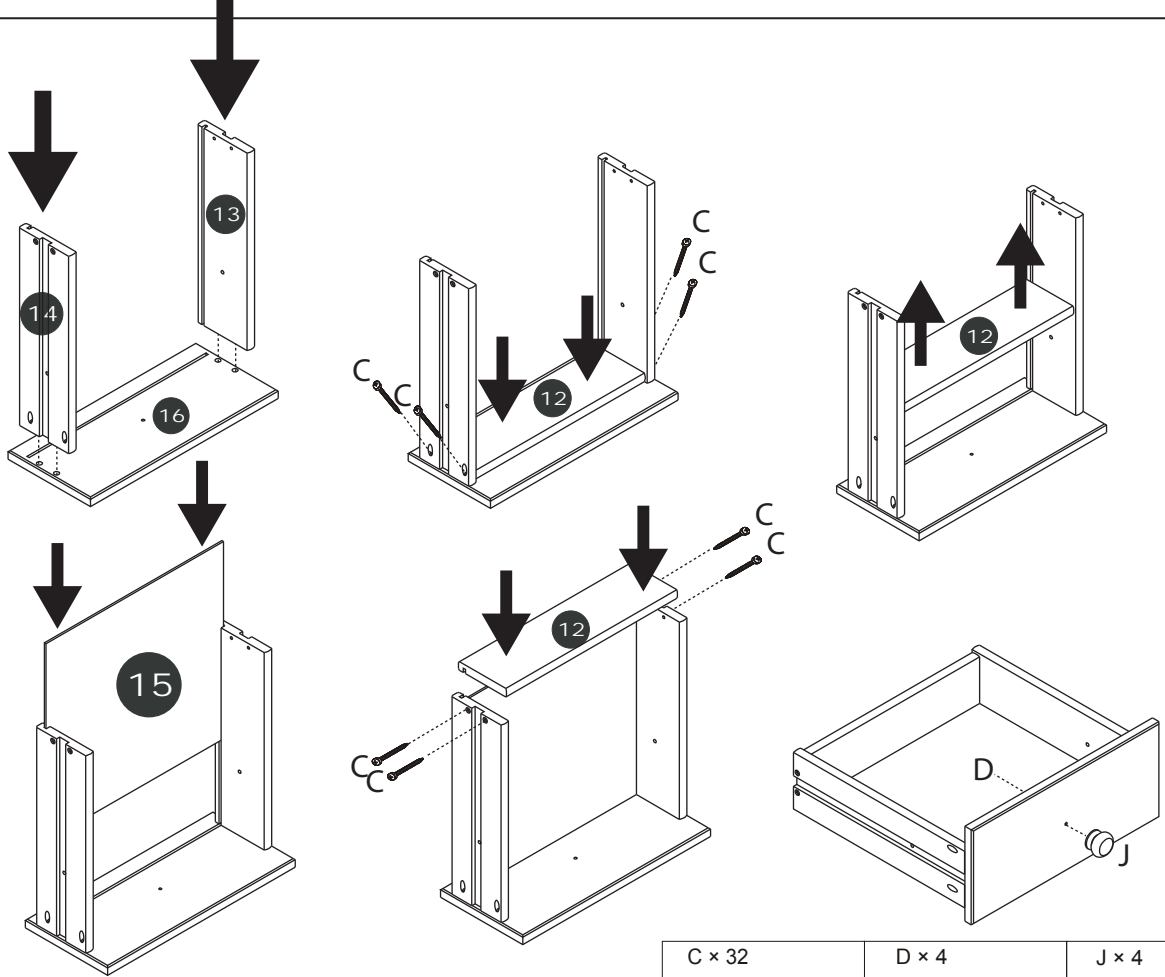



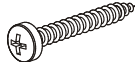

F × 15



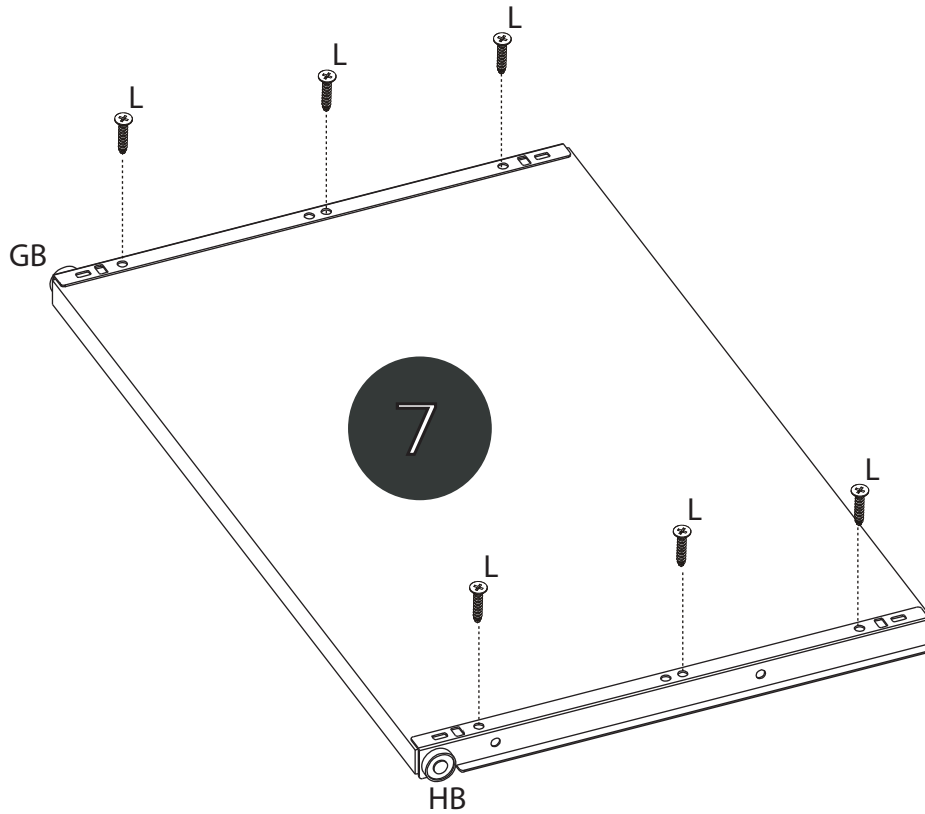
9


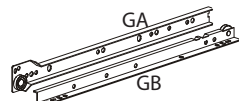
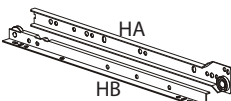
4x



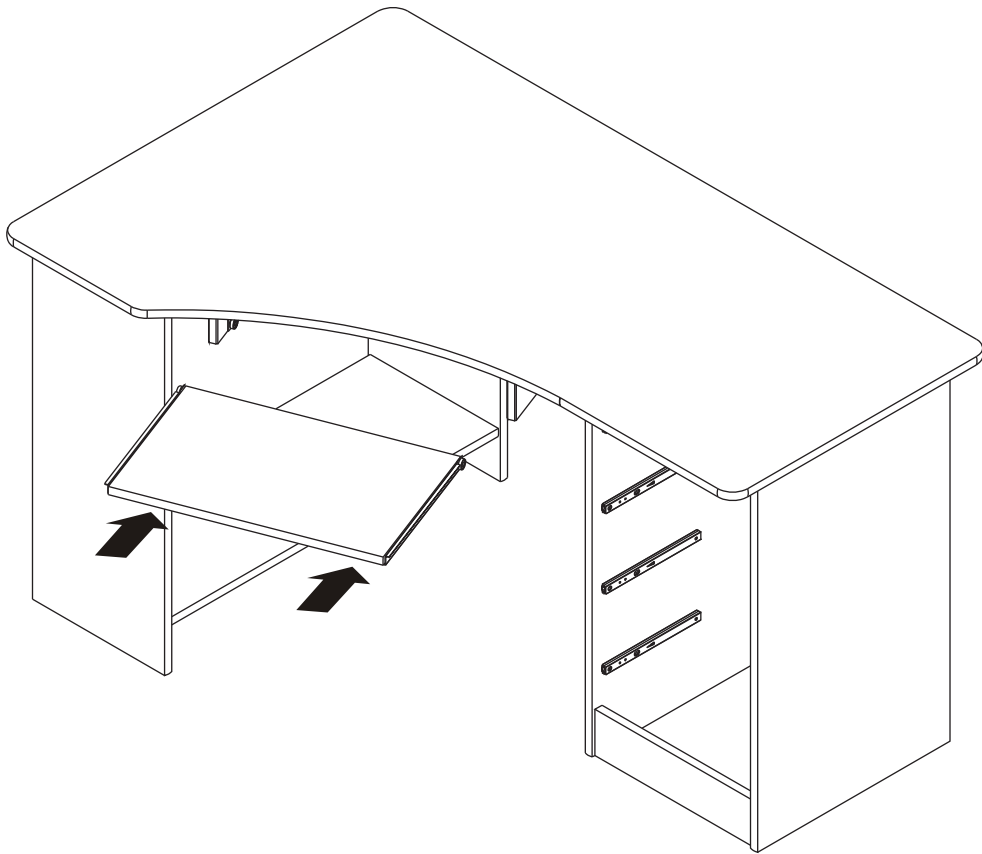
C x 32  3,5 x 30 mm	D x 4  4 x 40 mm	J x 4 
---	---	--

10

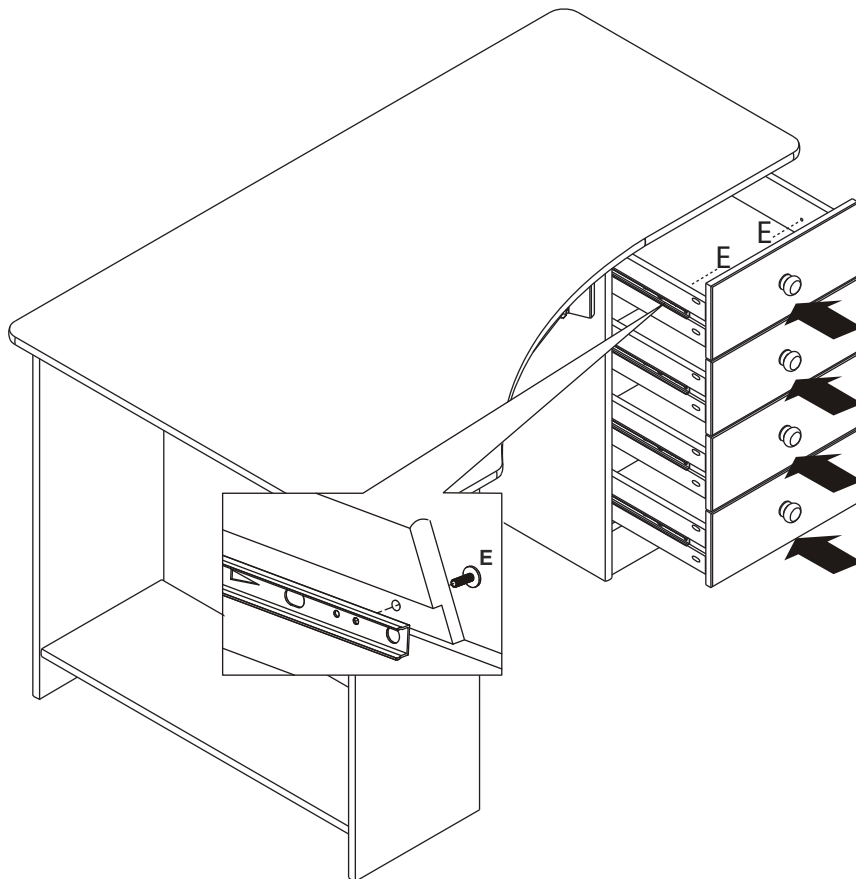


L x 6  3 x 16 mm	G x 1  GA GB	H x 1  HA HB
---	--	--

11



12



E × 8



M4 × 10 mm