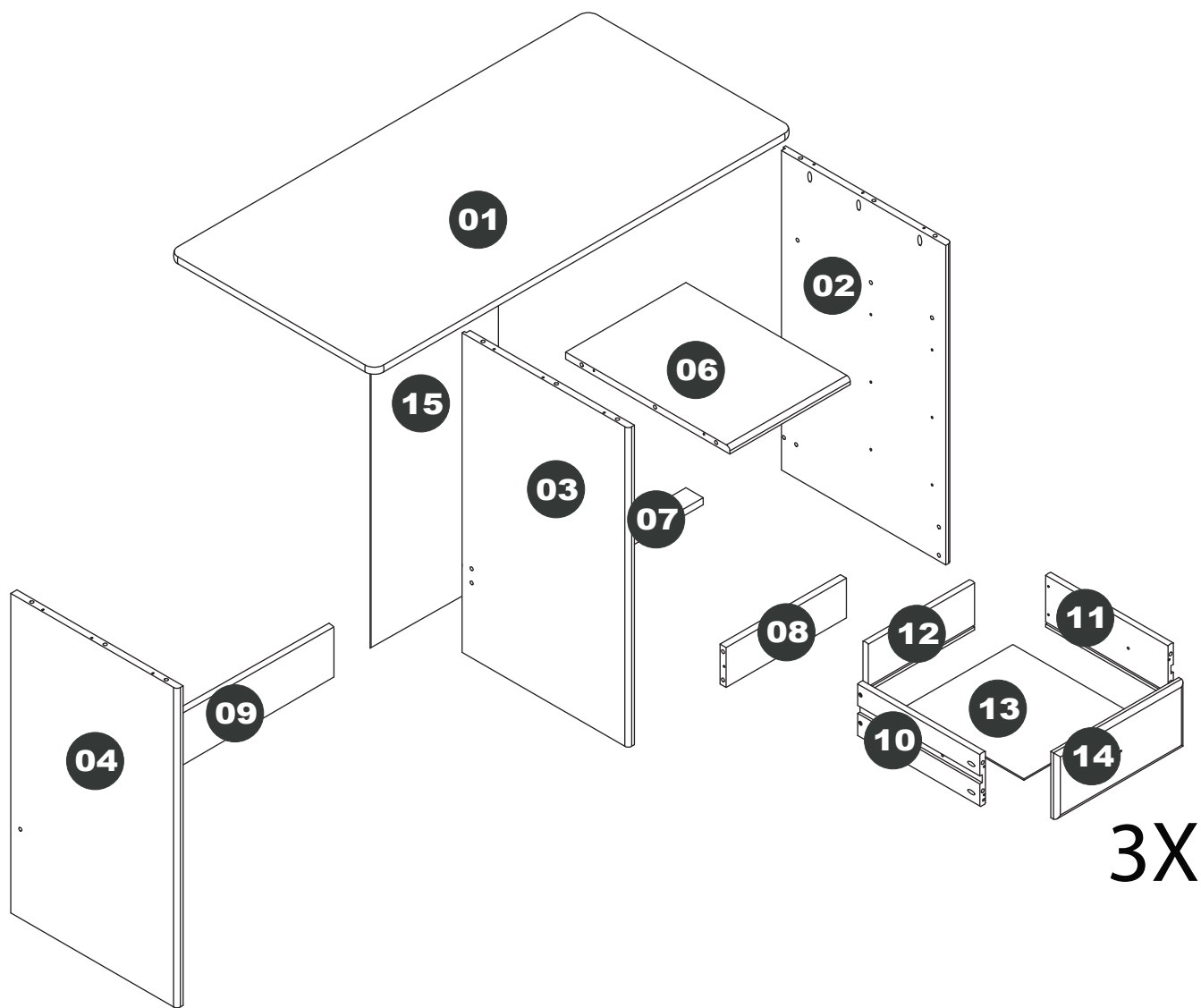
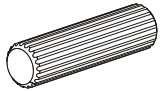

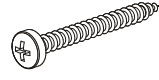
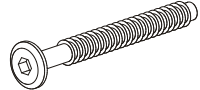

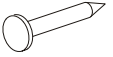
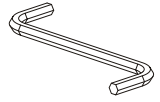
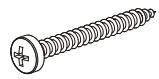
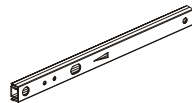



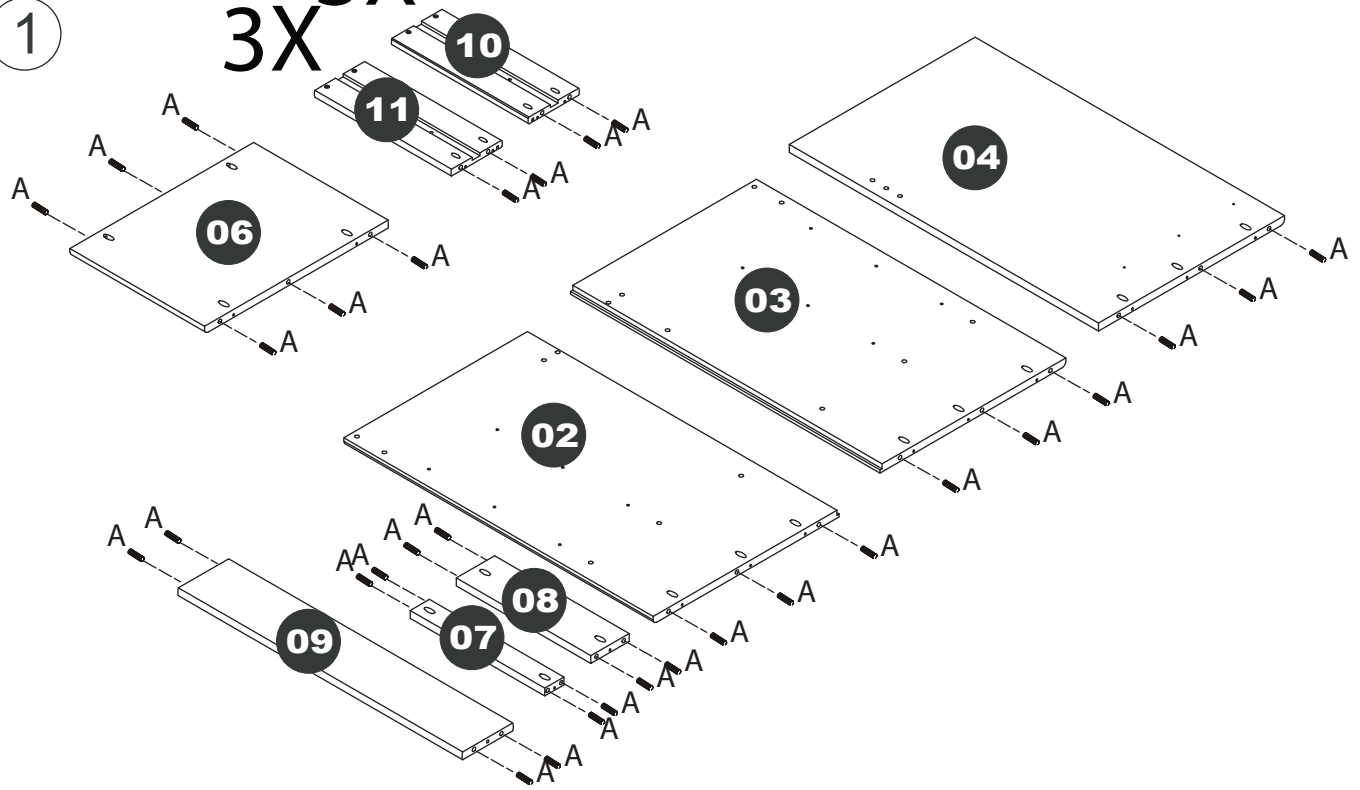
1-7



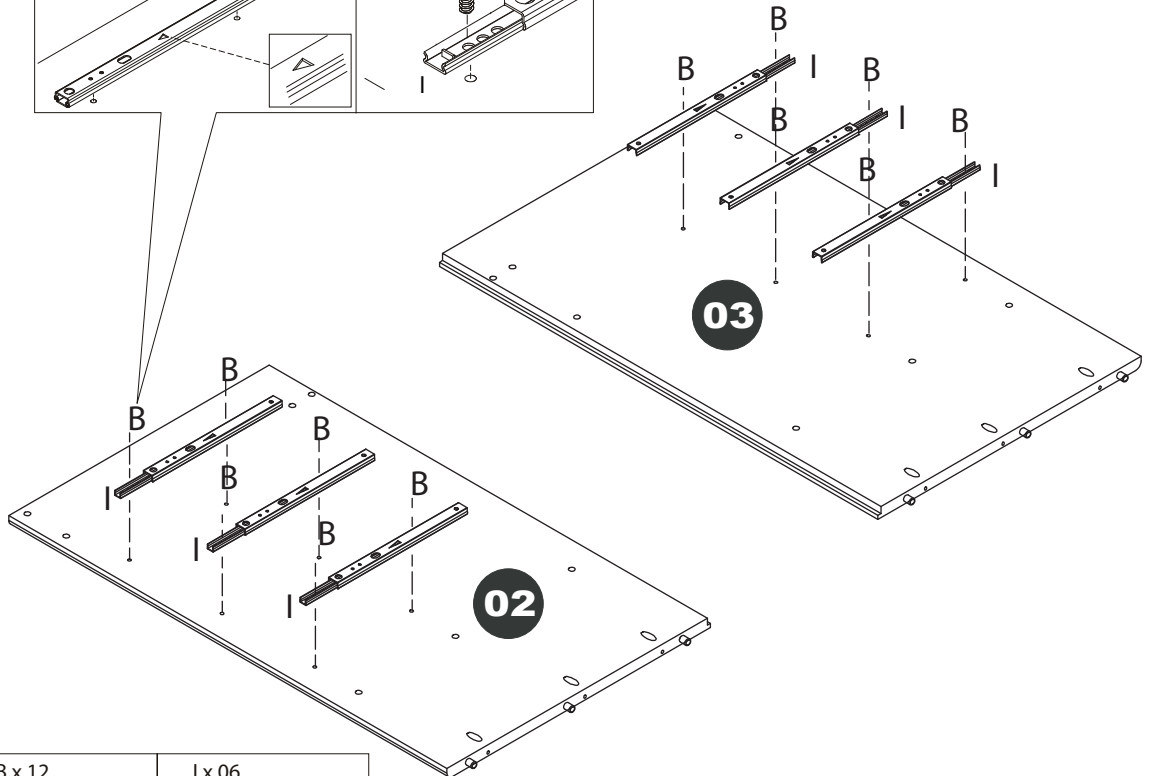
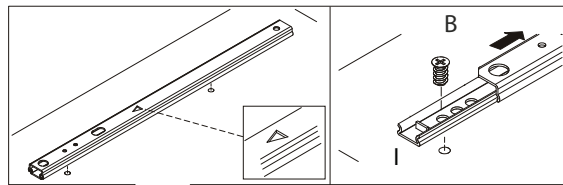
<p>A x39</p>  <p>8,0 x 30mm</p>	<p>B x 12</p>  <p>6,0 x 10mm</p>	<p>C x 41</p>  <p>3,5 x 30mm</p>	<p>D x 02</p>  <p>7,0 x 50mm</p>	<p>E x 06</p>  <p>M4 x 10mm</p>
<p>F x 12</p> 	<p>G x 01</p> 	<p>H x 03</p>  <p>4,0 x 40mm</p>	<p>I x 06</p> 	<p>J x 03</p> 

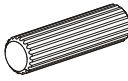

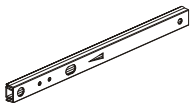
1

3X 3X

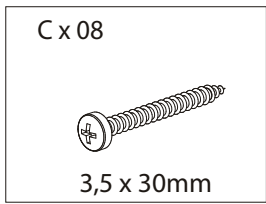
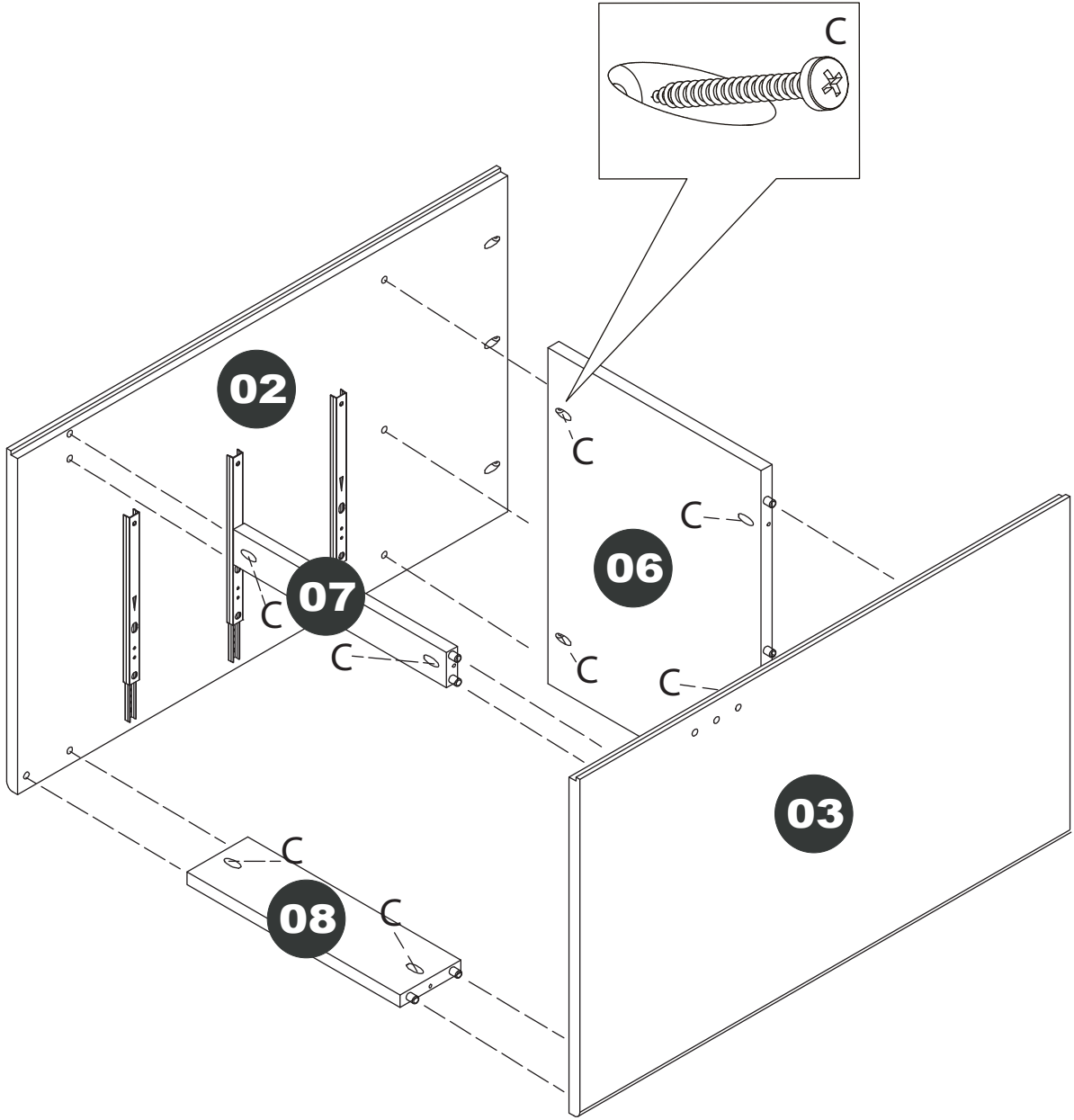


2

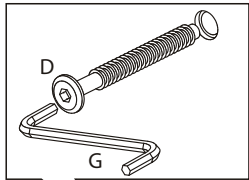


A x 39  8,0 x 30mm	B x 12  6,0 x 10mm	I x 06 
---	---	---

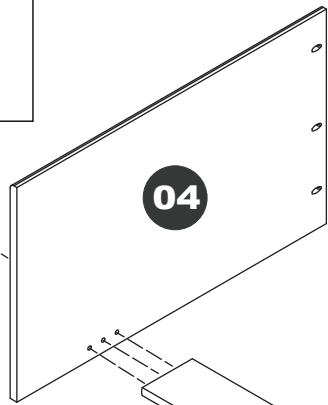
3



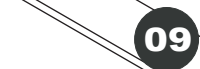
4



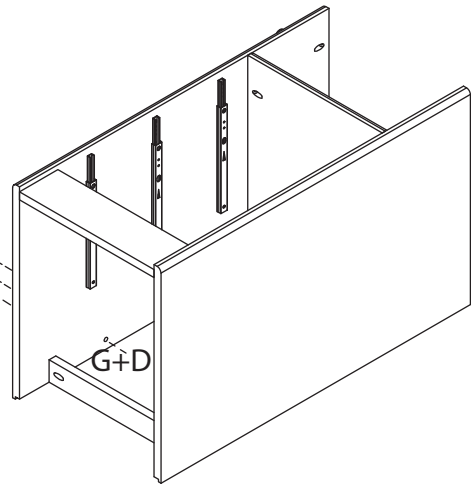
G+D



04

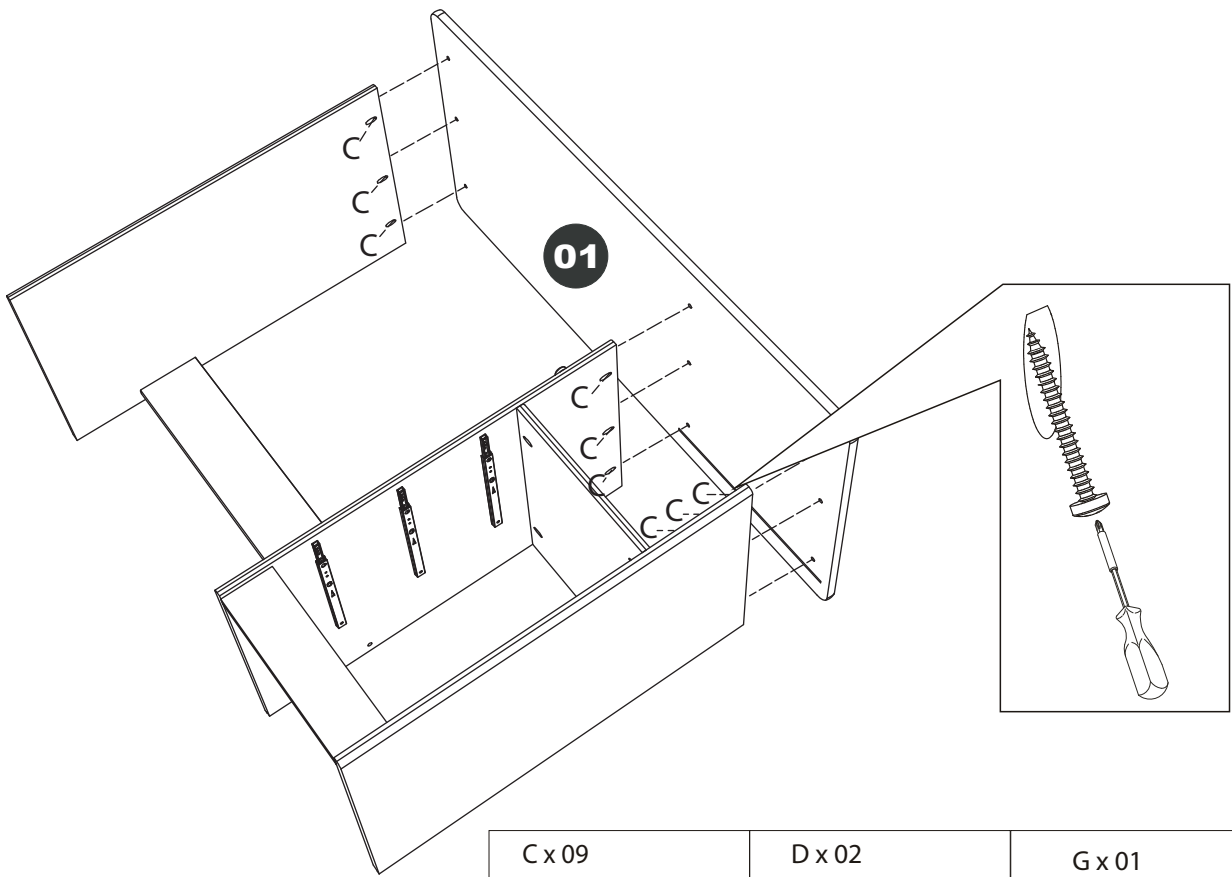


09

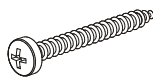
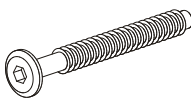
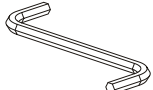


G+D

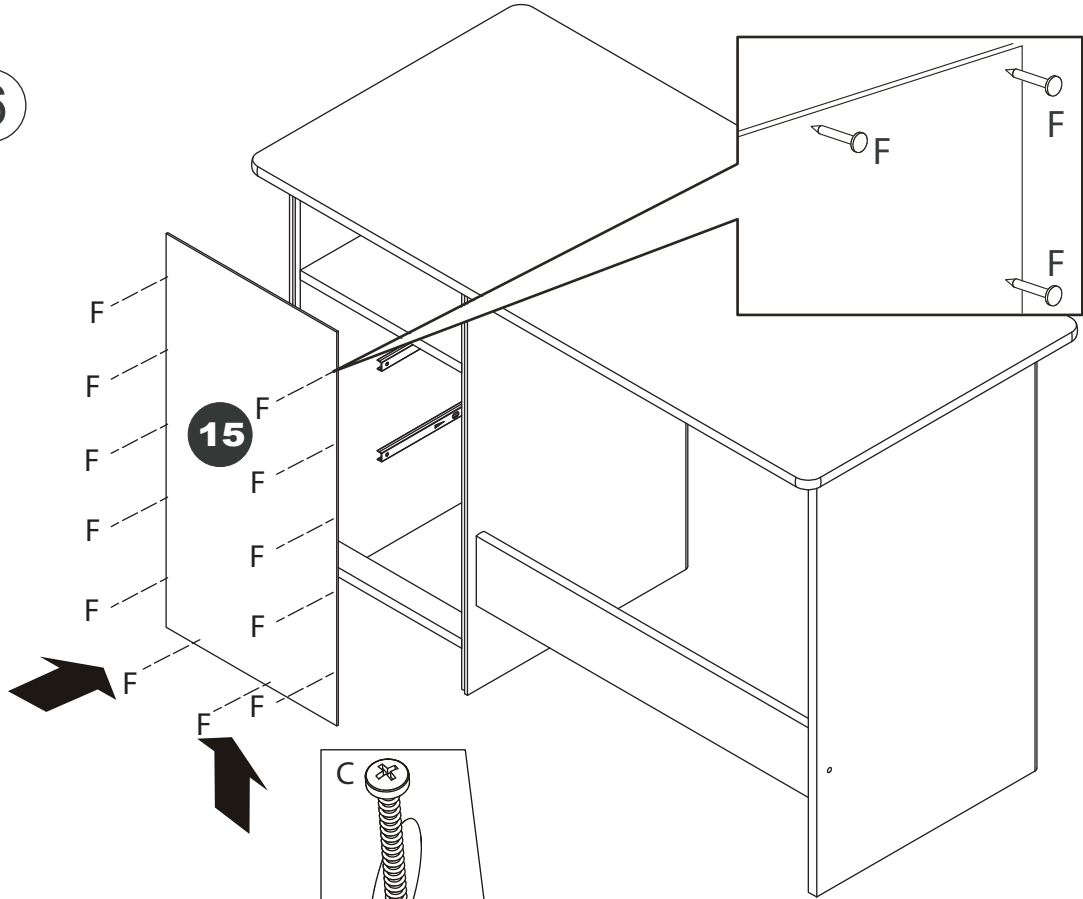
5



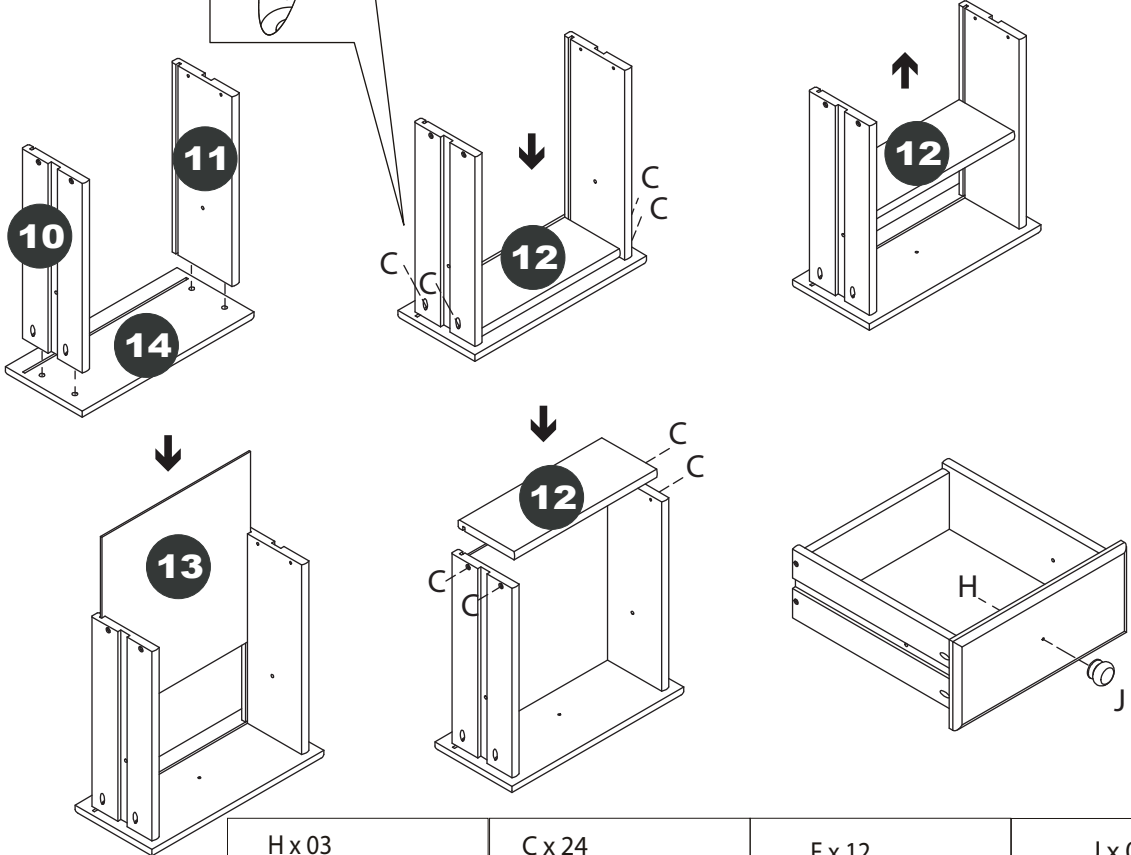
01

<p>C x 09</p>  <p>3,5 x 30mm</p>	<p>D x 02</p>  <p>7,0 x 50mm</p>	<p>G x 01</p> 
---	---	---


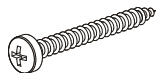
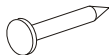

6



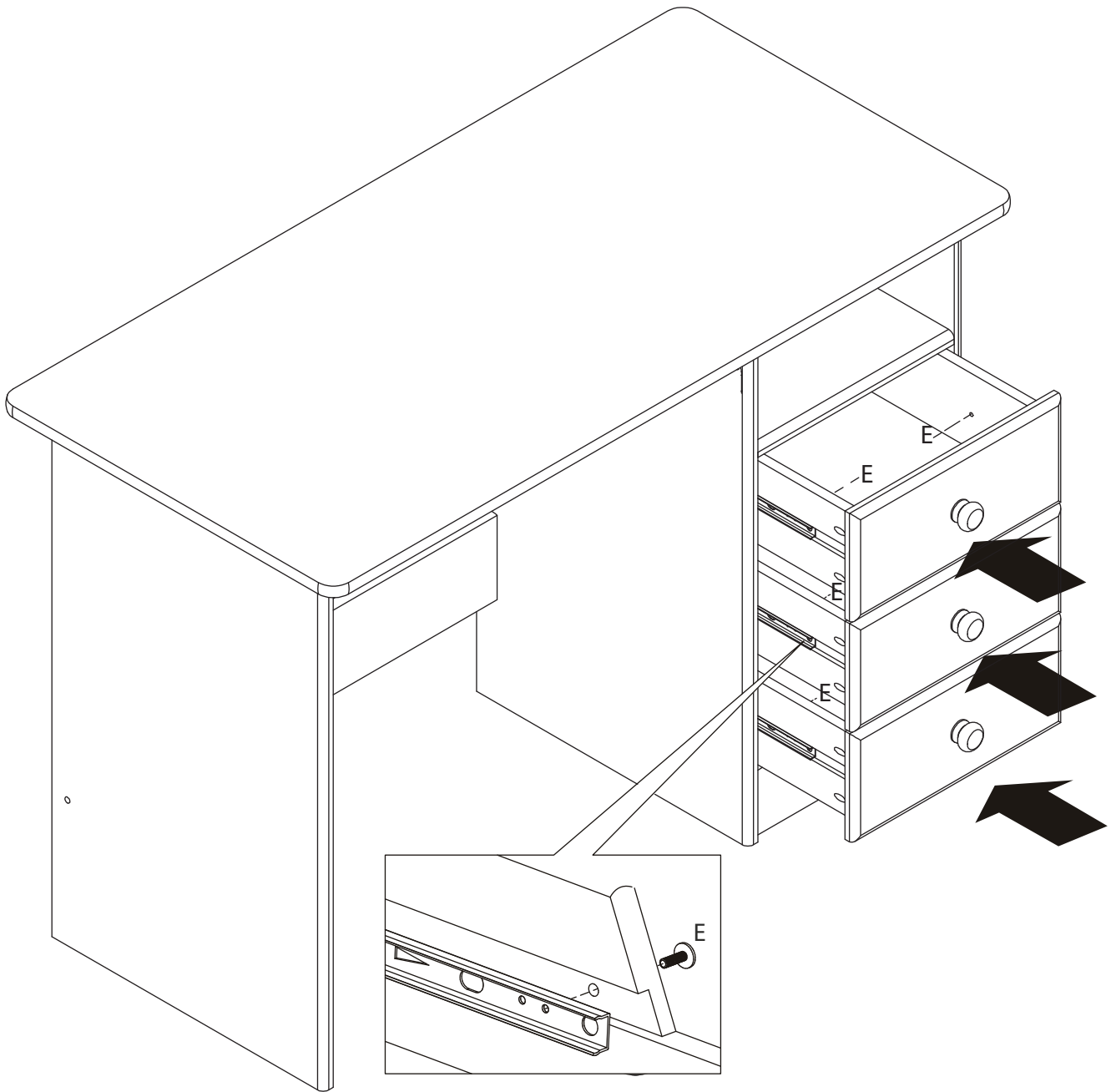
7




3X

<p>H x 03</p>  <p>4,0 x 40mm</p>	<p>C x 24</p>  <p>3,5 x 30mm</p>	<p>F x 12</p> 	<p>J x 03</p> 
---	---	---	---

8



E x 06



M4 x 10mm