




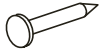
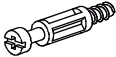




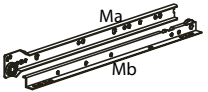
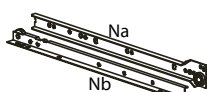
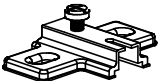

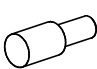



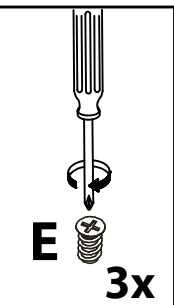
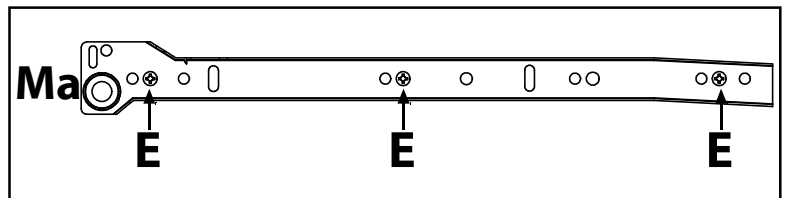
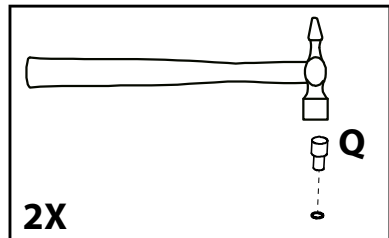
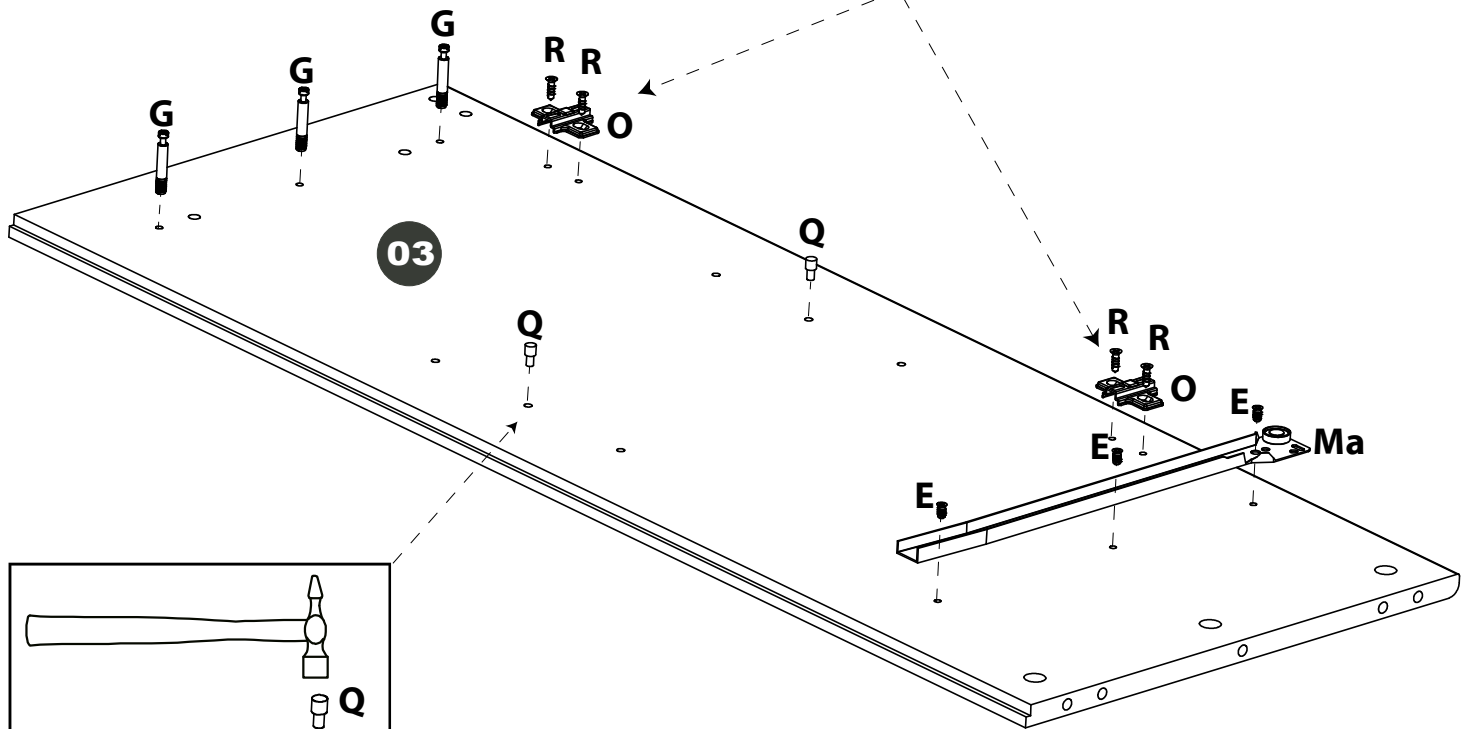
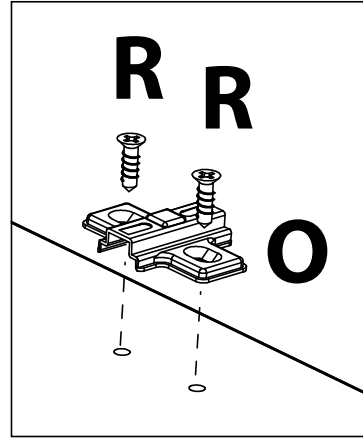
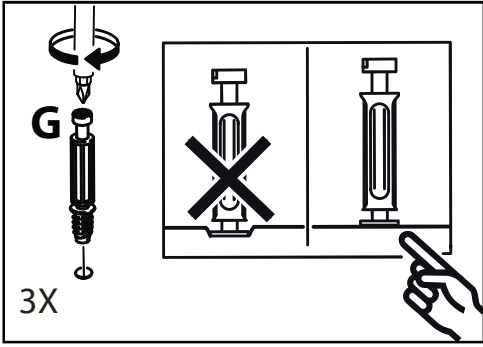

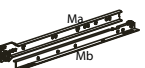






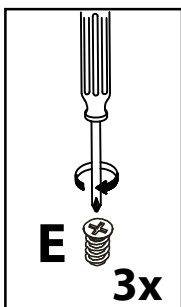
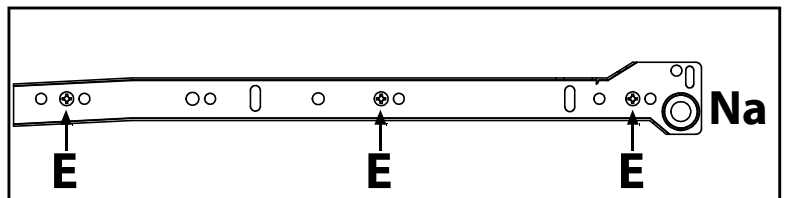
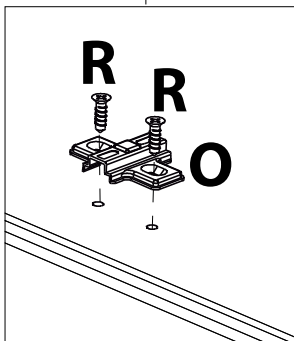
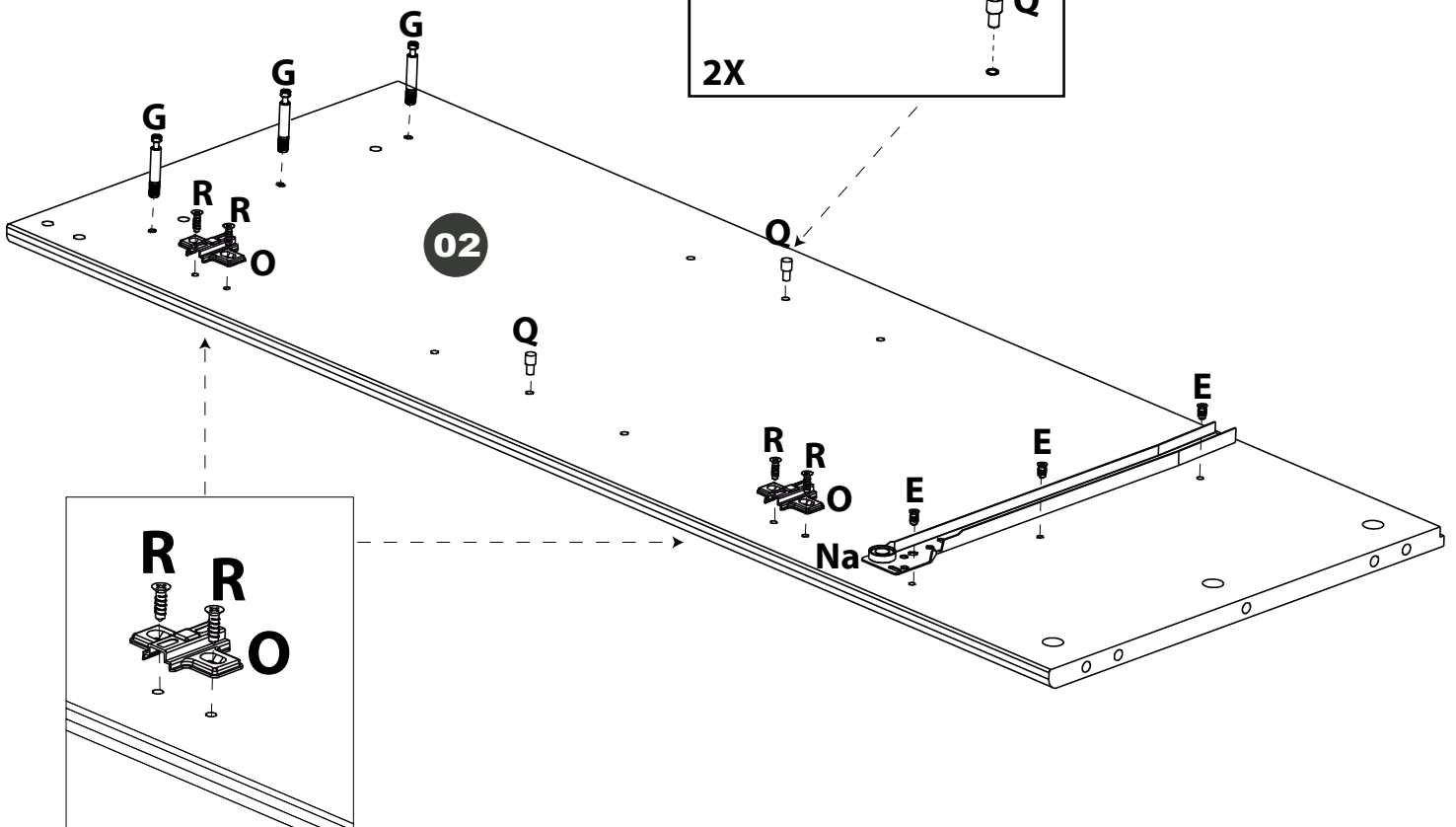
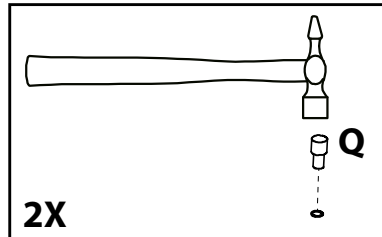
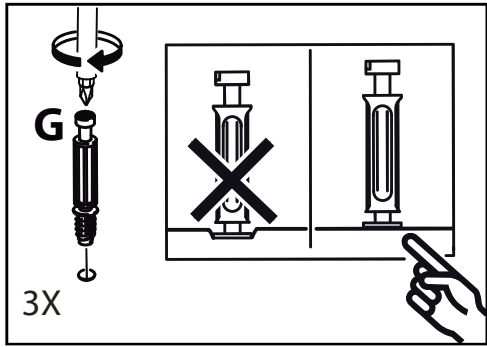
A=16  8,0 x 30mm	B=10  3,5 x 30mm	C=07  3,0 x 16mm	D=04  4,0 x 40mm	E=06  6,0 x 10mm
F=25  8,0 x 8,0mm	G=12  350mm	H=12  350mm	I=02 	J=01 
L=04 	M=01  Ma Mb 350mm	N=01  Na Nb 350mm	O=04 	P=04 
Q=04 	R=16  4,0 x 16mm	S=12  4,0 x 25mm	T=02 	


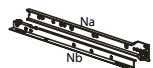




1



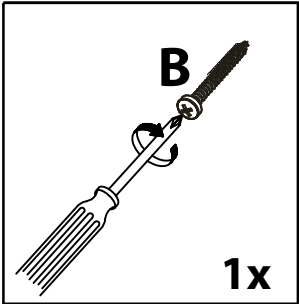
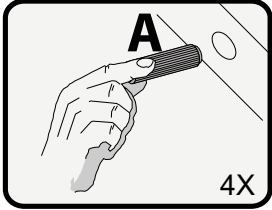
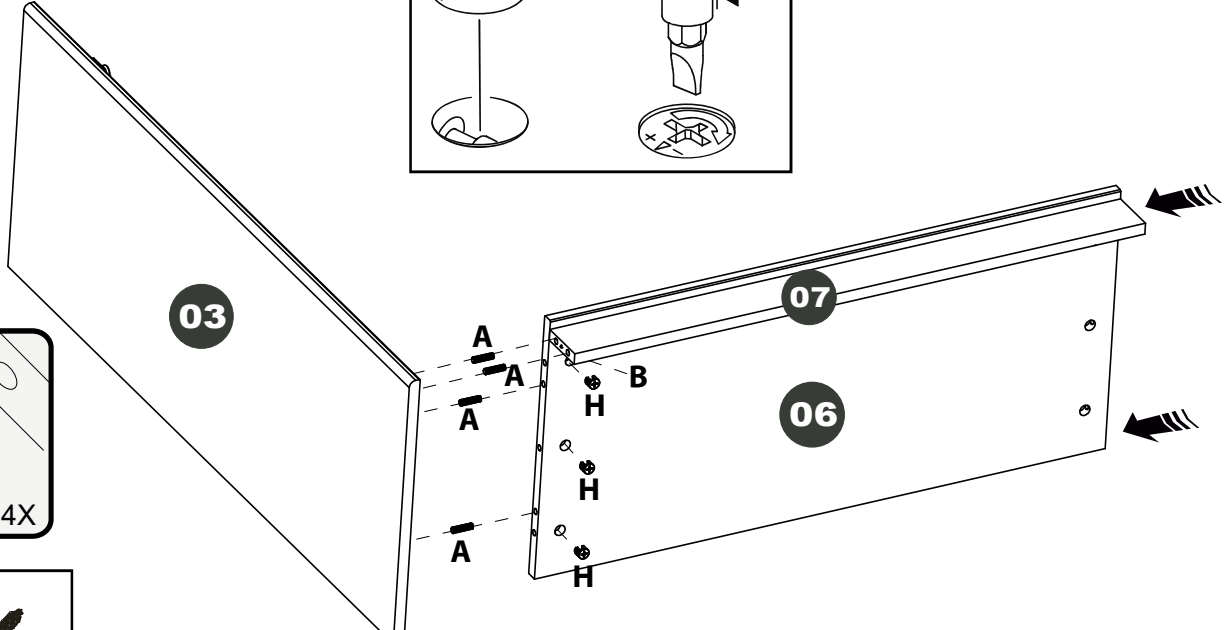
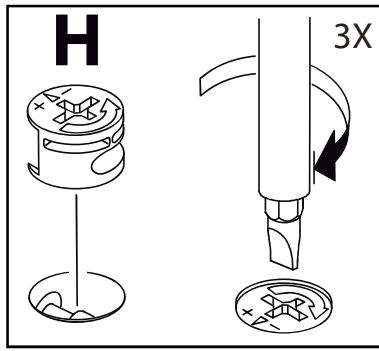
<p>E=03</p>  <p>6,0 x 10mm</p>	<p>M=01</p>  <p>Ma Mb 350mm</p>	<p>G=03</p> 	<p>Q=02</p> 	<p>R=04</p>  <p>4,0 x 16mm</p>	<p>O=02</p> 
---	---	--	--	--	---

2



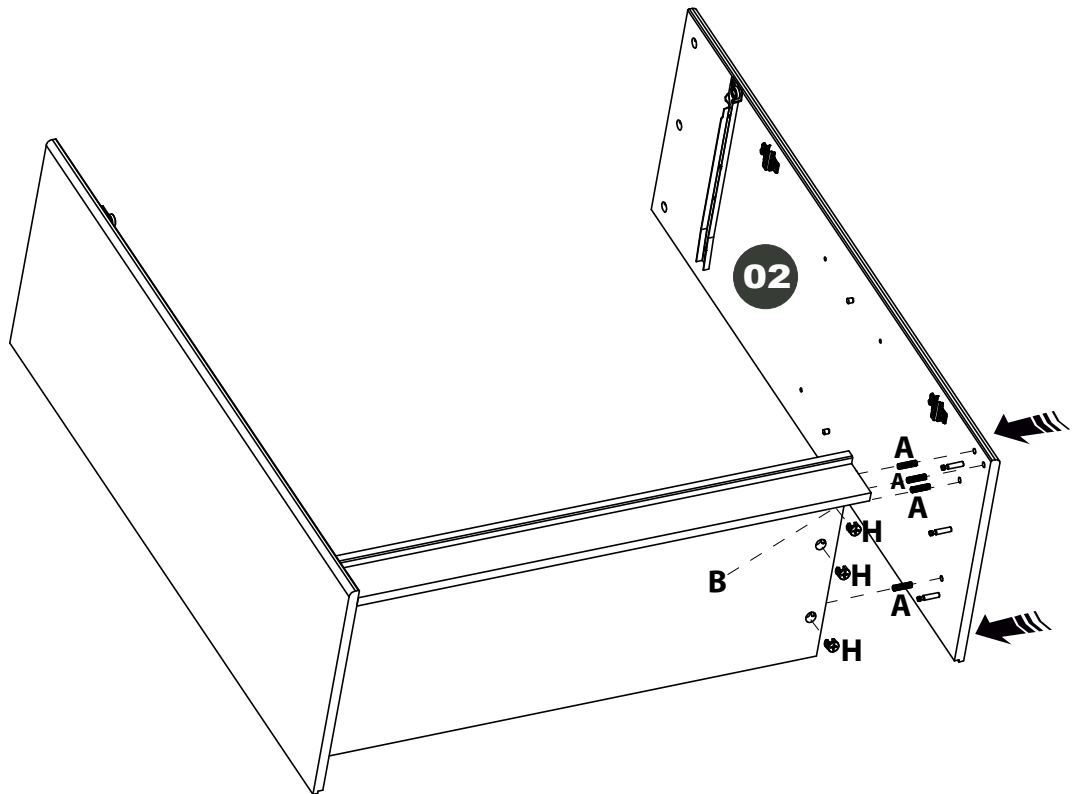
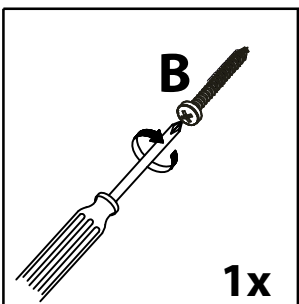
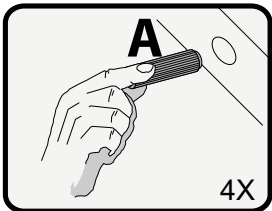
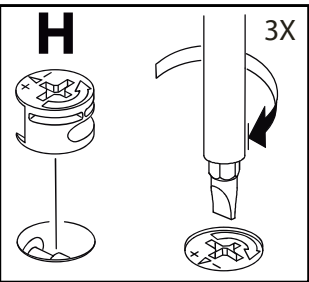
E=03  6,0 x 10mm	N=01  350mm	G=03 	Q=02 	R=04  4,0 x 16mm	O=02 
--	---	--	--	--	---

3



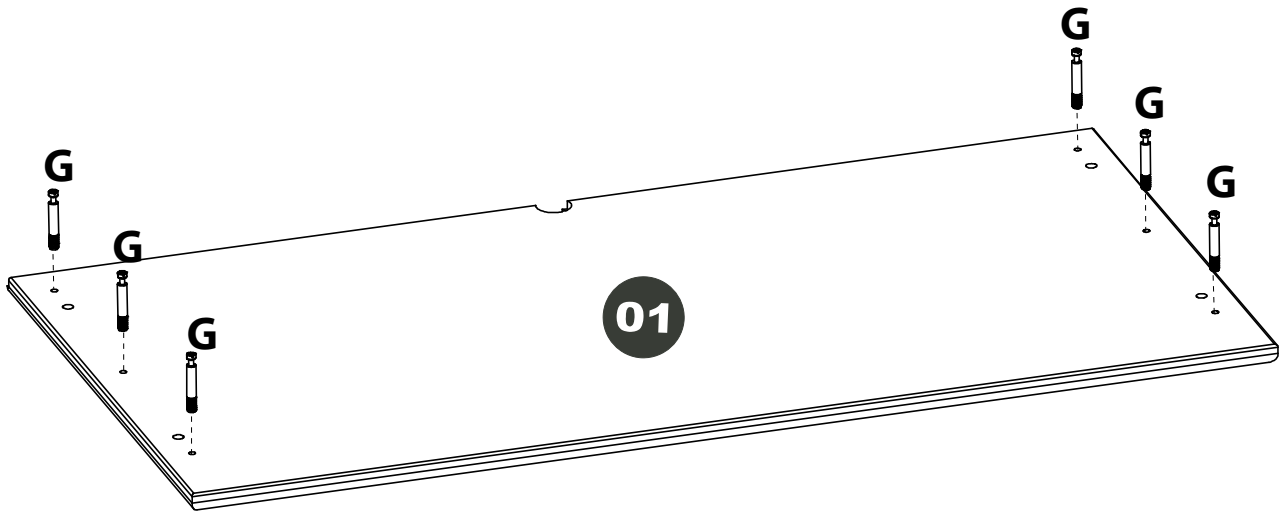
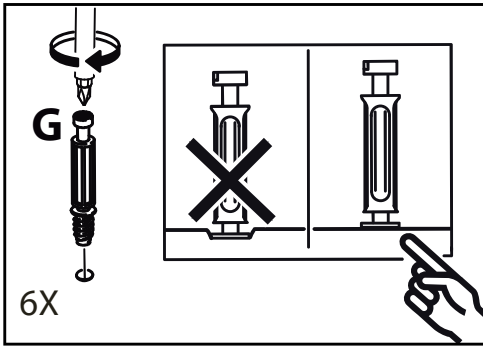
<p>A=04</p> <p>8,0 x 30mm</p>	<p>B=01</p> <p>3,5 x 30mm</p>	<p>H=03</p>
-------------------------------	-------------------------------	-------------

4



<p>A=04</p> <p>8,0 x 30mm</p>	<p>B=01</p> <p>3,5 x 30mm</p>	<p>H=03</p>
-------------------------------	-------------------------------	-------------

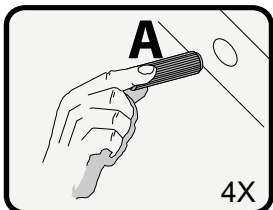
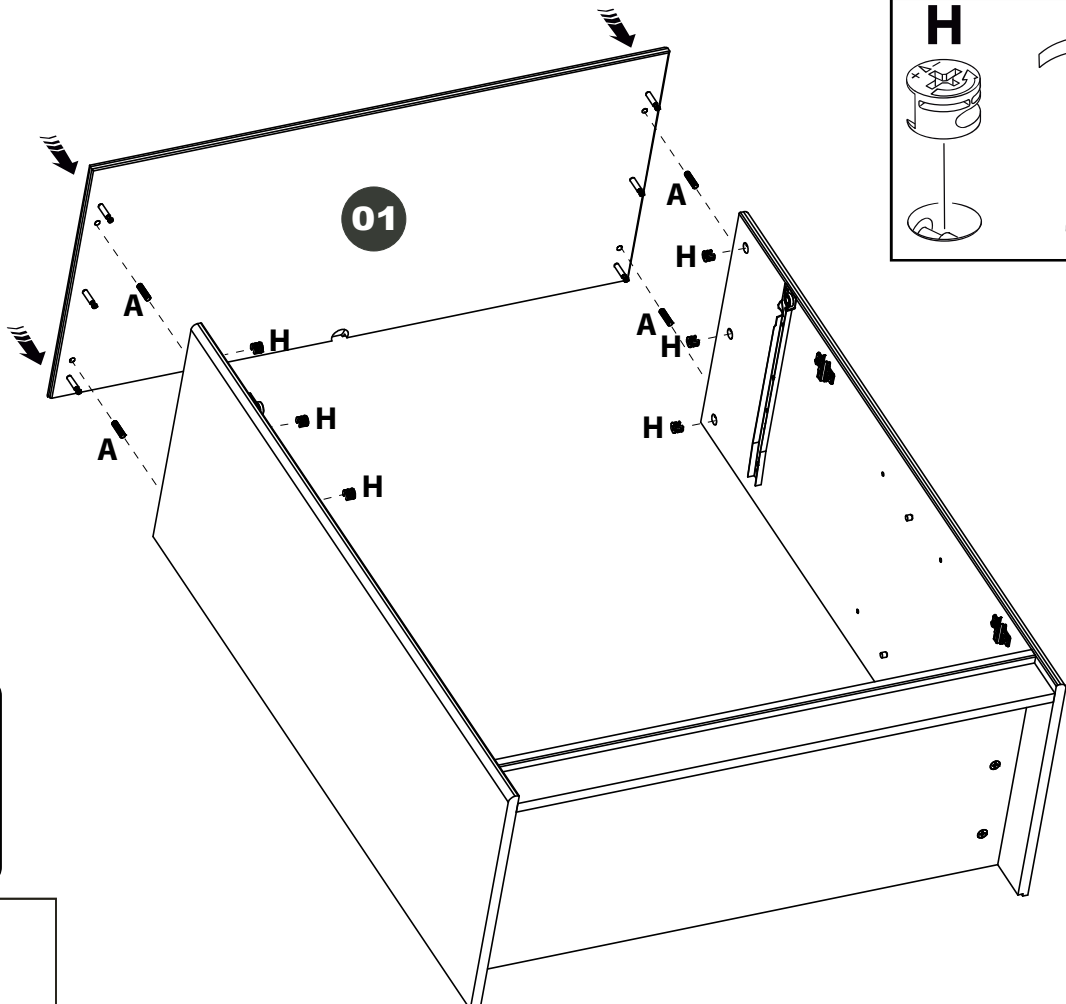
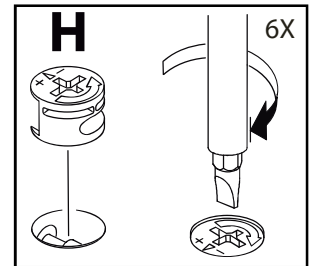
5



G=06



6



4X

A=04

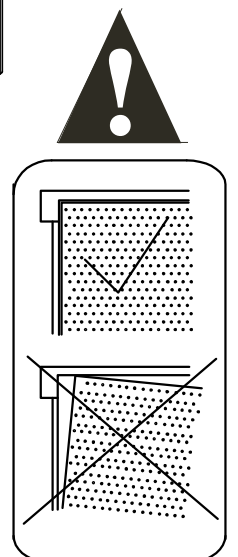
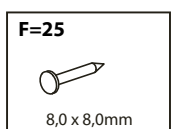
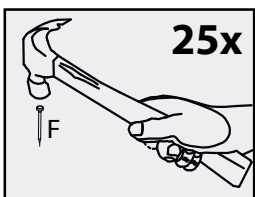
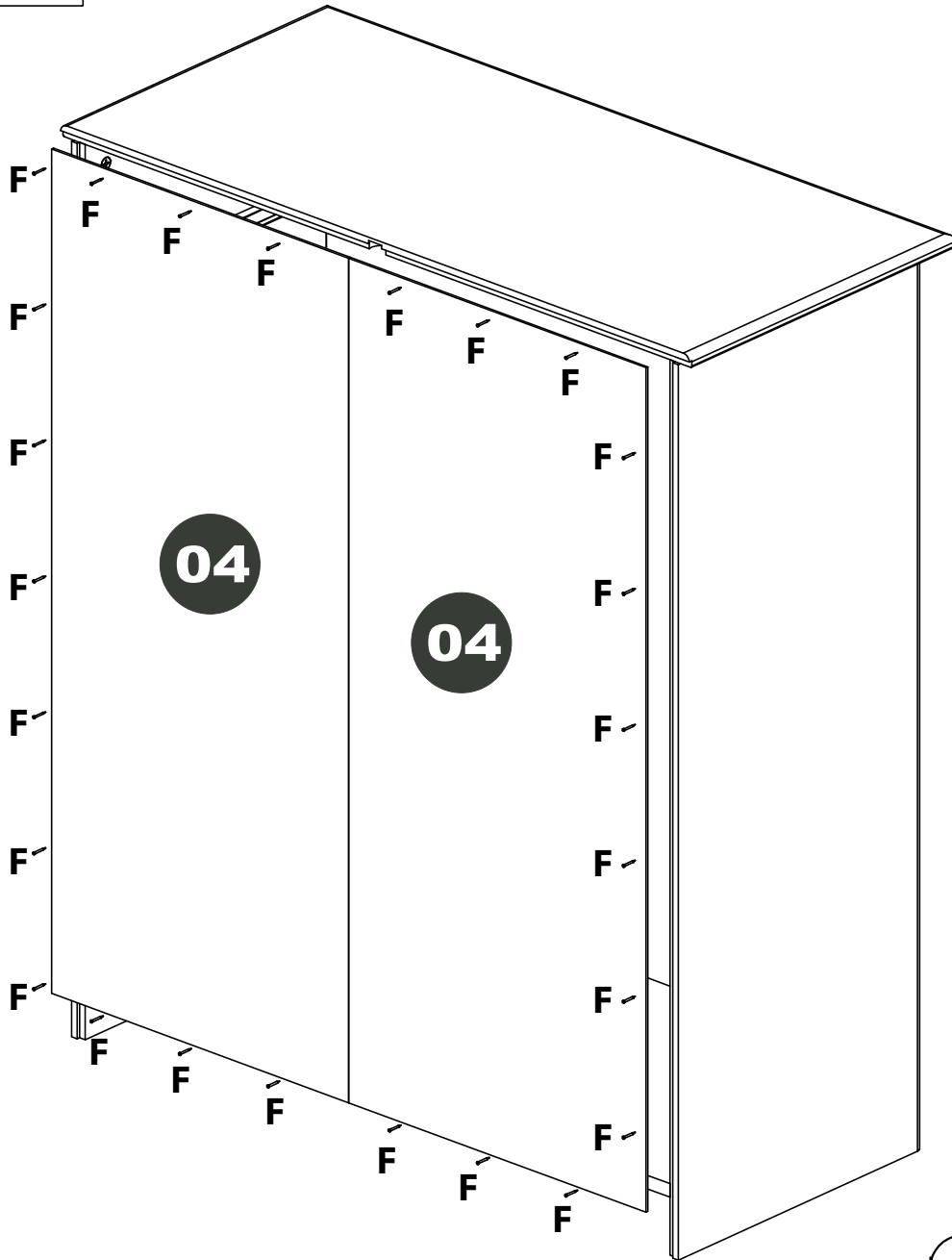
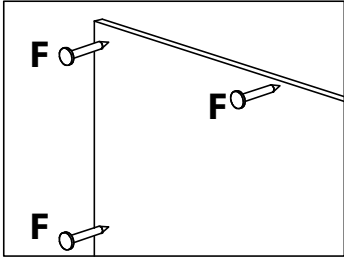


8,0 x 30mm

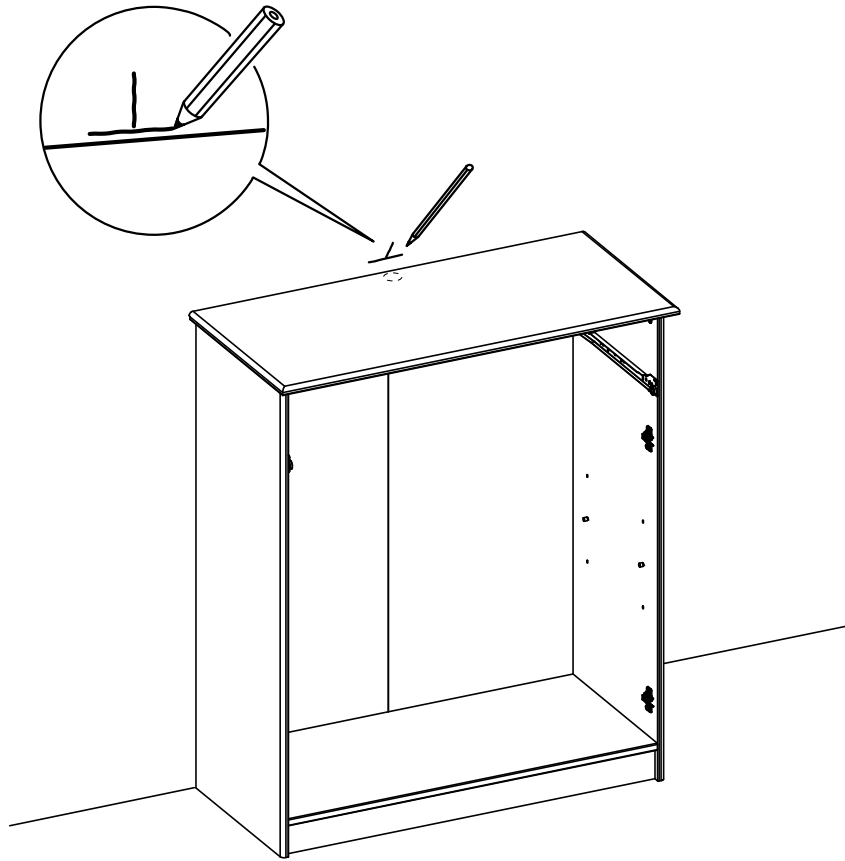
H=06



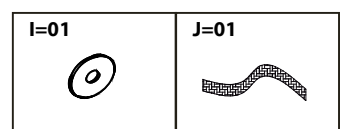
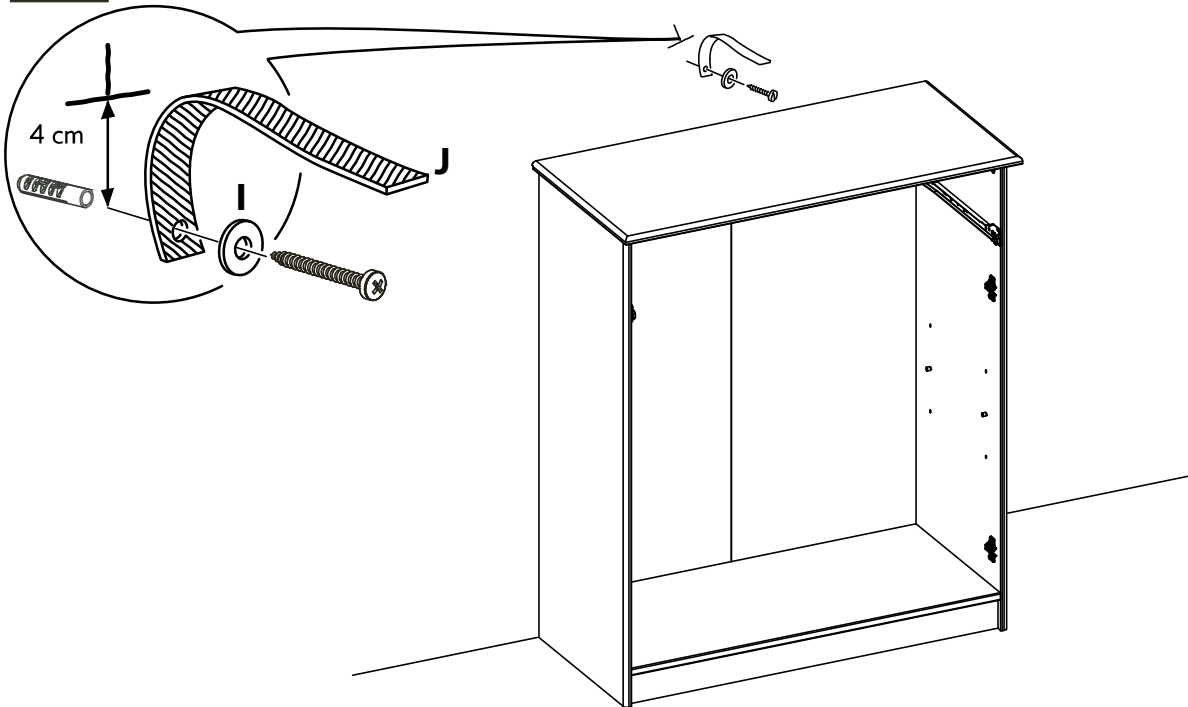
7



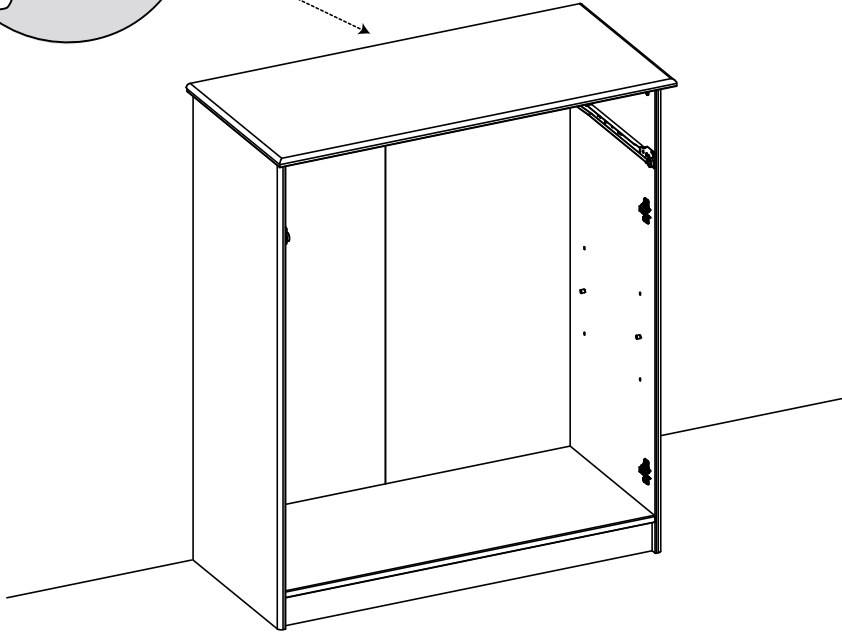
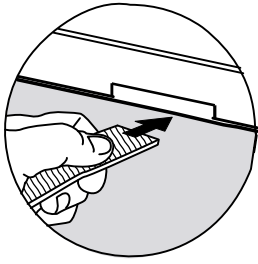
8



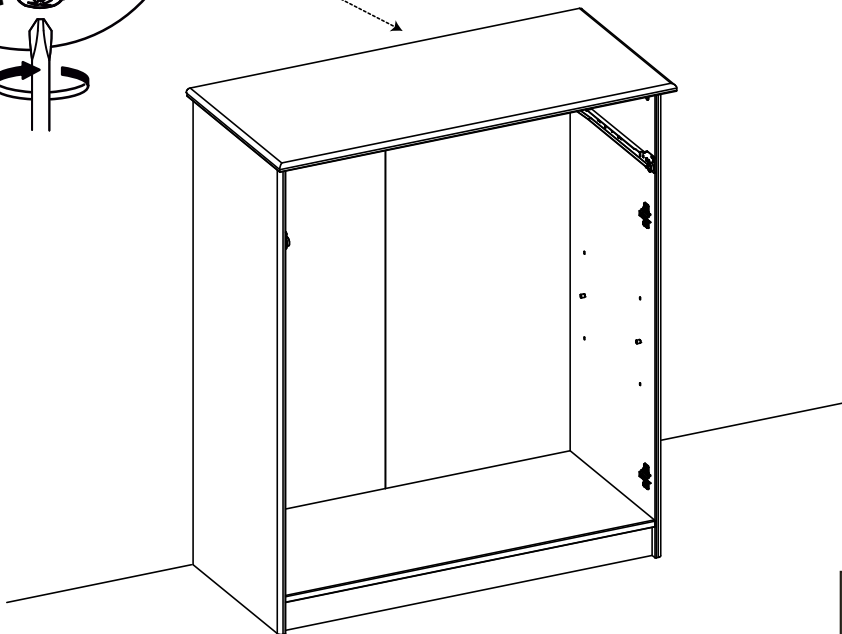
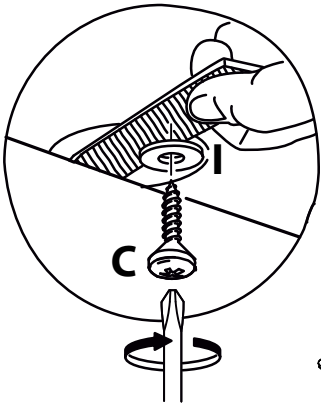
9





10

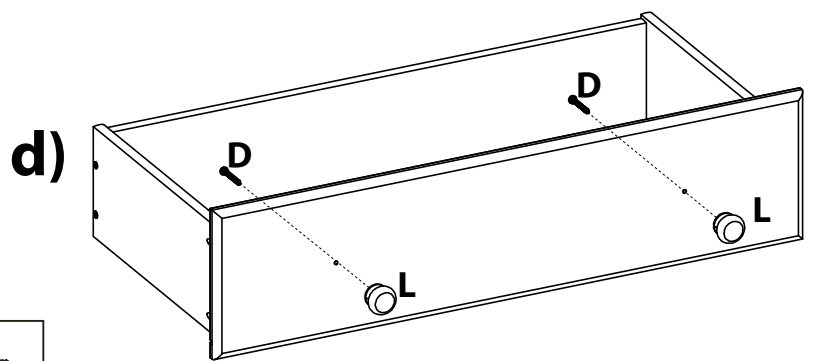
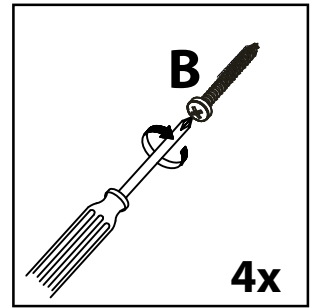
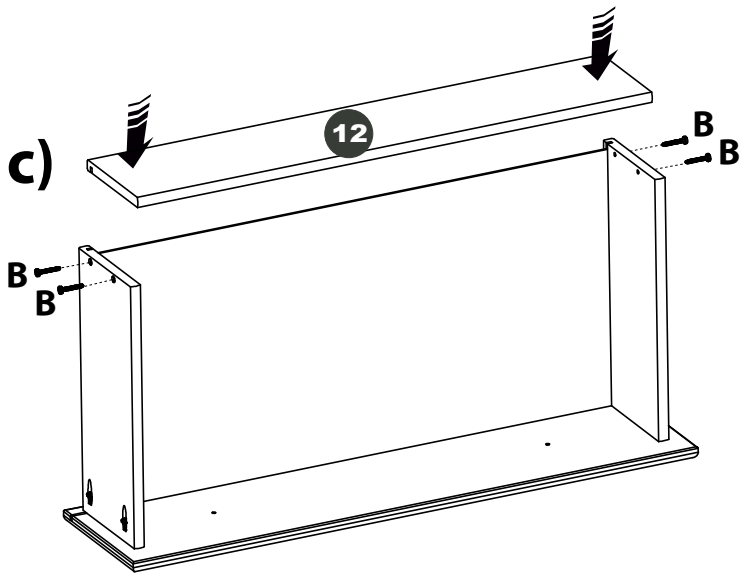
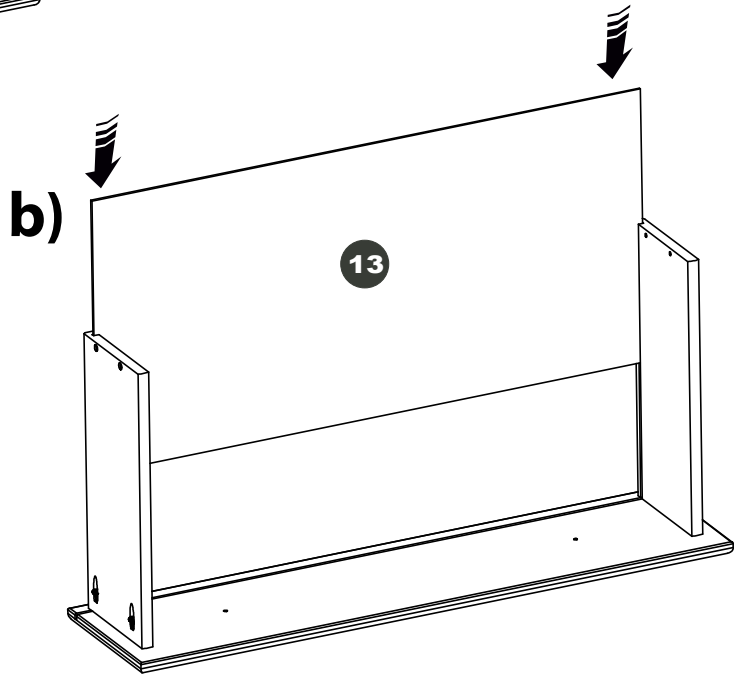
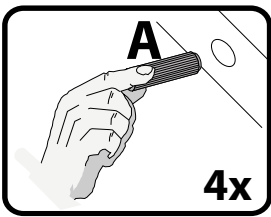
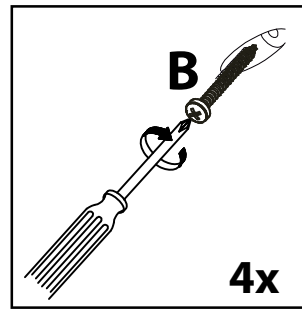
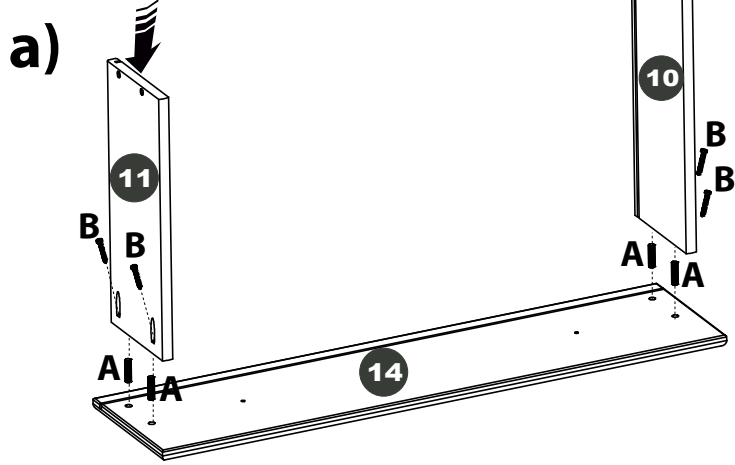


11



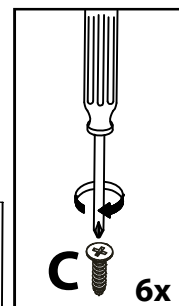
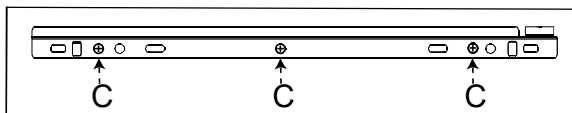
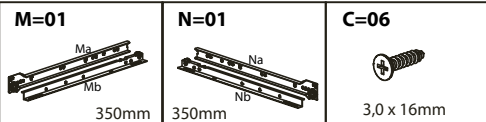
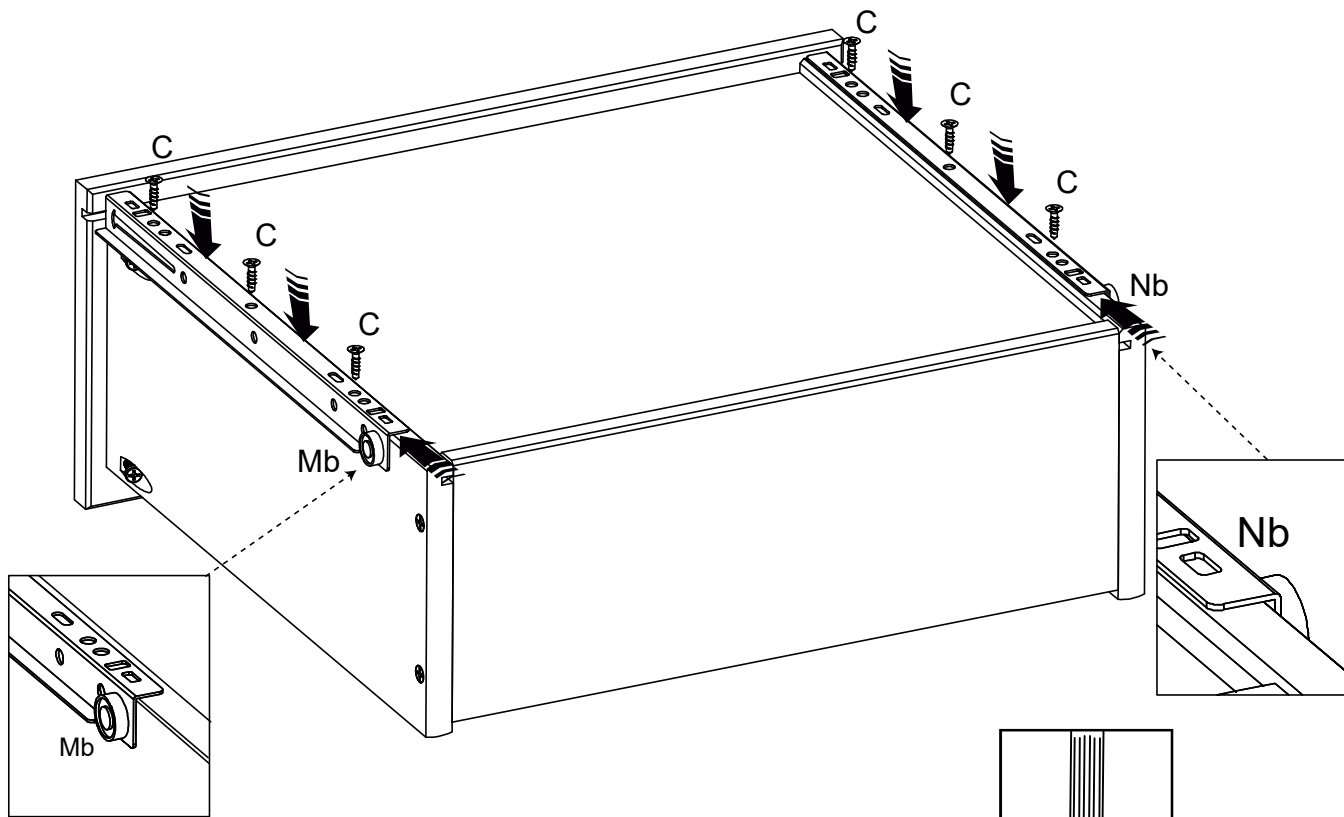
C=01  3,0 x 16mm	I=01 
--	--

12

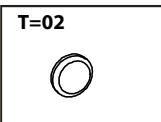
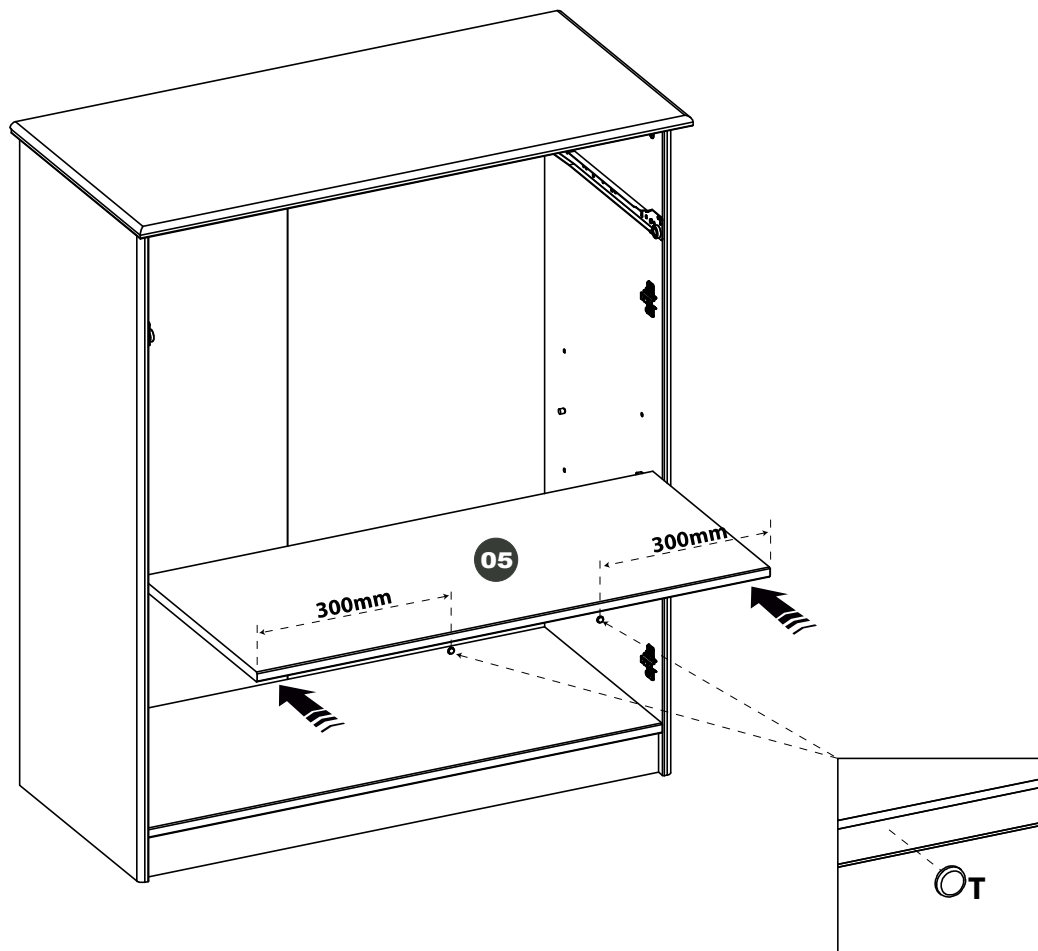


L=02	D=02	A=04	B=08
	4,0 x 40mm	8,0 x 30mm	3,5 x 30mm

13

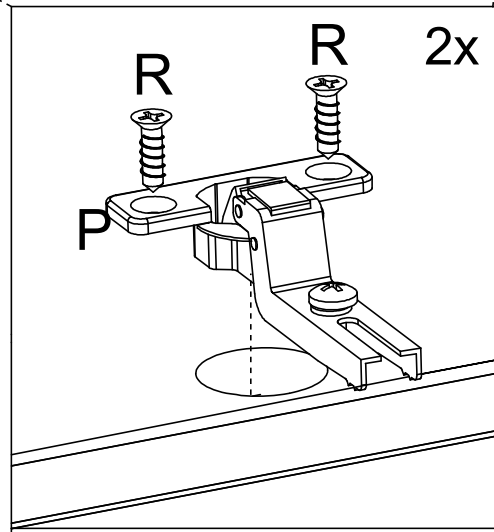
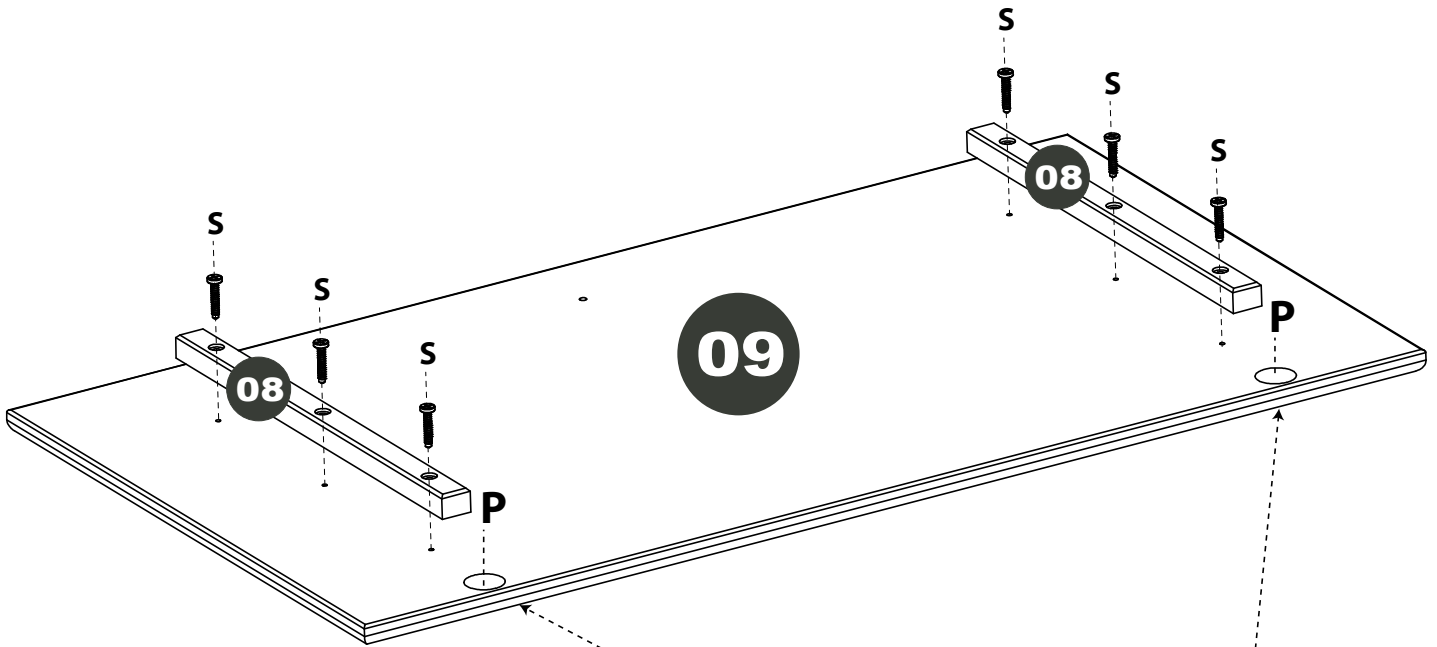





14

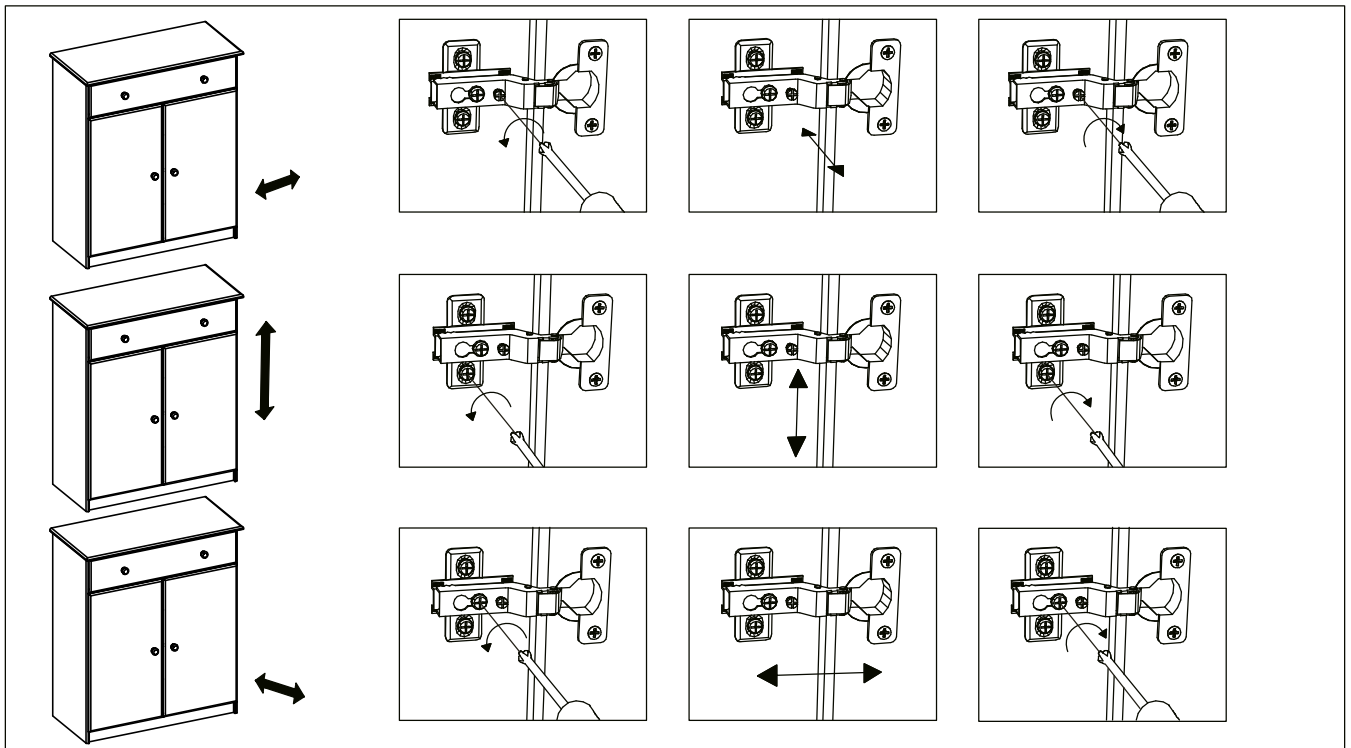
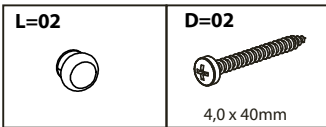
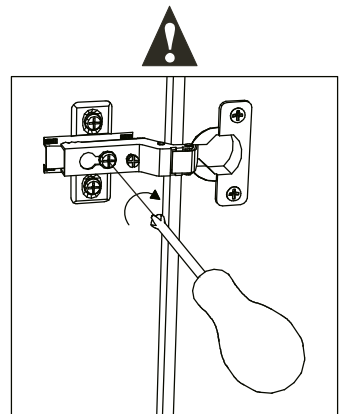
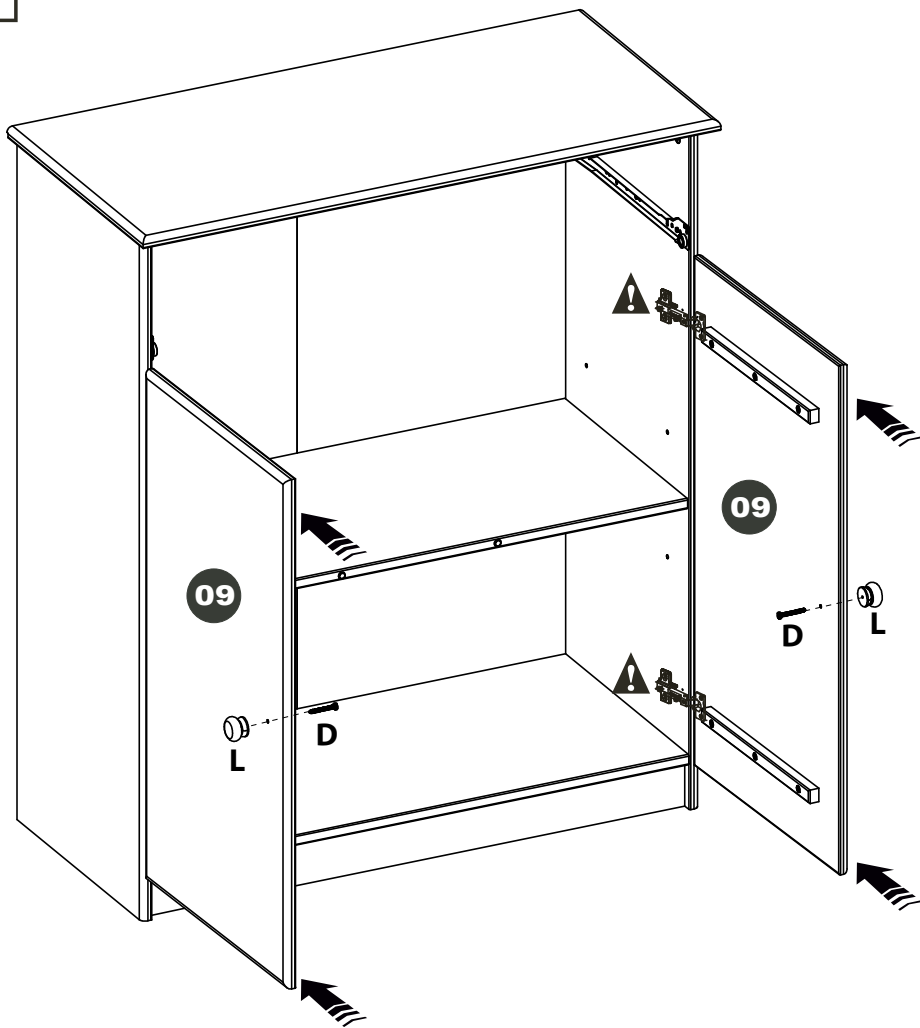


15

2X



<p>P=04</p> 	<p>R=08</p>  <p>4,0 x 16mm</p>	<p>S=12</p>  <p>4,0 x 25mm</p>
--	---	---



17

