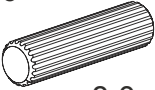

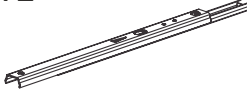
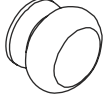
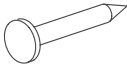
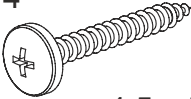


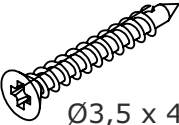

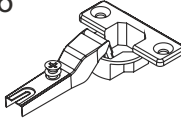
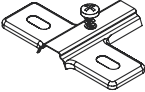
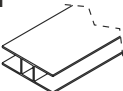
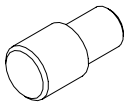
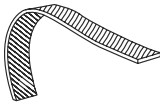

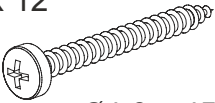
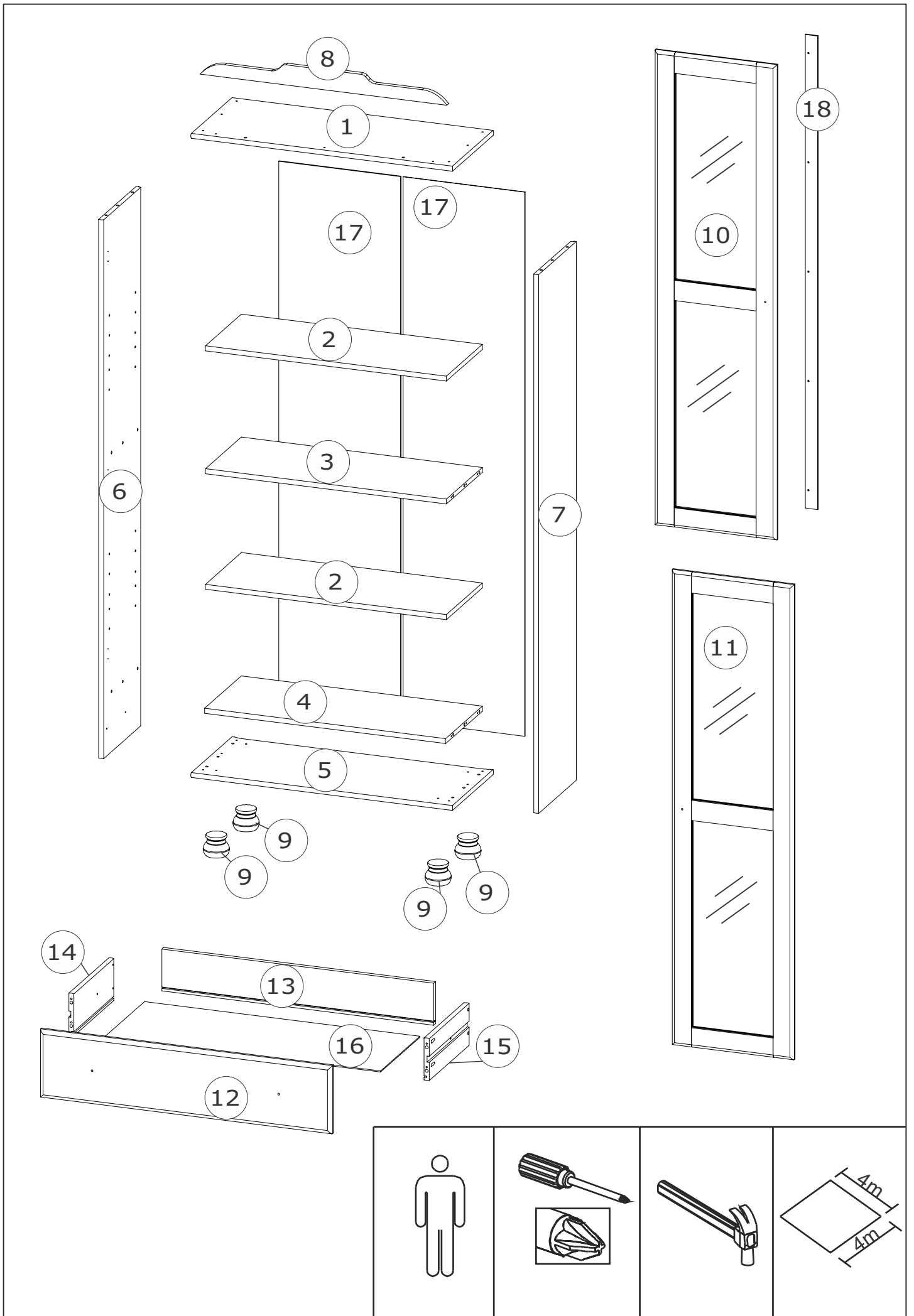
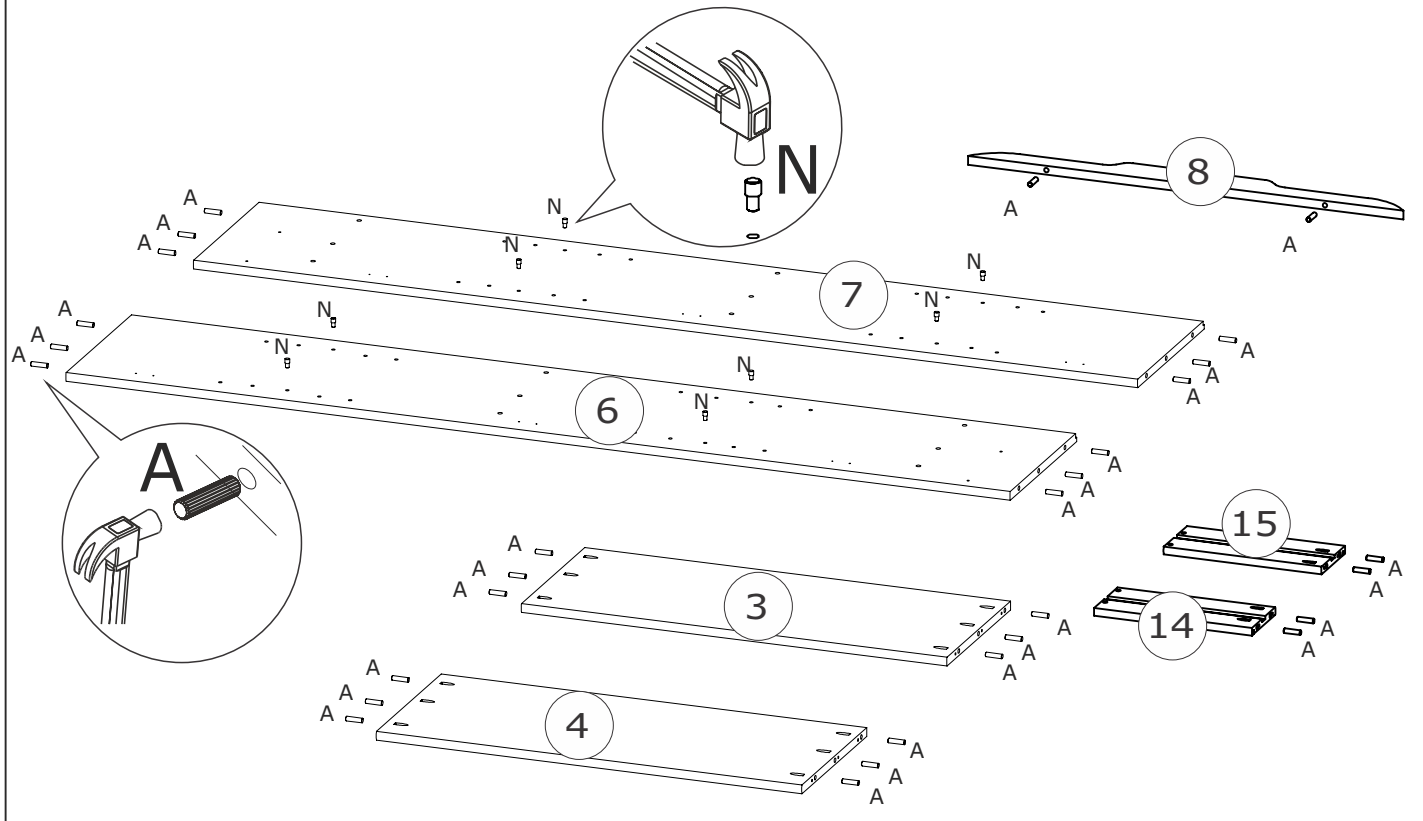
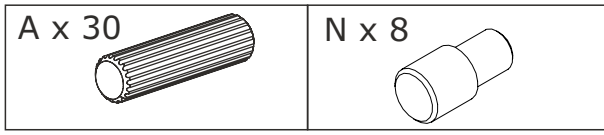


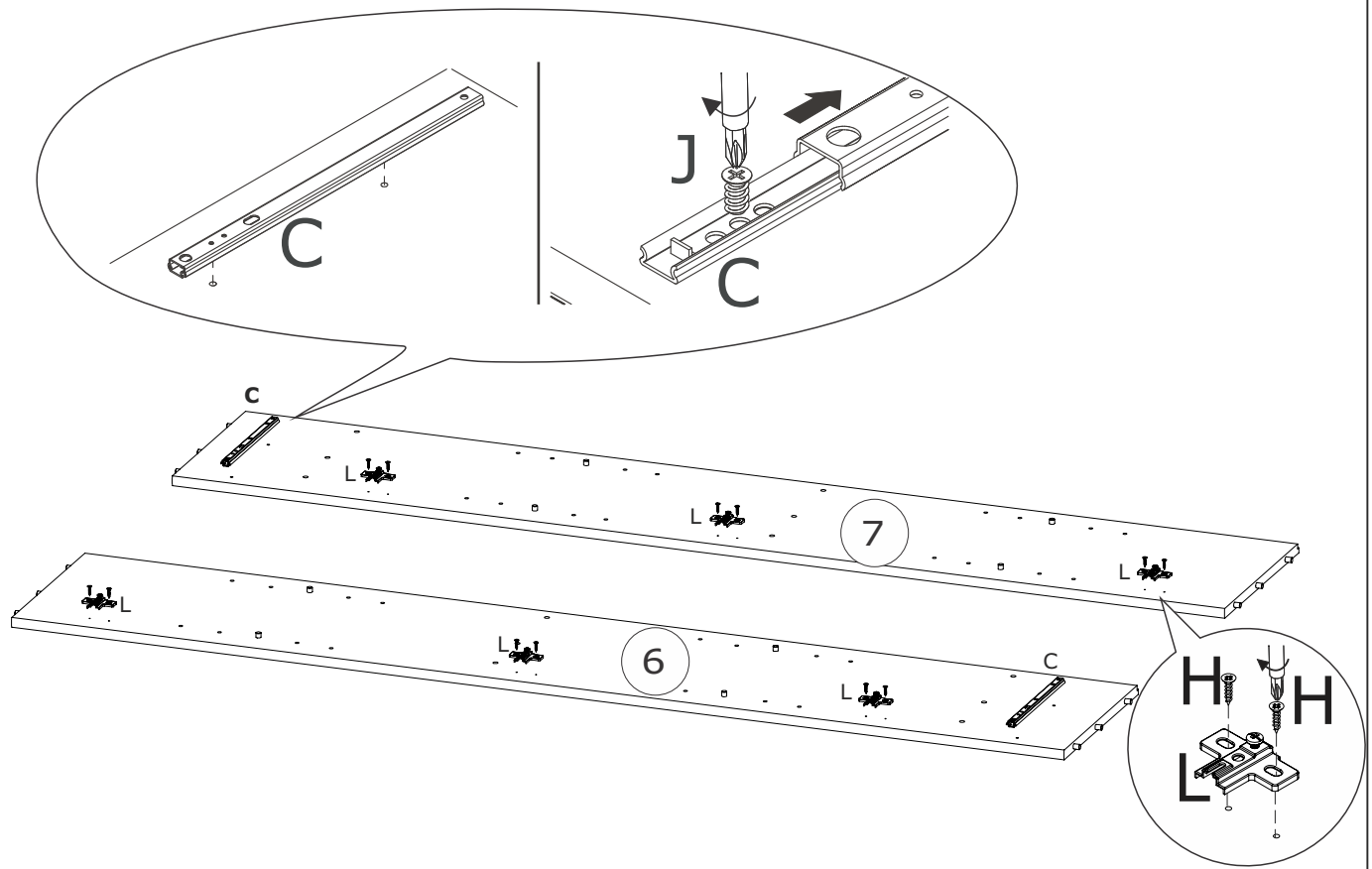
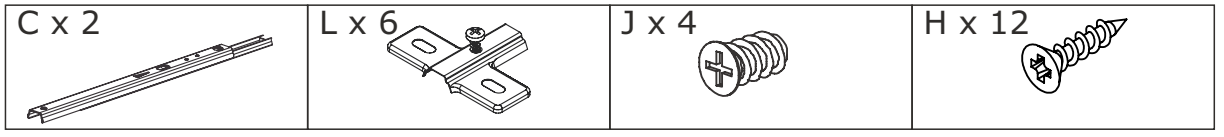
<p>A x 30</p>  <p>8,0 x 30mm</p>	<p>B x 20</p>  <p>4,0 x 30mm</p>	<p>C x 2</p> 	<p>D x 4</p> 
<p>E x 34</p> 	<p>F x 4</p>  <p>4,5 x 50mm</p>	<p>G x 2</p>  <p>M4 x 12mm</p>	<p>H x 30</p>  <p>3,5 x 14mm</p>
<p>I x 7</p>  <p>Ø3,5 x 40mm</p>	<p>J x 4</p>  <p>6,0 x 10mm</p>	<p>K x 6</p> 	<p>L x 6</p> 
<p>M x 1</p> 	<p>N x 8</p> 	<p>O x 1</p> 	<p>P x 2</p> 
<p>Q x 12</p>  <p>Ø4,0 x 45mm</p>			



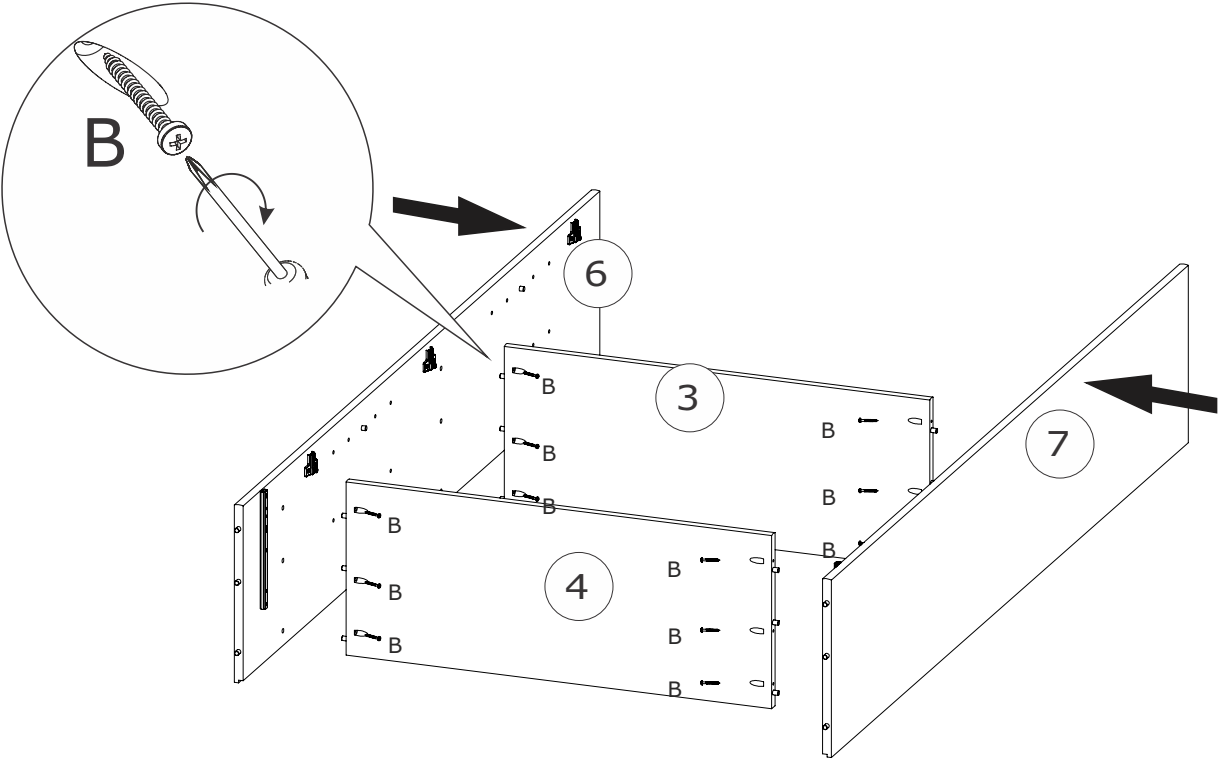
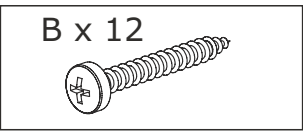
01



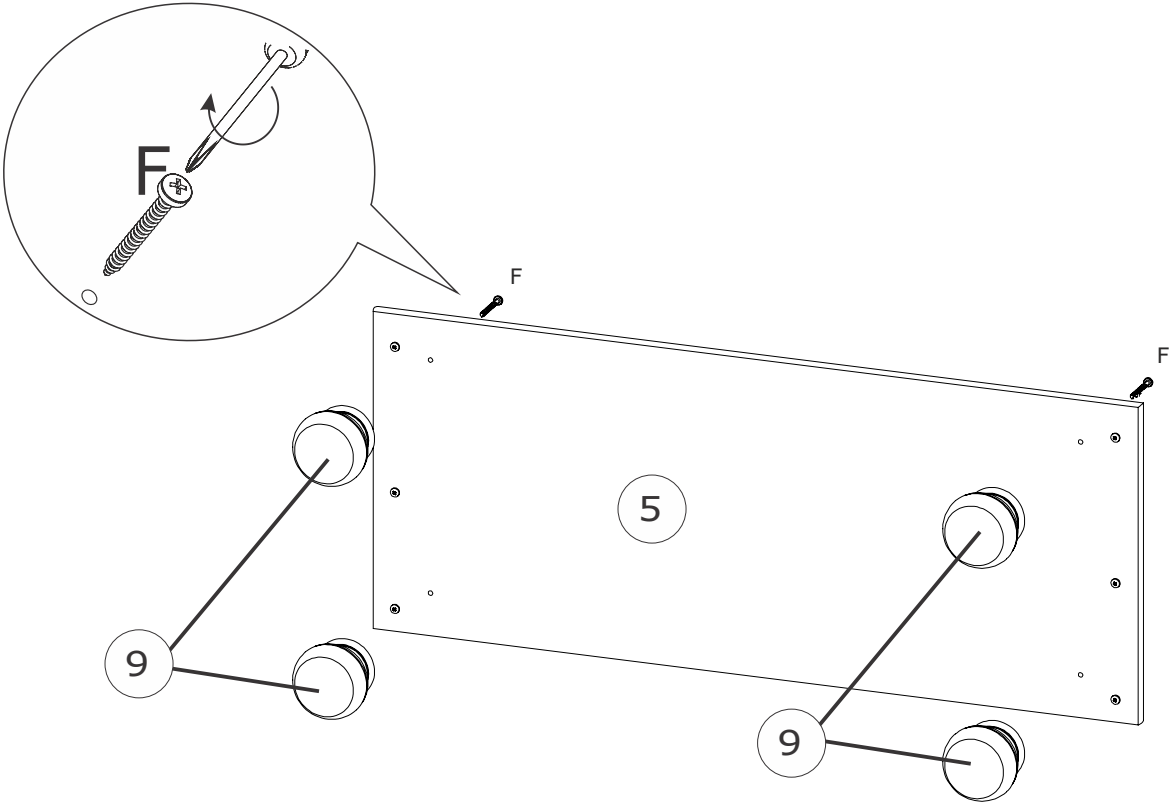
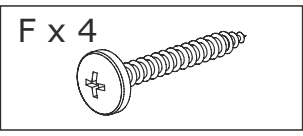
02



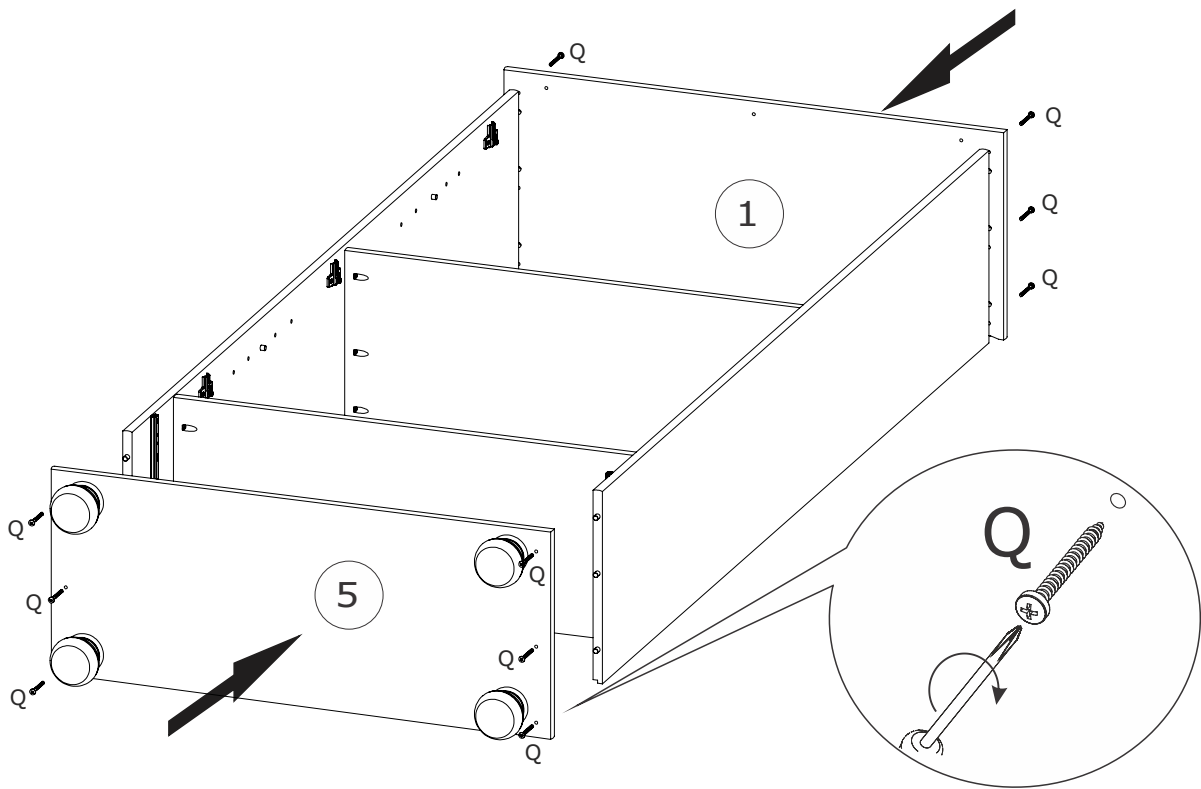
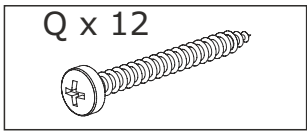
03



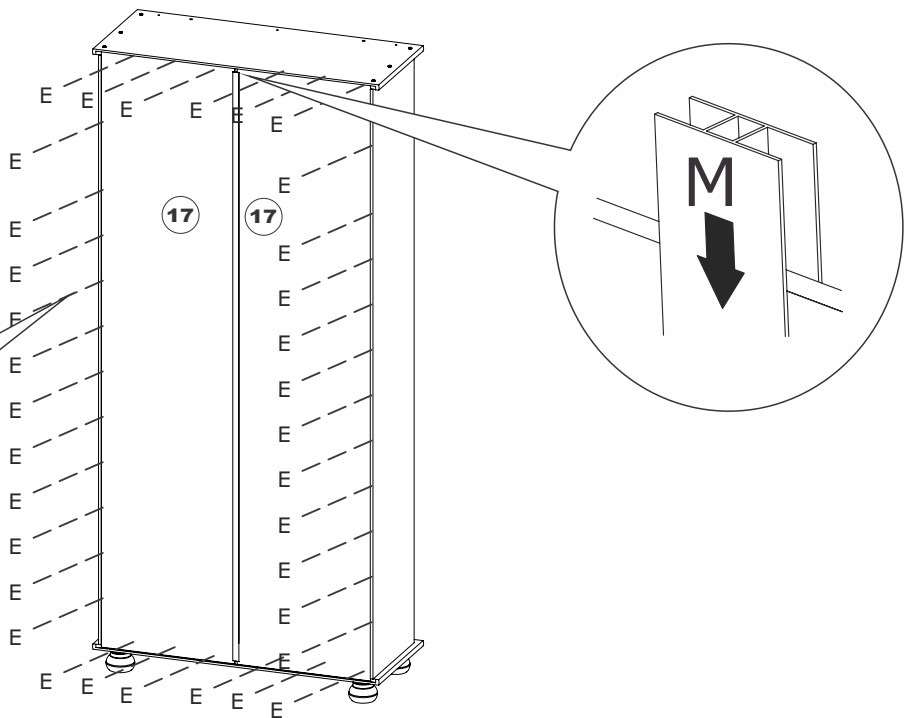
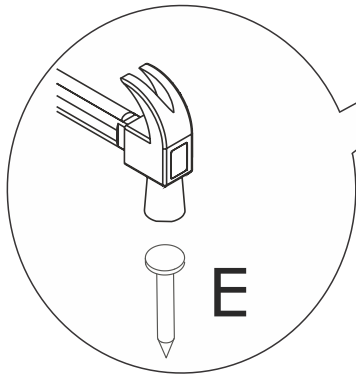
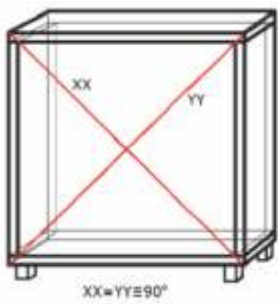
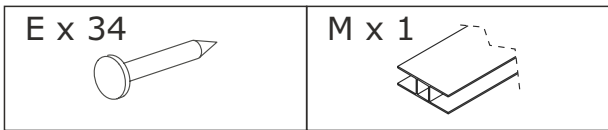
04



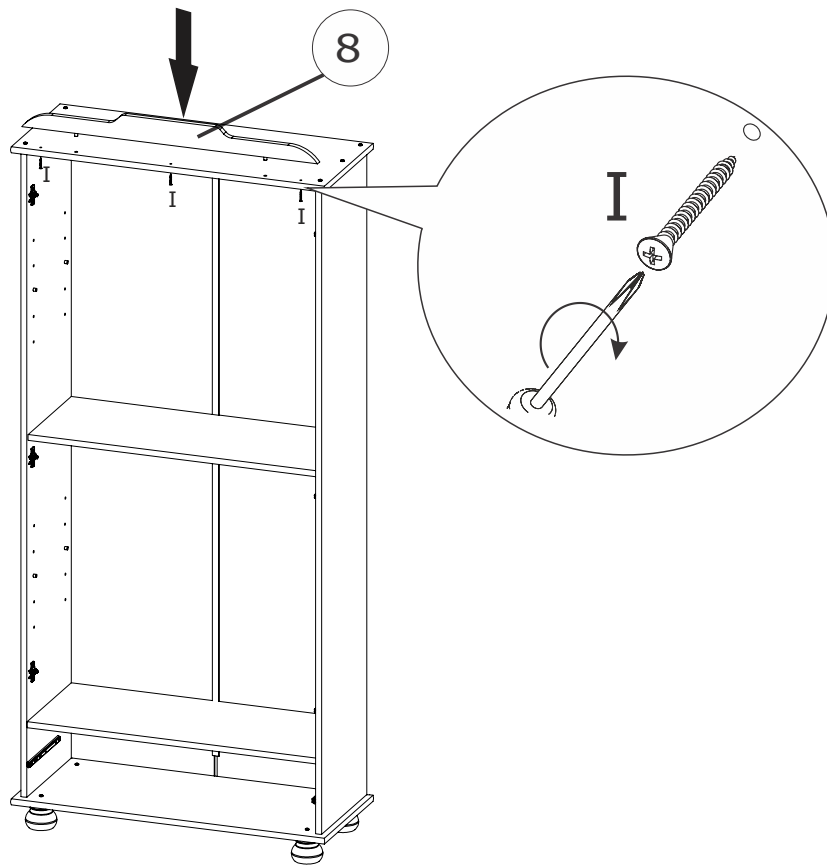
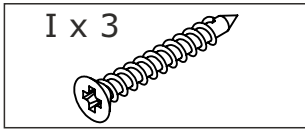
05



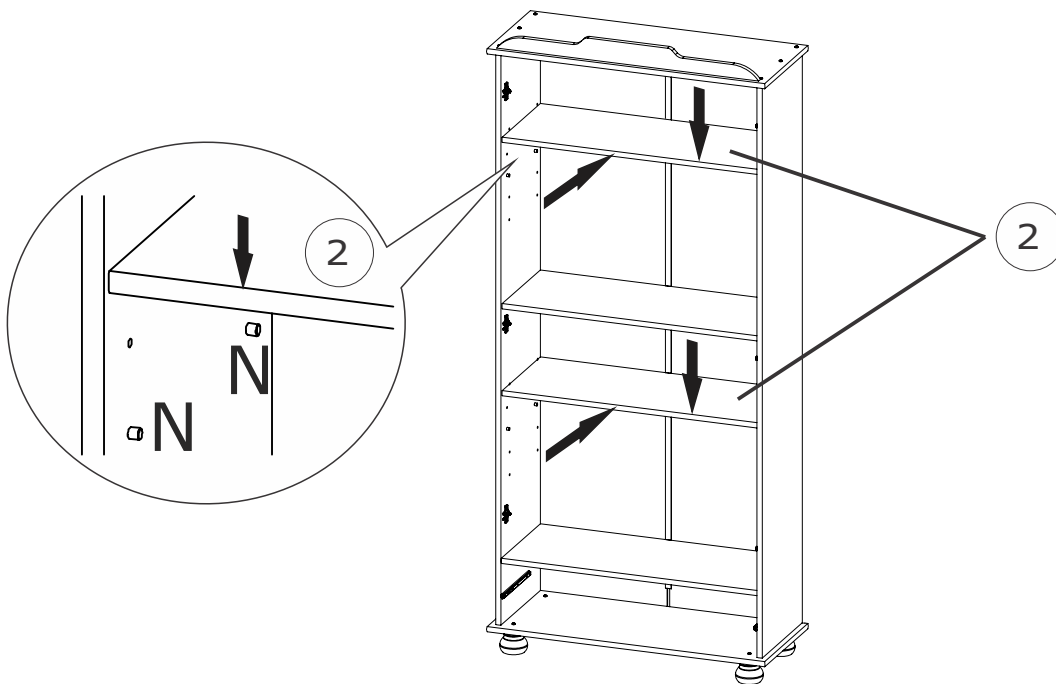
06



07

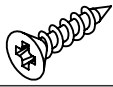


08



09

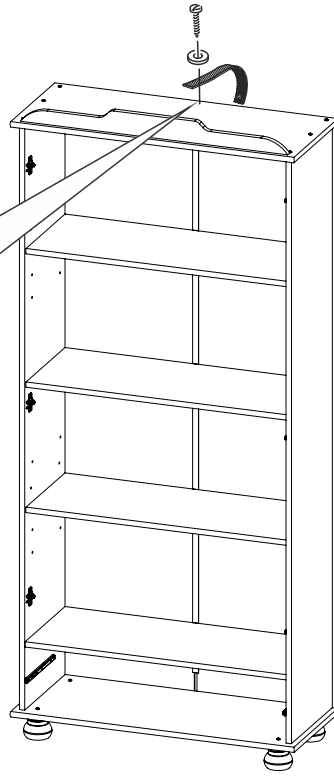
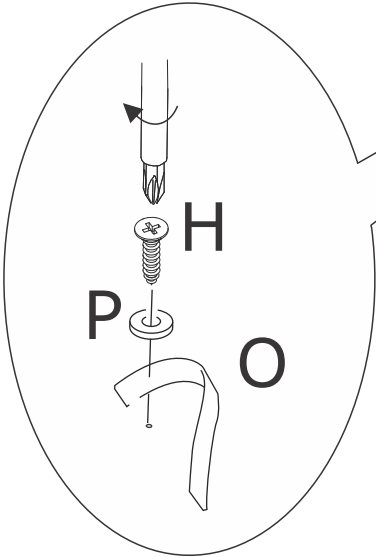
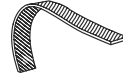
H x 1



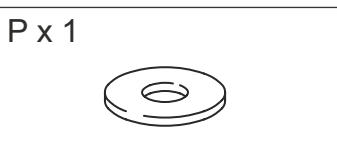
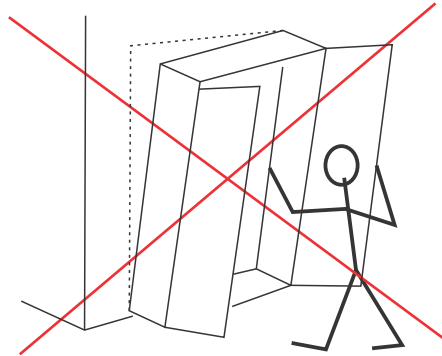
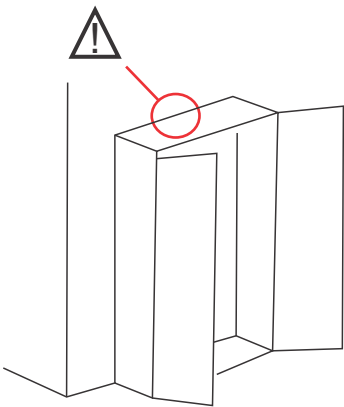
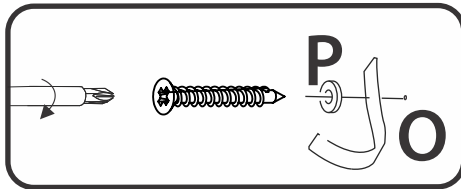
P x 1



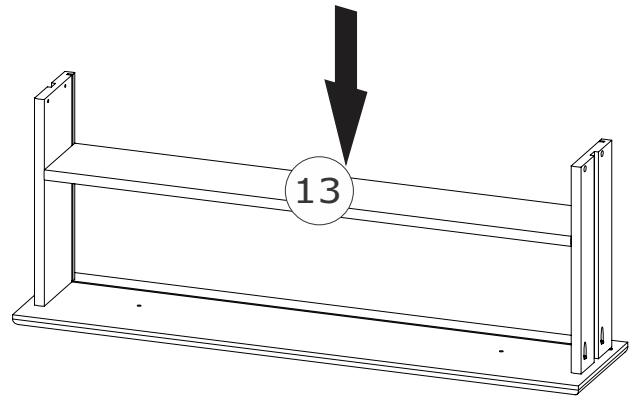
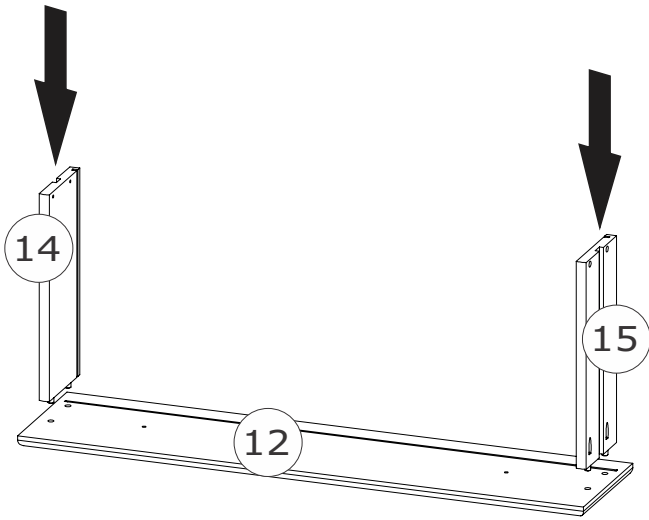
O x 1



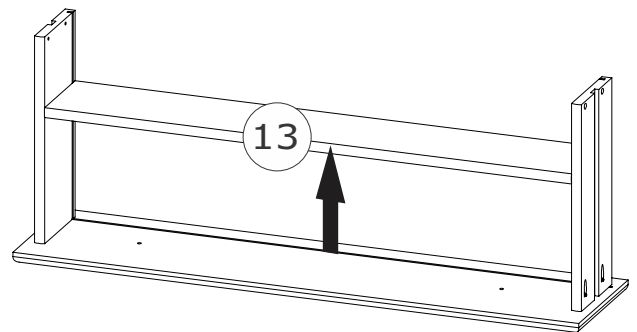
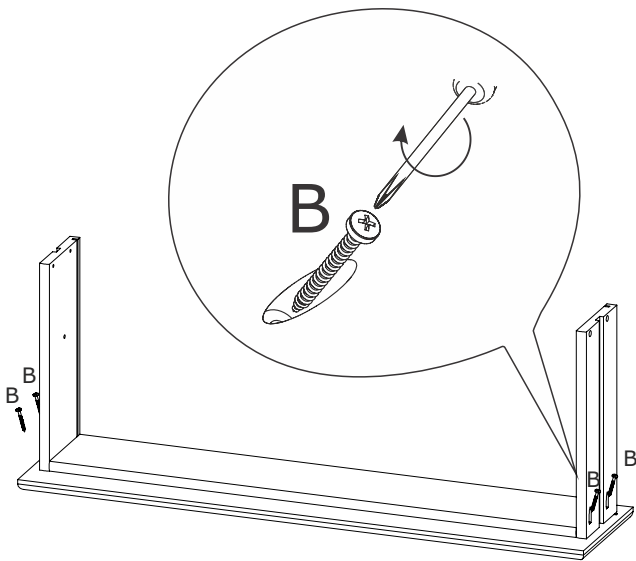
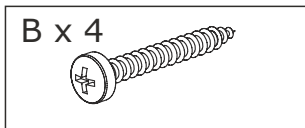
10



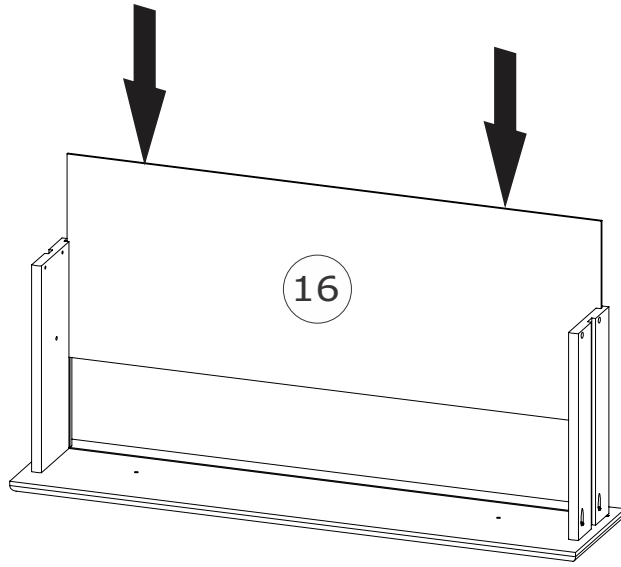
11



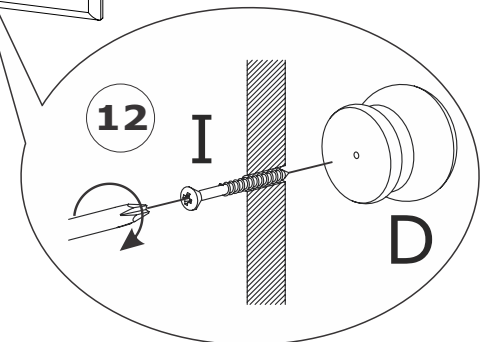
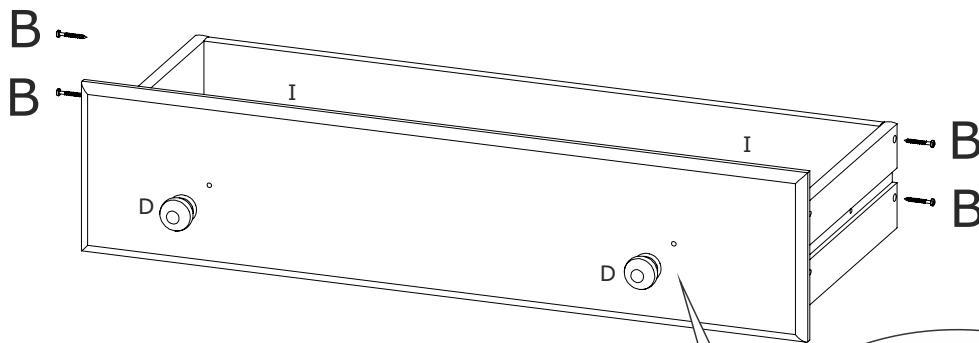
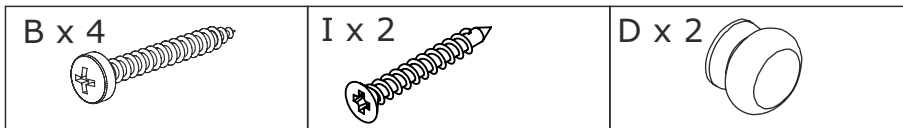
12



13

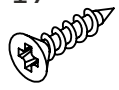


14

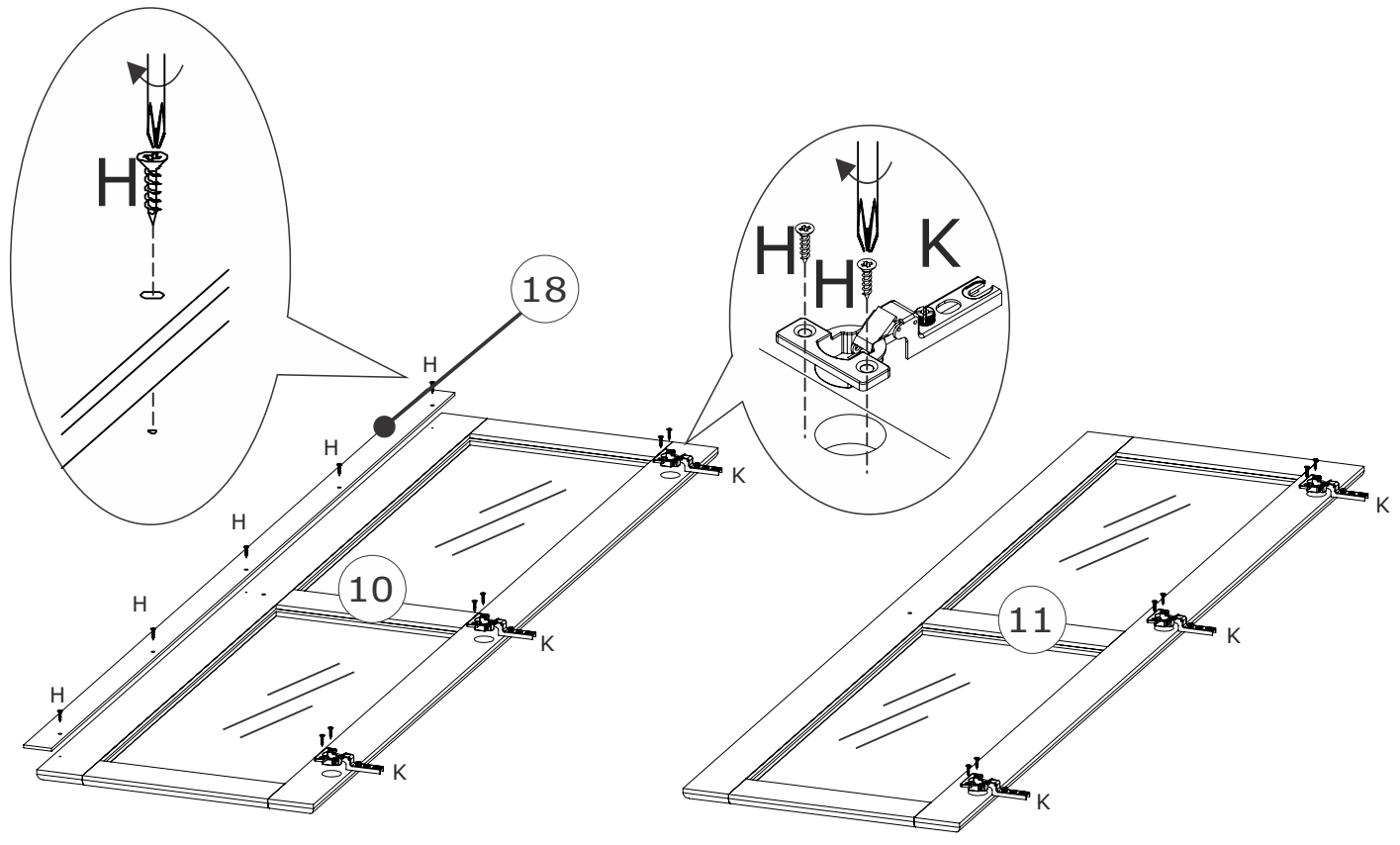
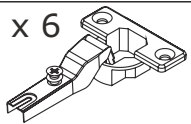


15

H x 17

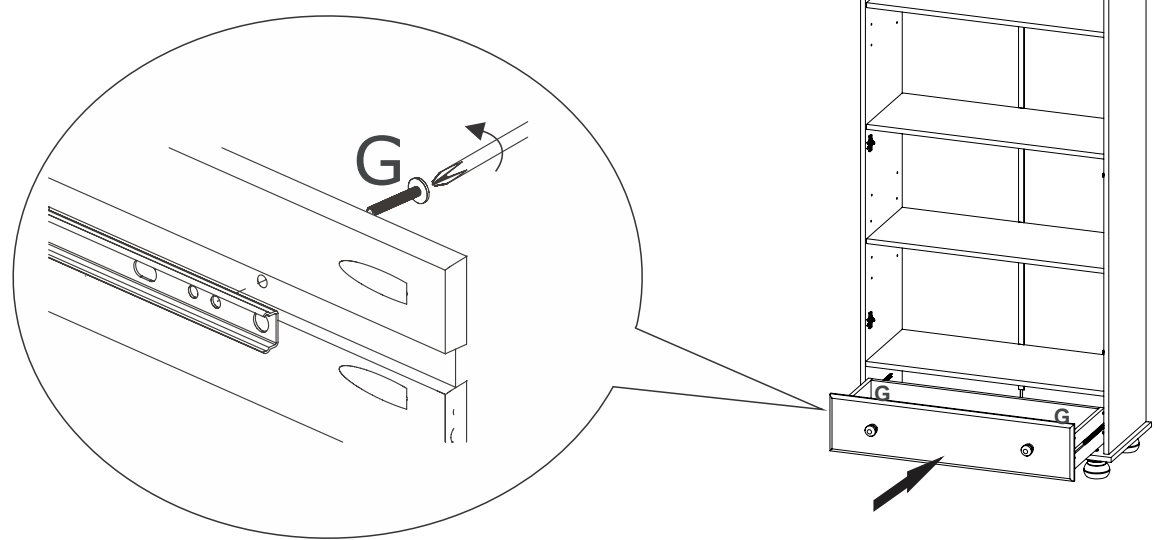


K x 6



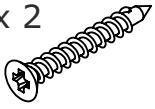
16

G x 2



17

I x 2



D x 2

