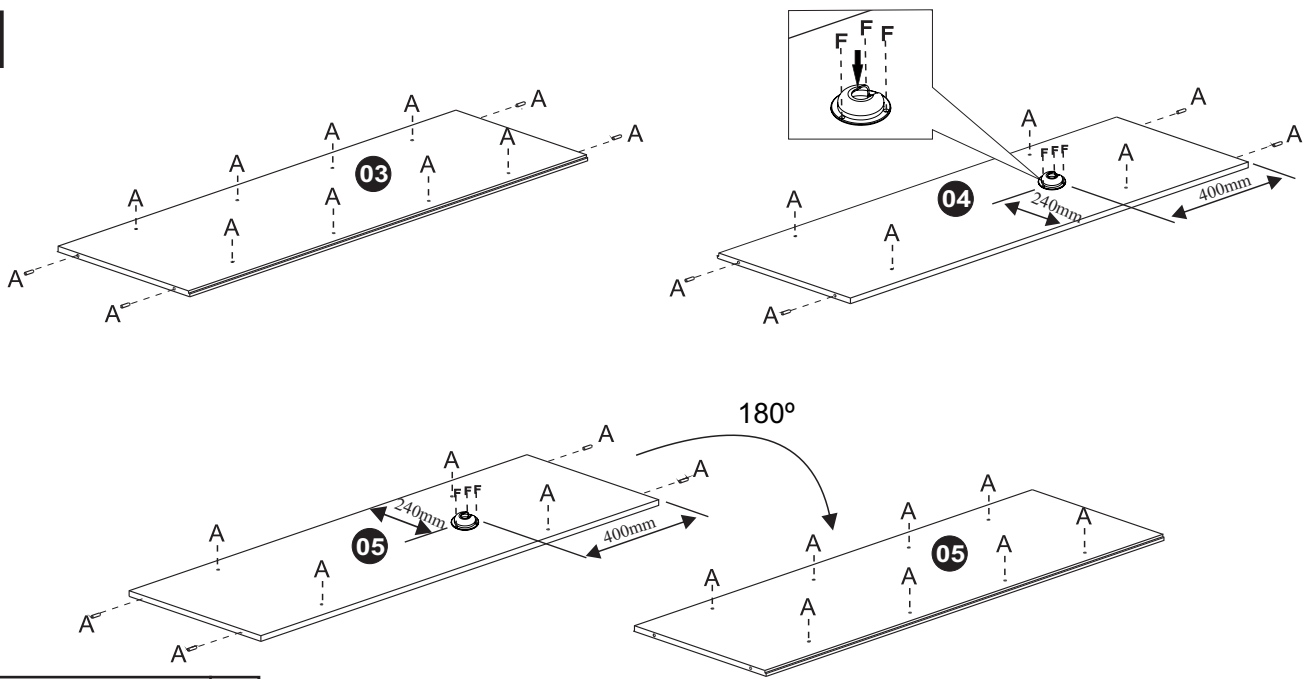





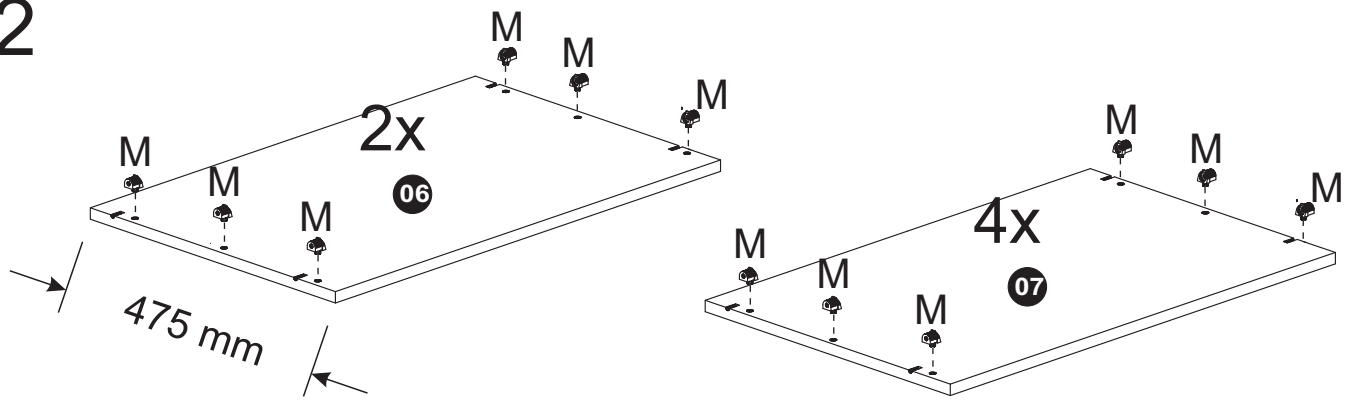
A	8,0 x 30	54	E		08	I	I1 I2	02			
B		02	F	3,5 x 14	78	J		10			
C	4,0 x 45	24	G	3,5 x 14	32	K	3,5 x 25	36	M		36
D	3,5 x 30	27	H	H1 H2	02	L	35mm	12	N	3,5 x 20	12


01



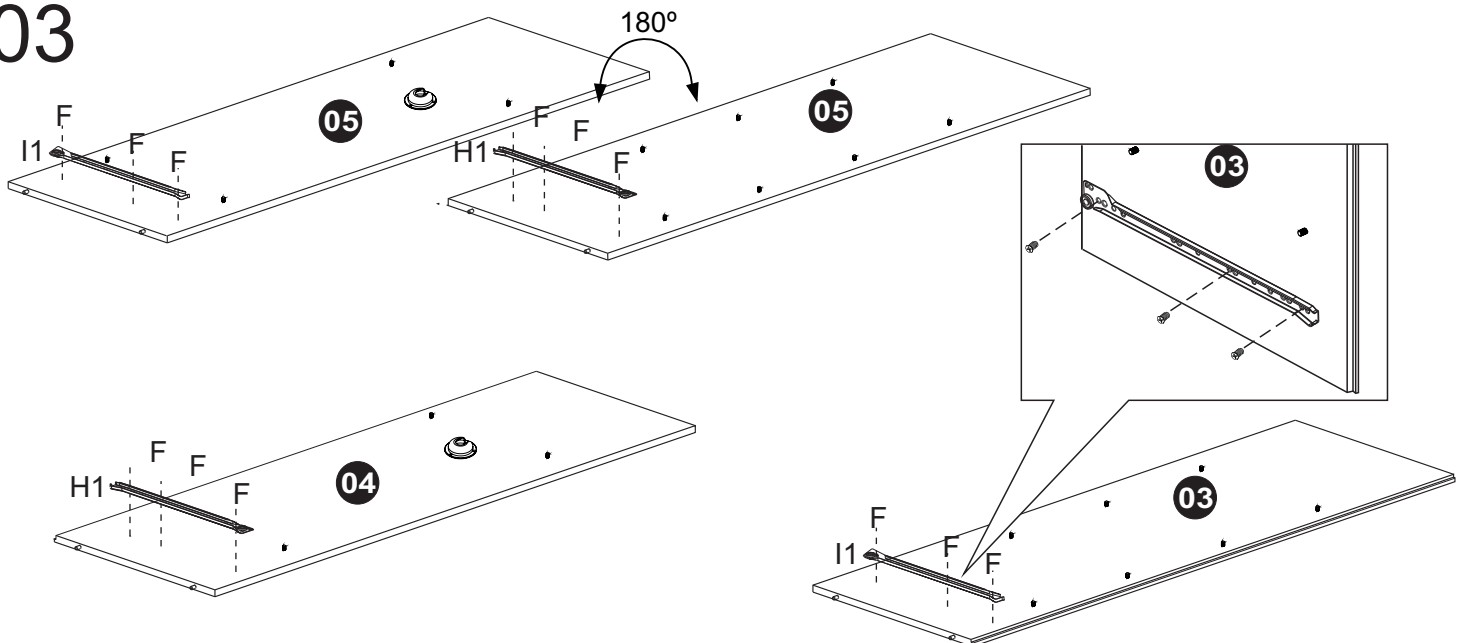
F		3,5 X 14	06
A		8,0 x 30	36
B			02




02



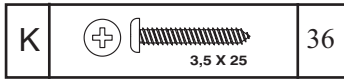
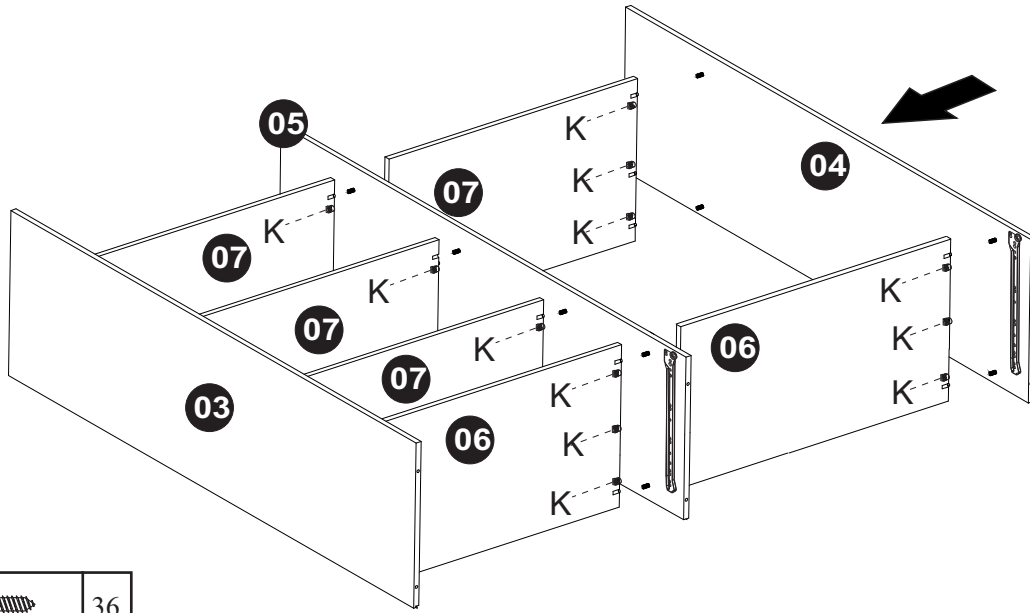
M			36
---	---	--	----

03

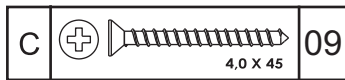
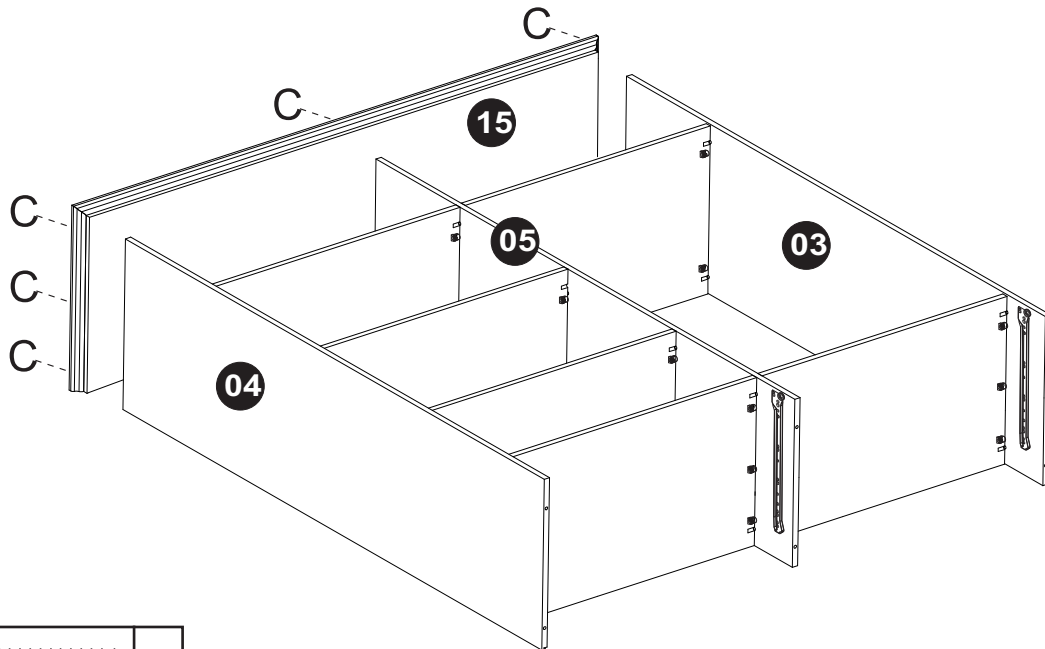


H	H1		02	I	I1		02	F		3,5 X 14	12
---	----	---	----	---	----	---	----	---	---	----------	----

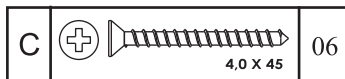
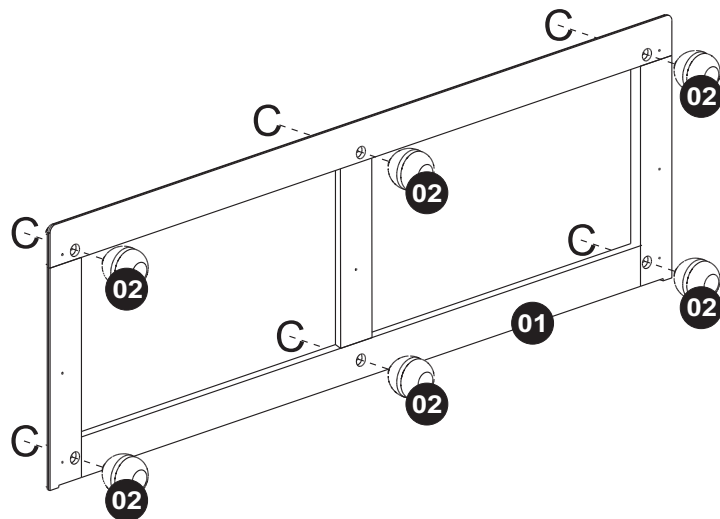
04



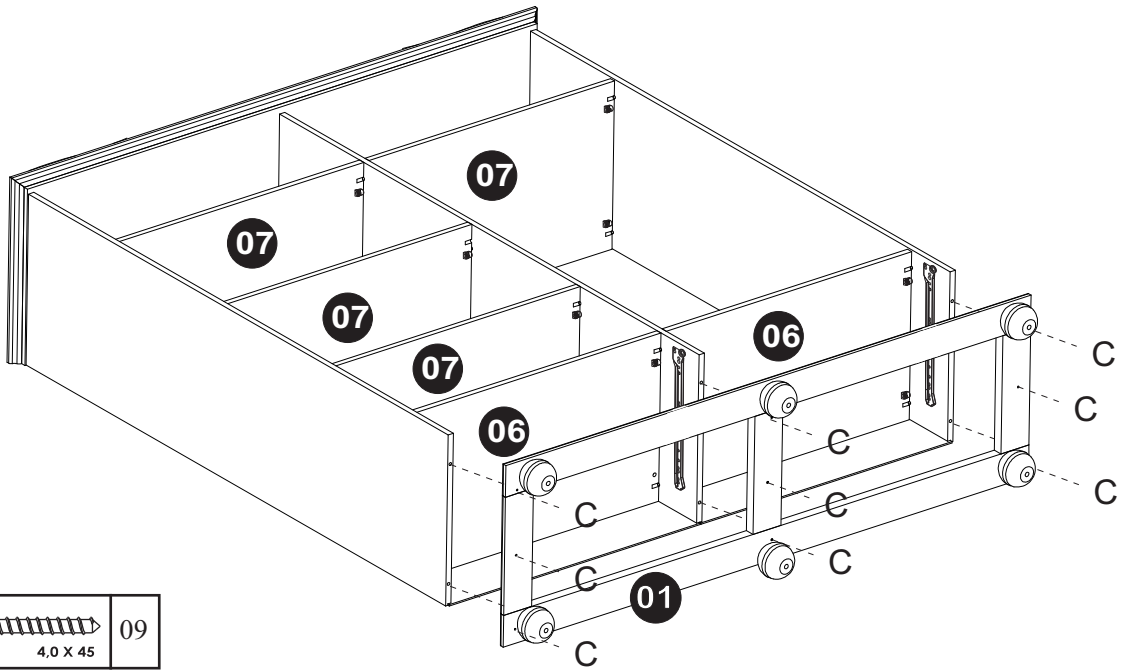
05




06

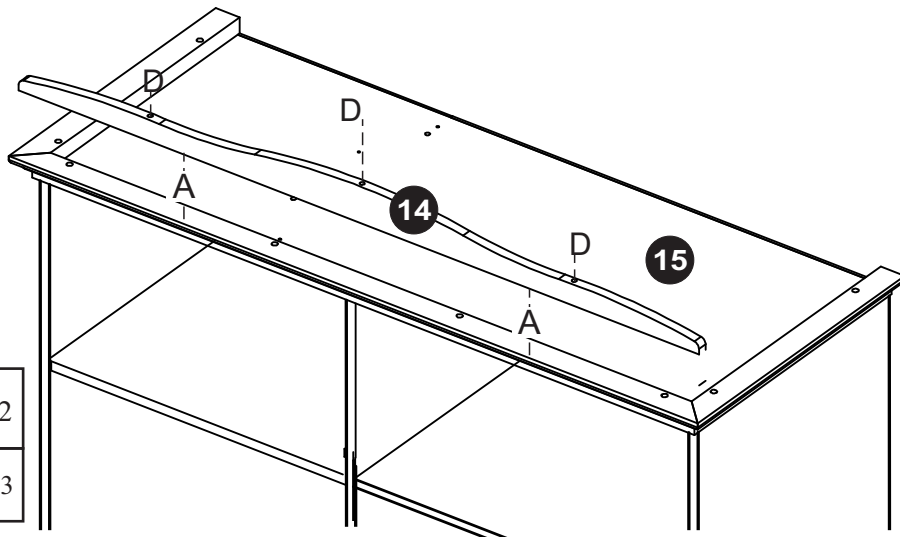




07



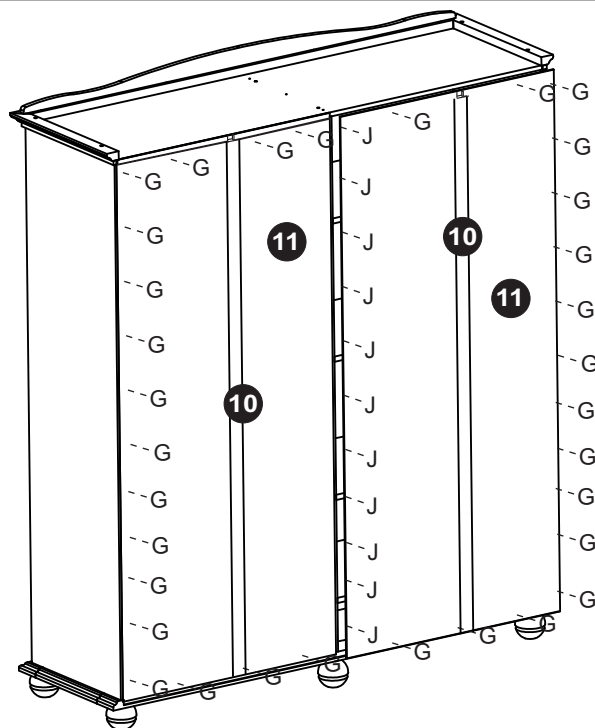
C		4,0 X 45	09
---	---	----------	----



08



A		8,0 x 30	02
D		3,5 X 30	03

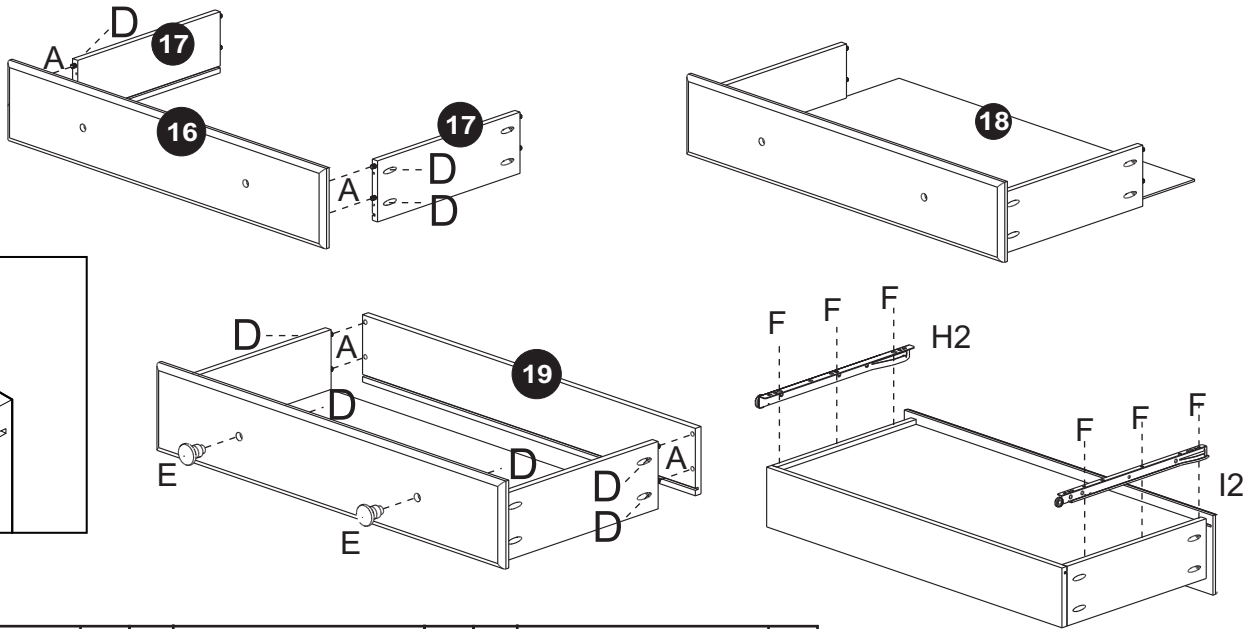
09



J		10	G		3,5 x 14	32
---	---	----	---	---	----------	----

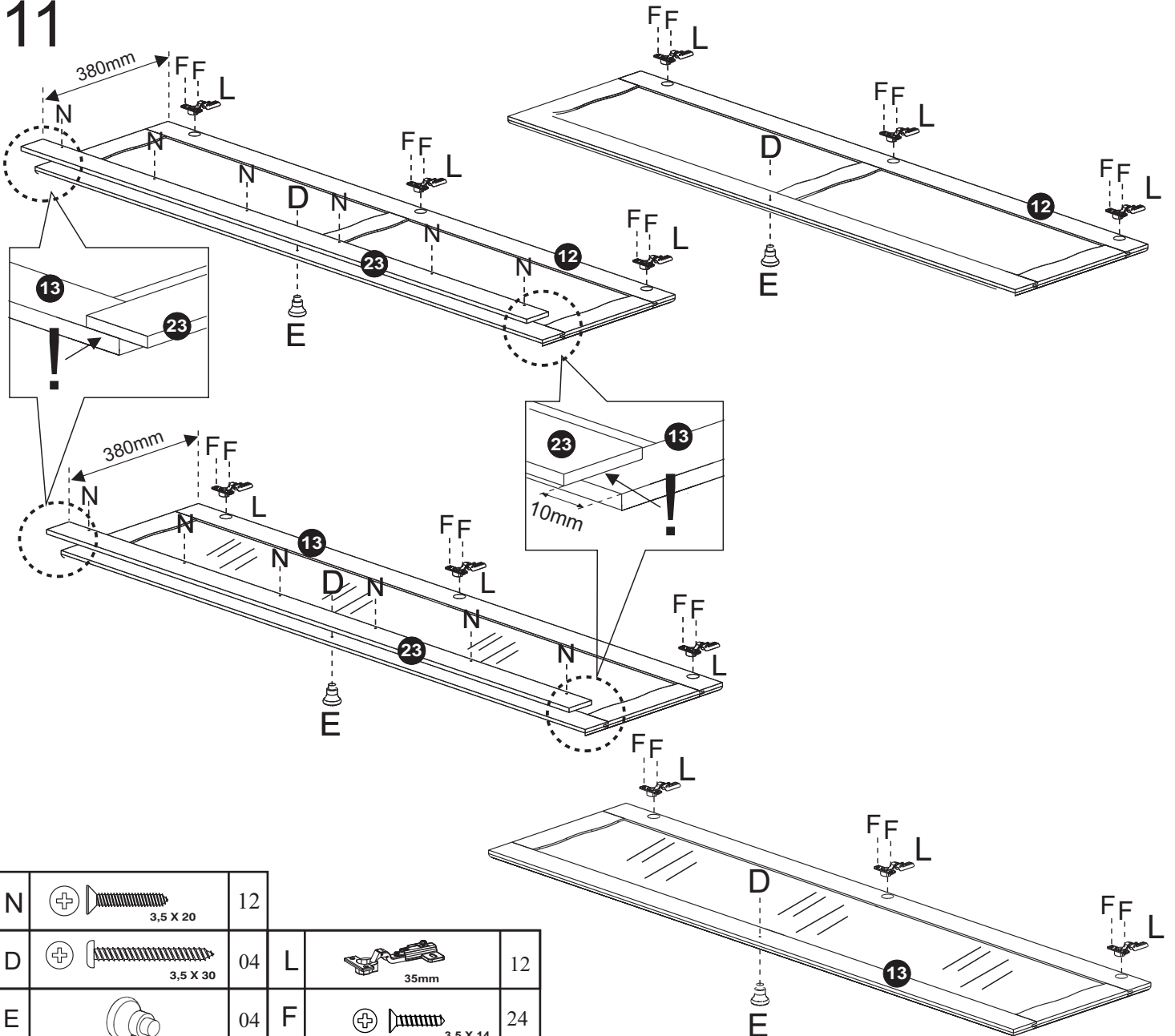
10

2x



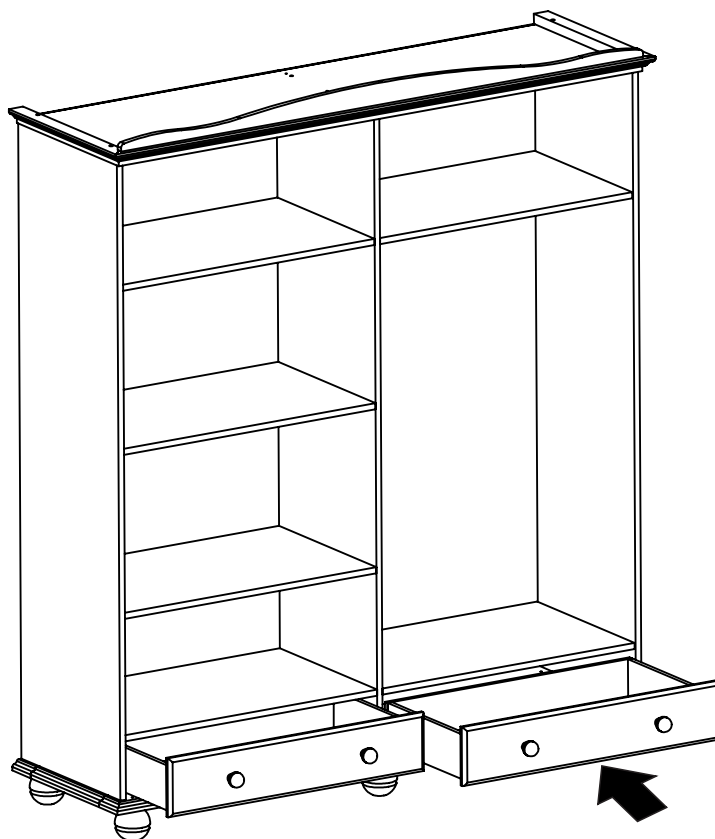
A		16	D		20	F		12		
E		04	H	H2		02	I	I2		02

11

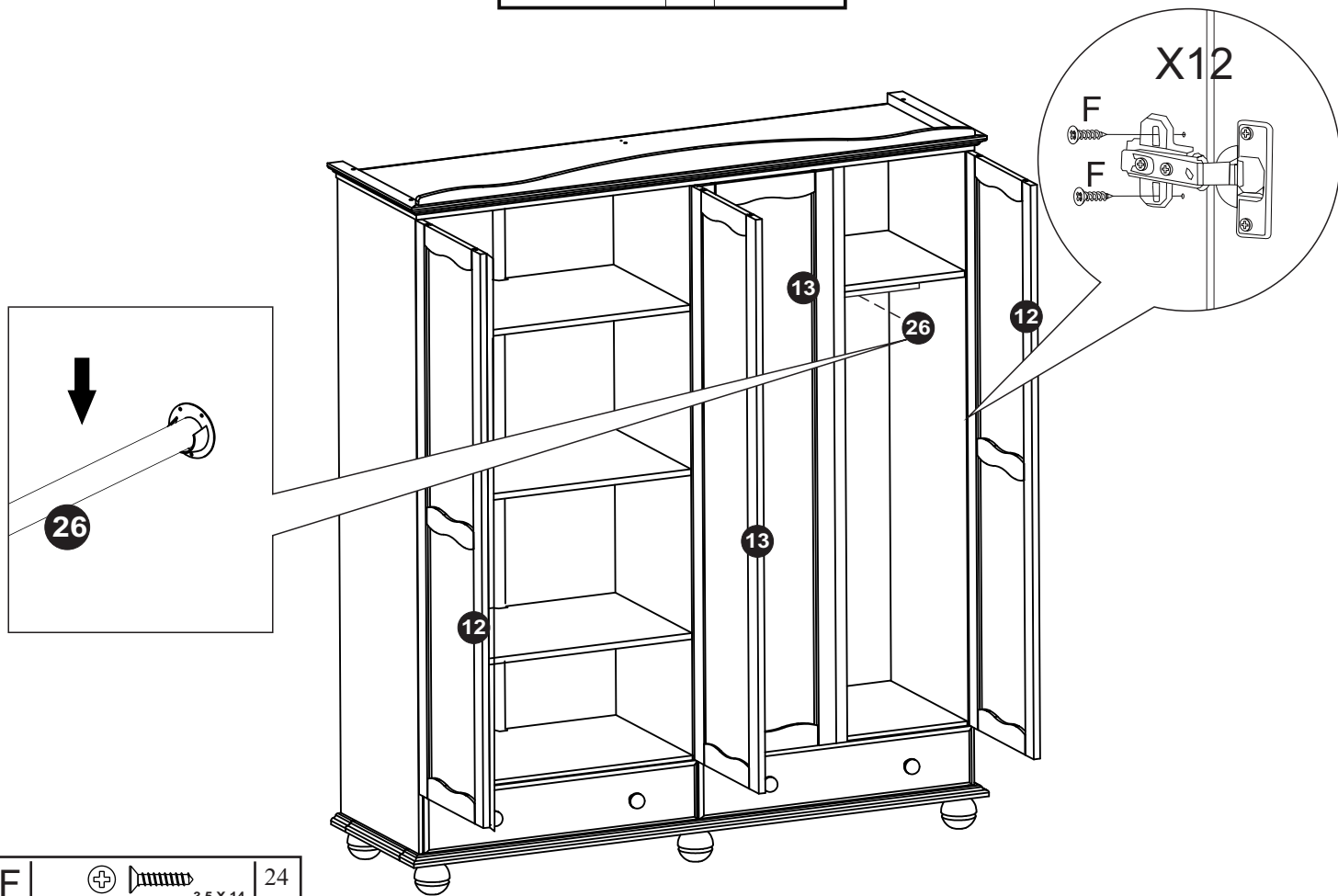
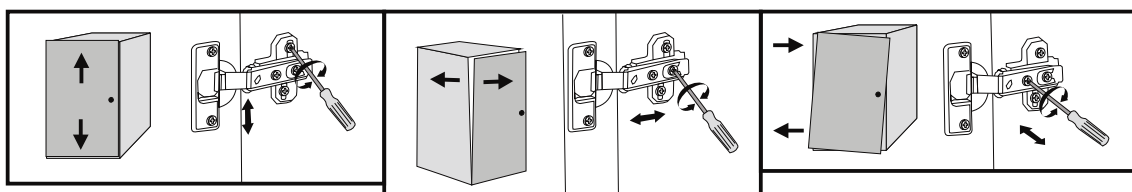



N		12	L		12
D		04	F		24
E		04			

12



13



F		3,5 X 14	24
---	---	----------	----