

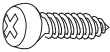
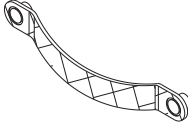
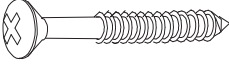


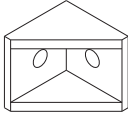
A x 50  Ø8x30mm

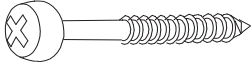
I x 12 

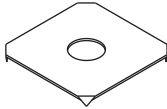
B x 27  Ø3,5x14mm

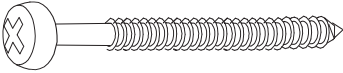
J x 4 

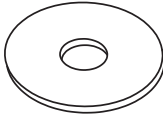
C x 20  Ø3,5x30mm

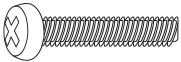
K x 11 

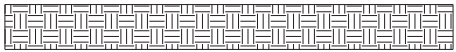
D x 5  Ø4,0x35mm

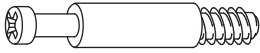
L x 16 

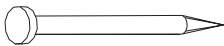
E x 12  Ø4,5x50mm


M x 2 

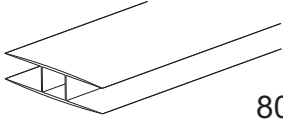
F x 8  ØM4x16mm

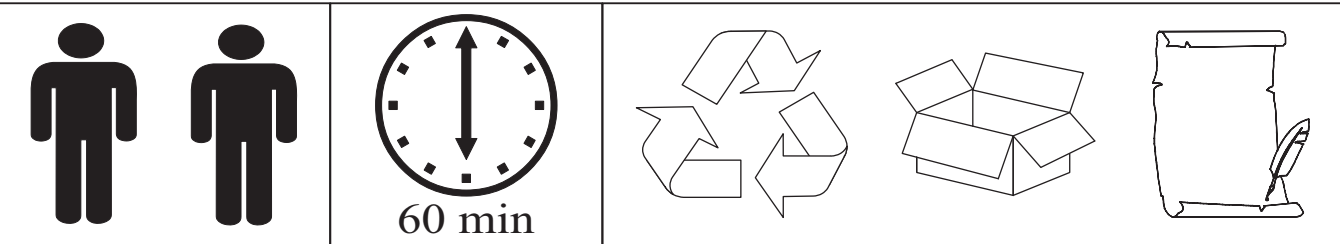
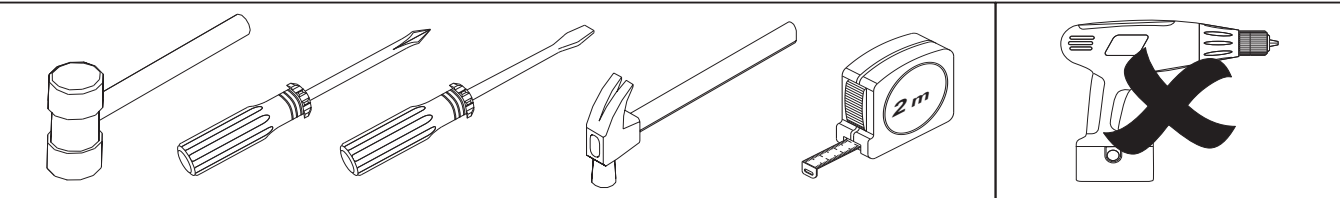
N x 1 

G x 20 

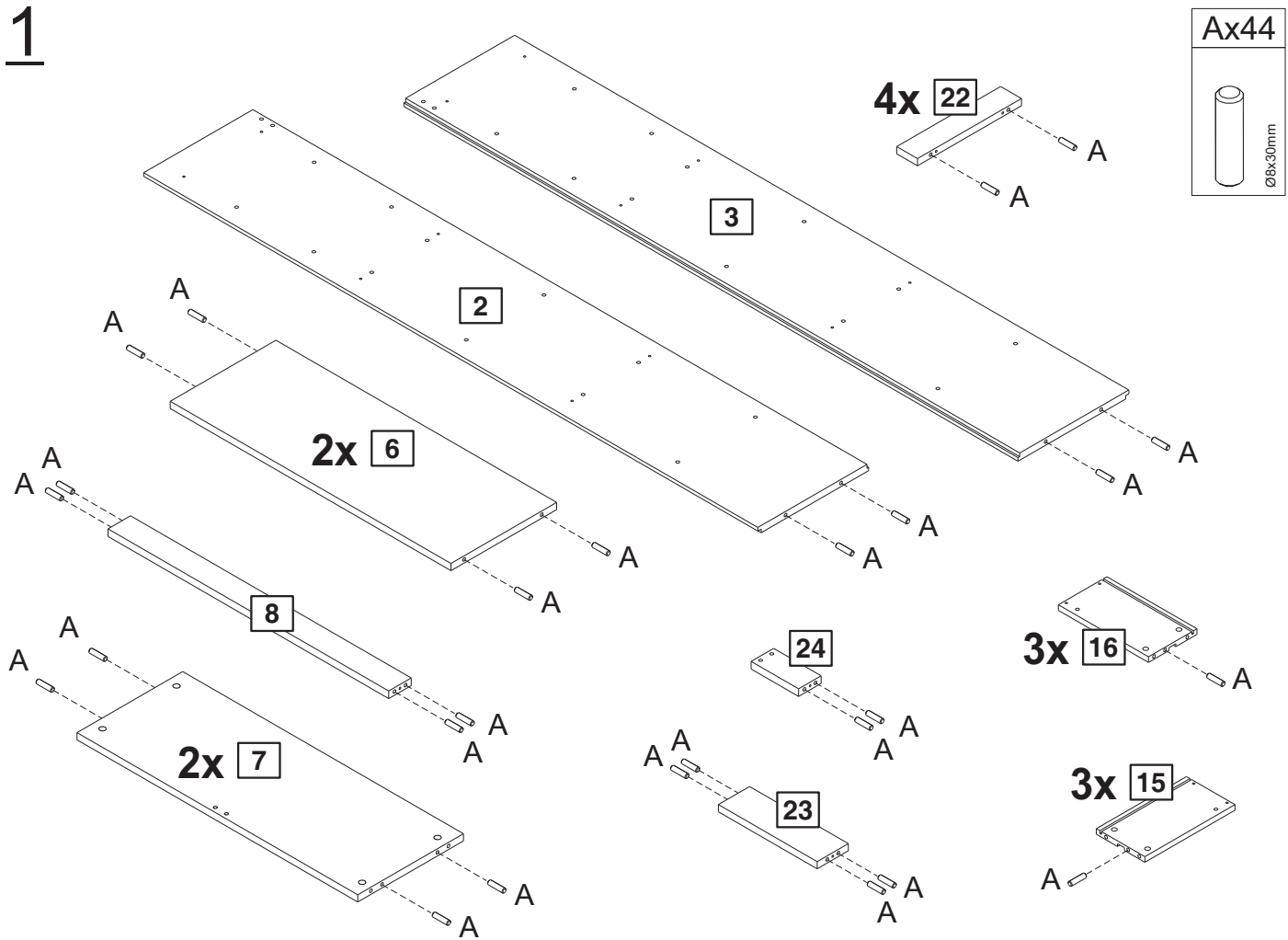
O x 54 

H x 8 

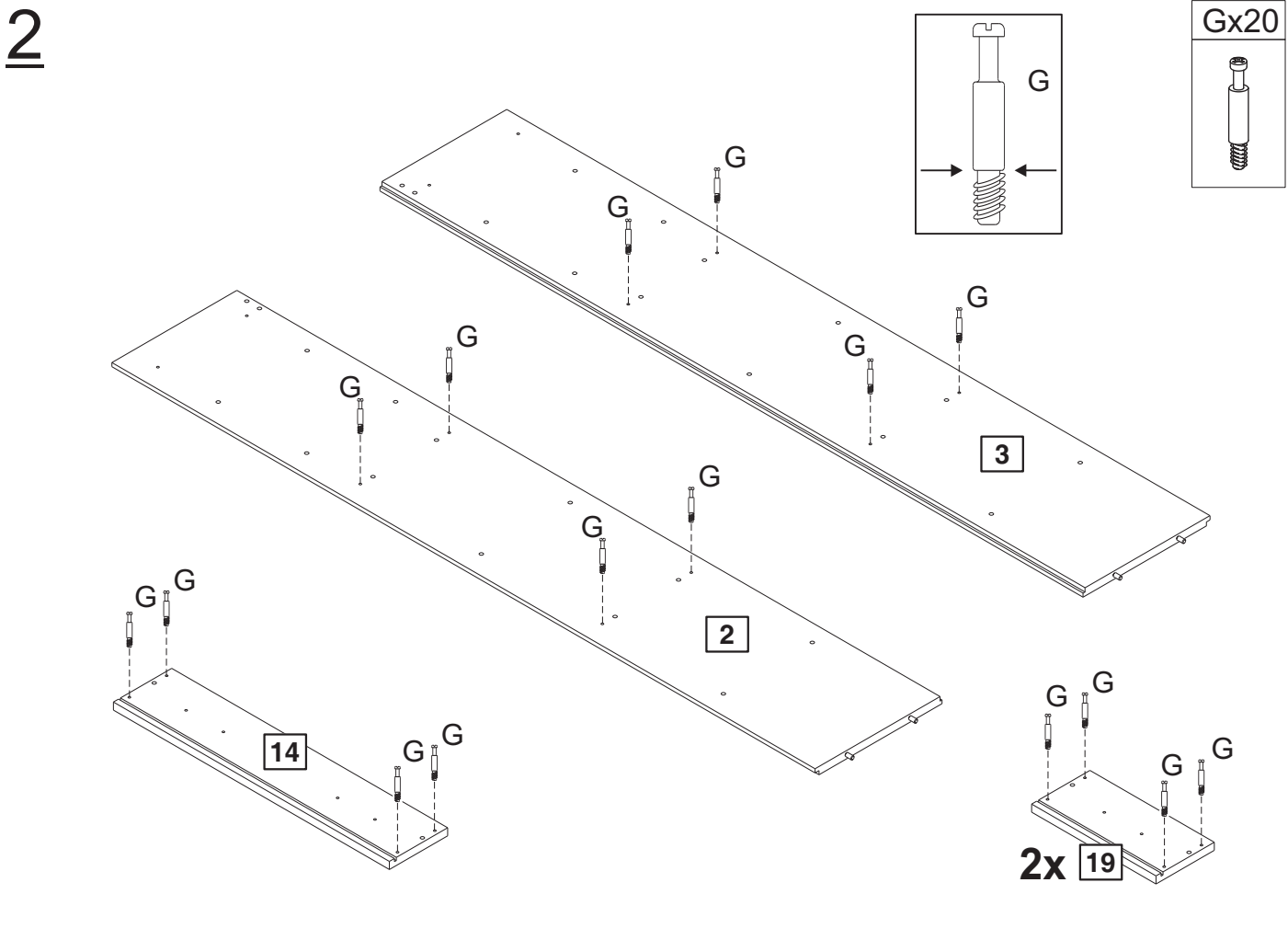
P x 1  805mm



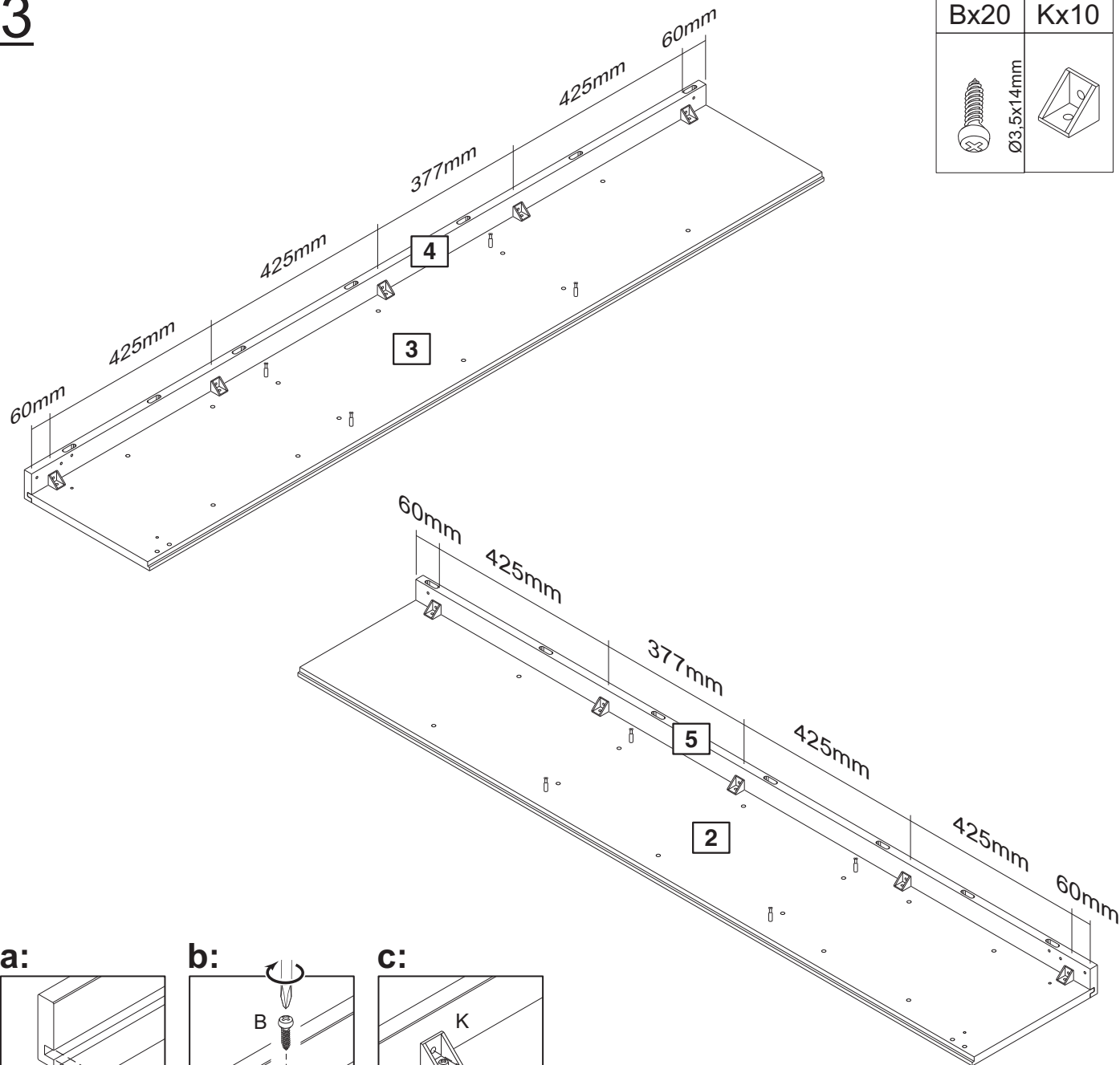
1


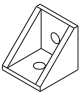


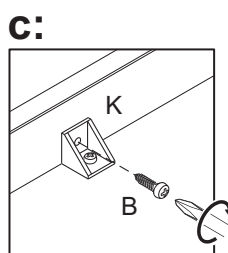
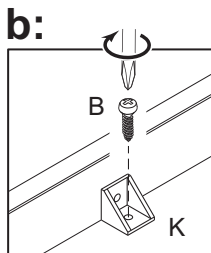
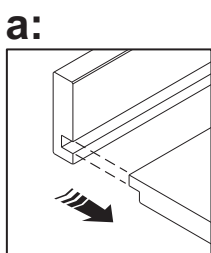
2



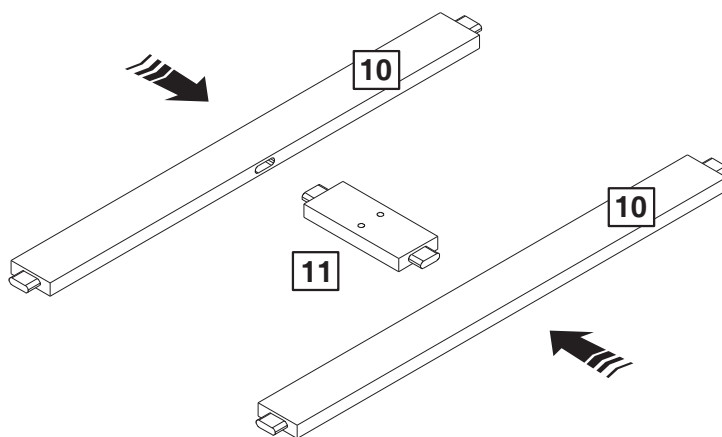
# 3



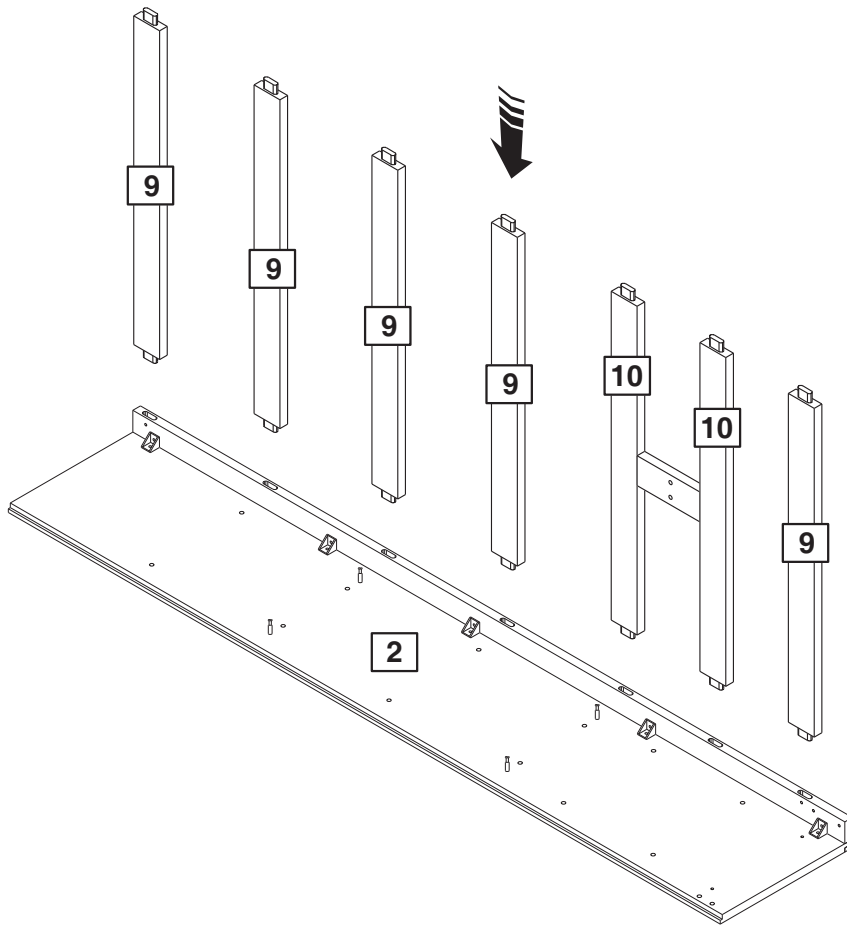
Bx20	Kx10
	
Ø3.5x14mm	



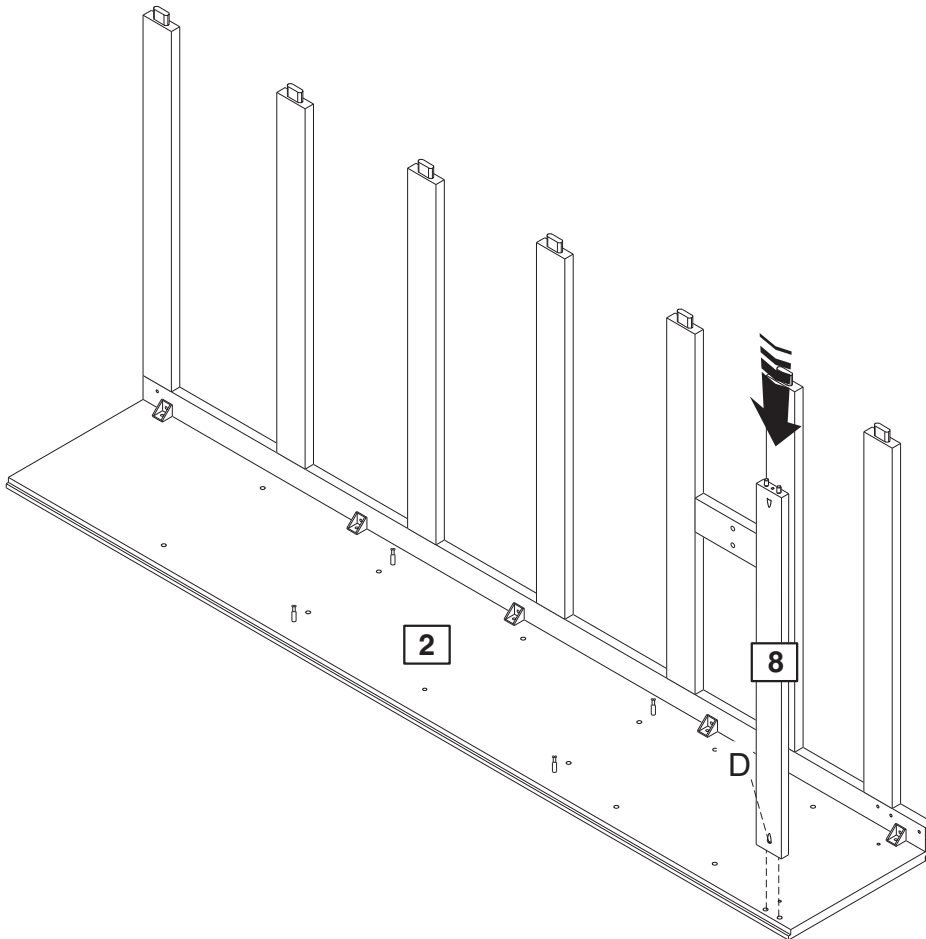
# 4



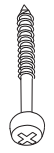
5



6



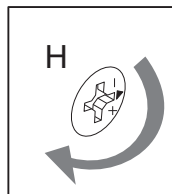
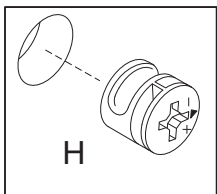
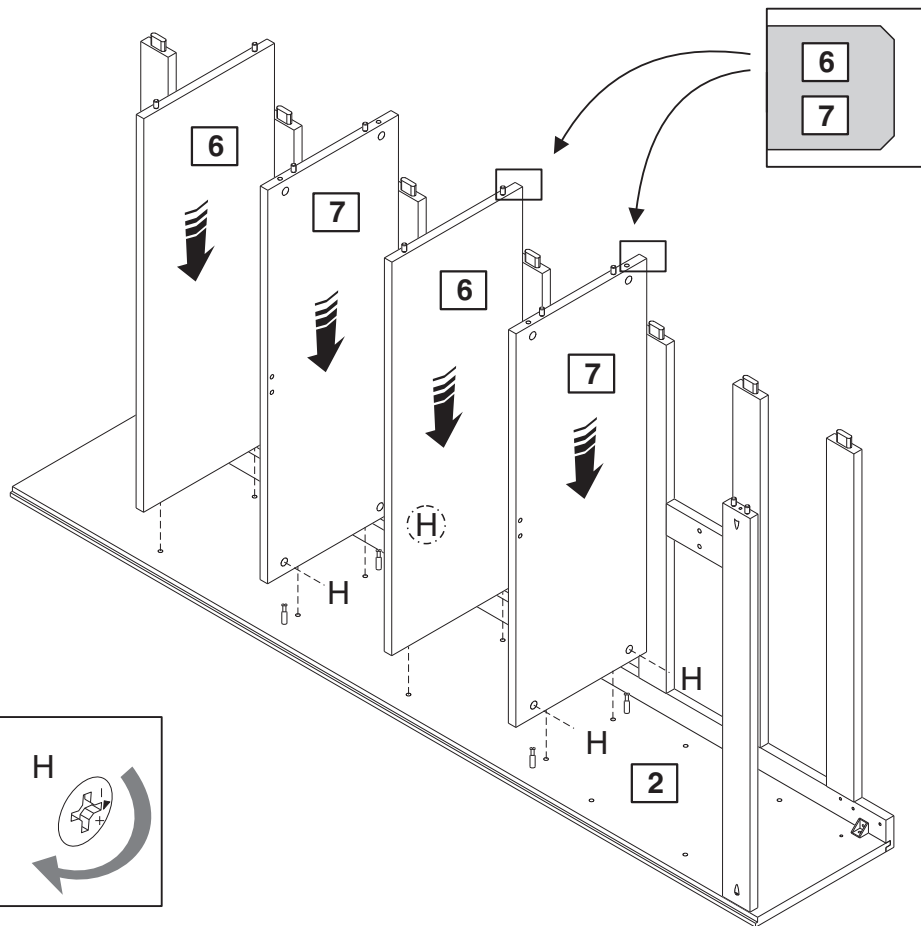
Dx1



Ø4,0x35mm

# 7

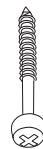
Hx4



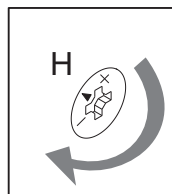
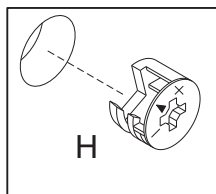
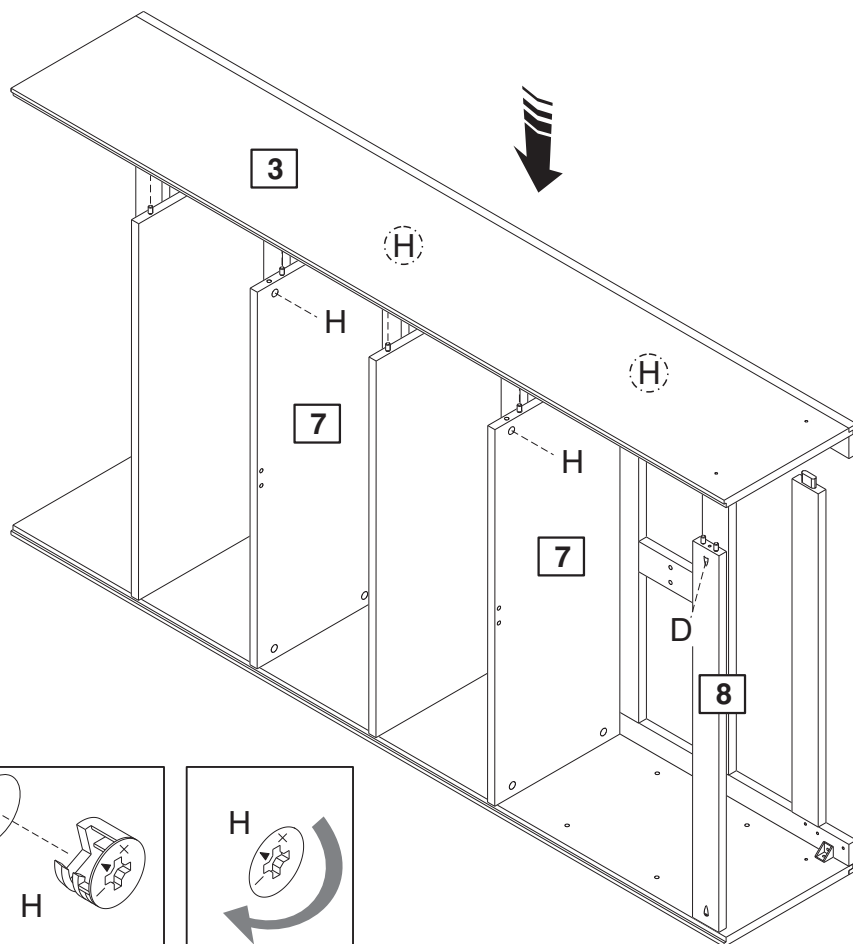
# 8

Dx1



Hx4

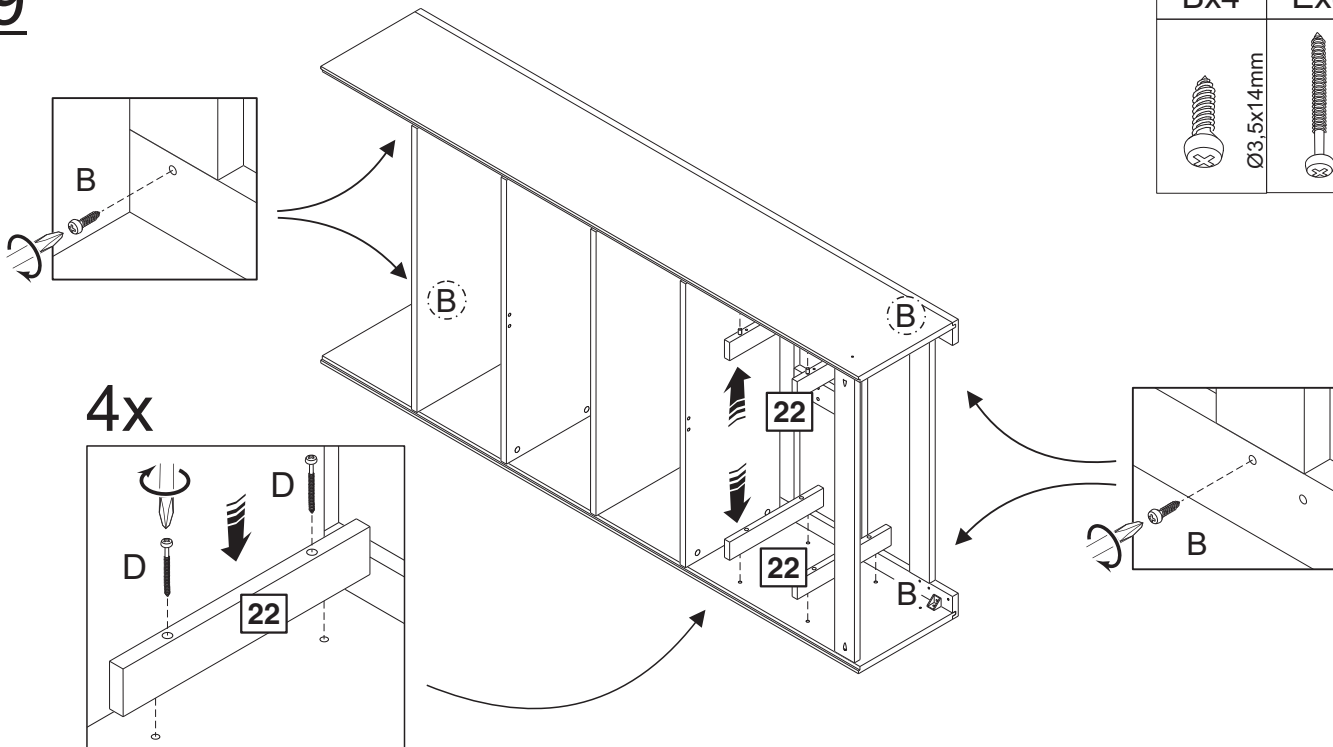


Ø4,0x35mm




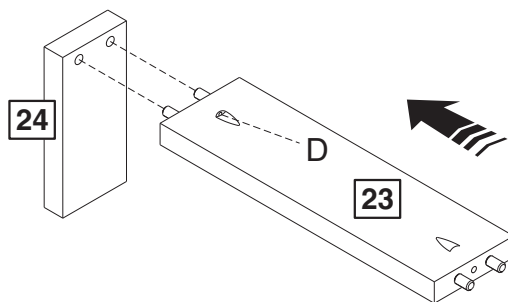
9

Bx4	Ex8
	
Ø3,5x14mm	Ø4,5x50mm




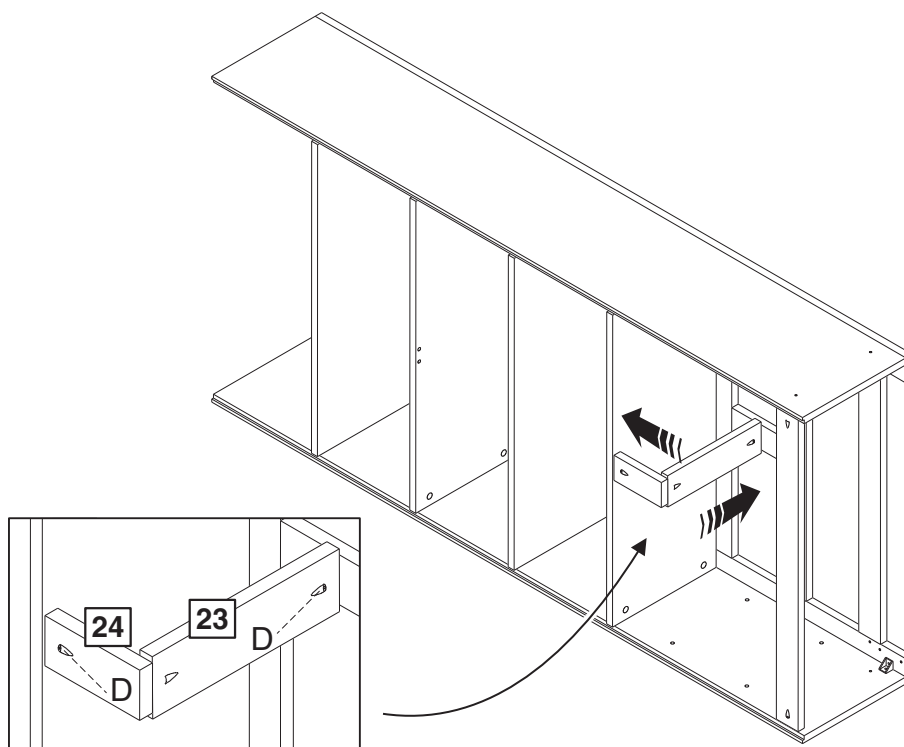
10

Dx1

Ø4,0x35mm



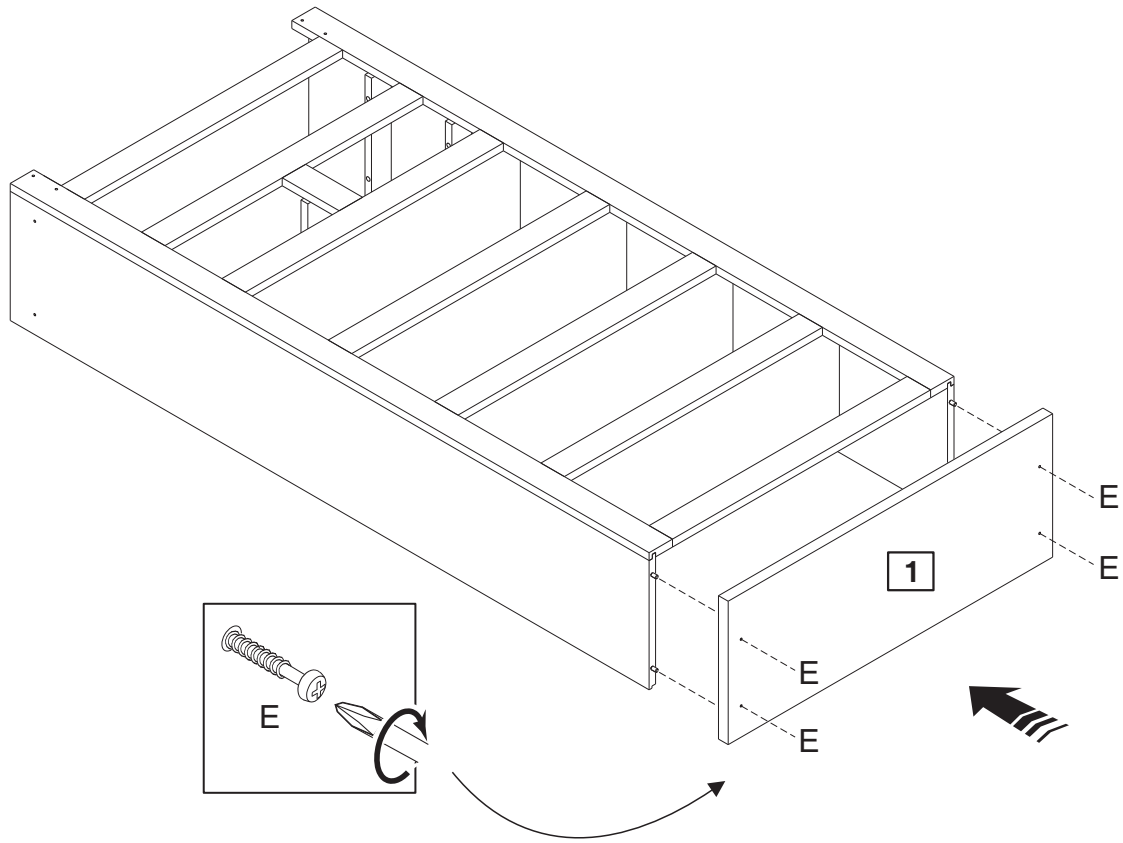
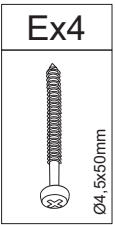
11

Dx2

Ø4,0x35mm

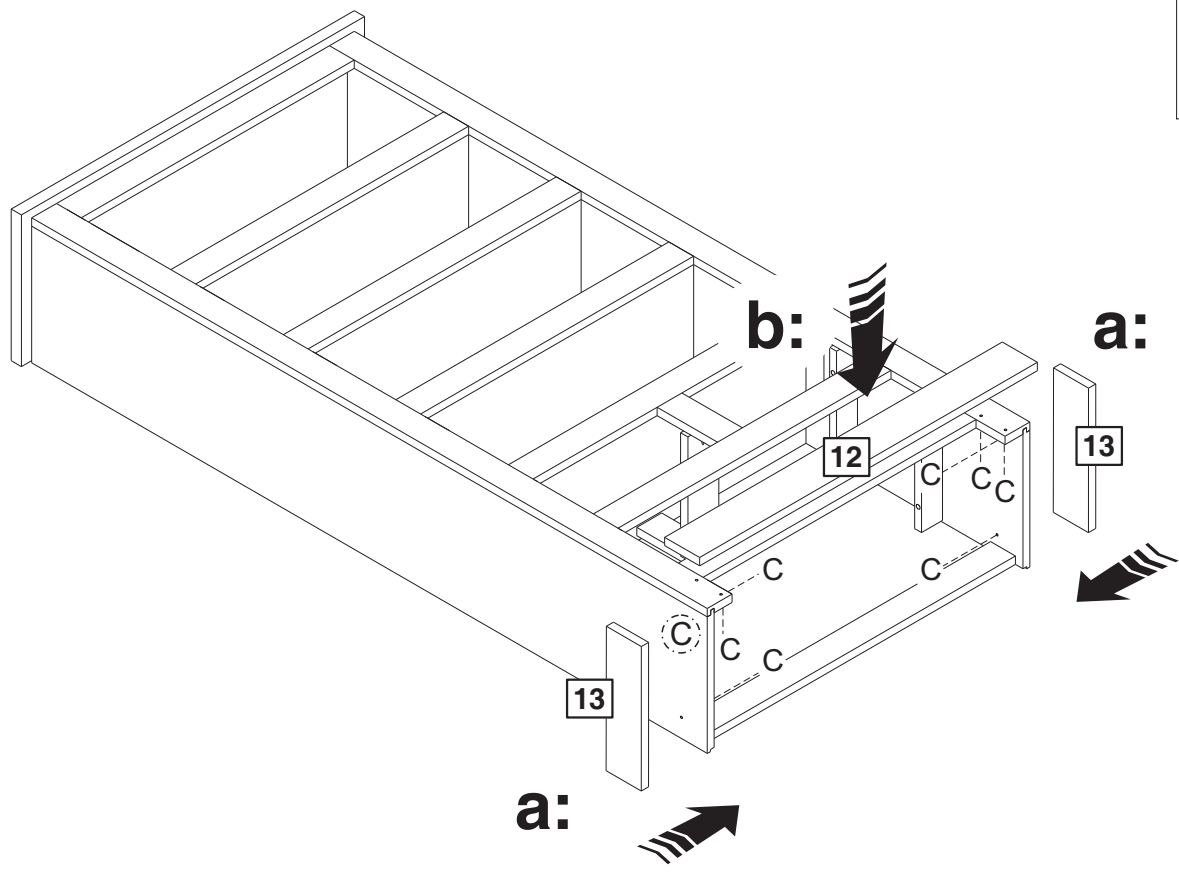
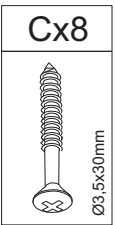




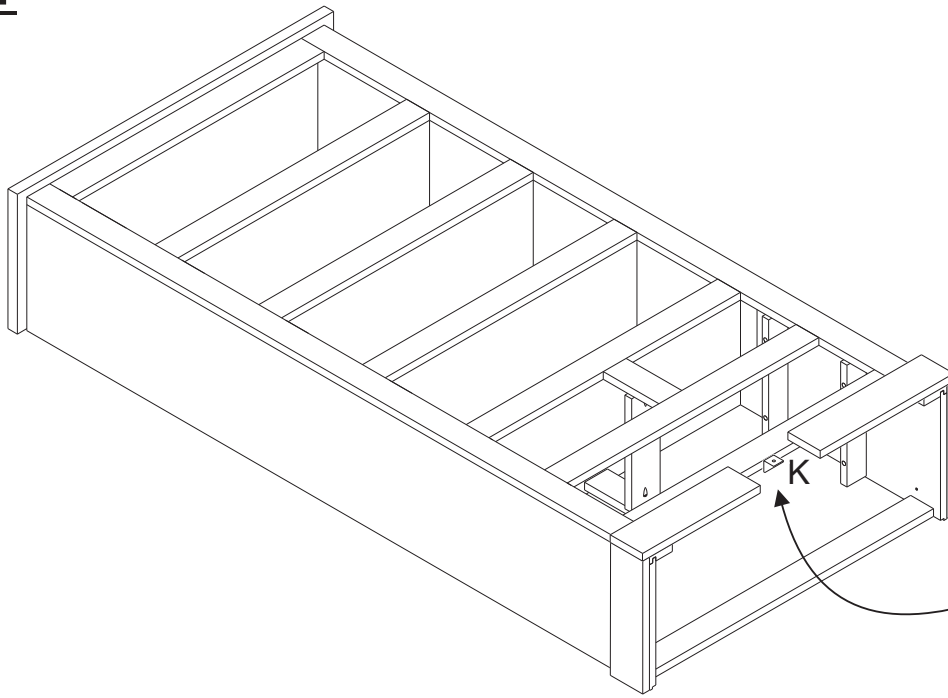
12


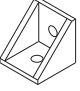


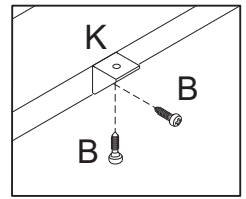
13



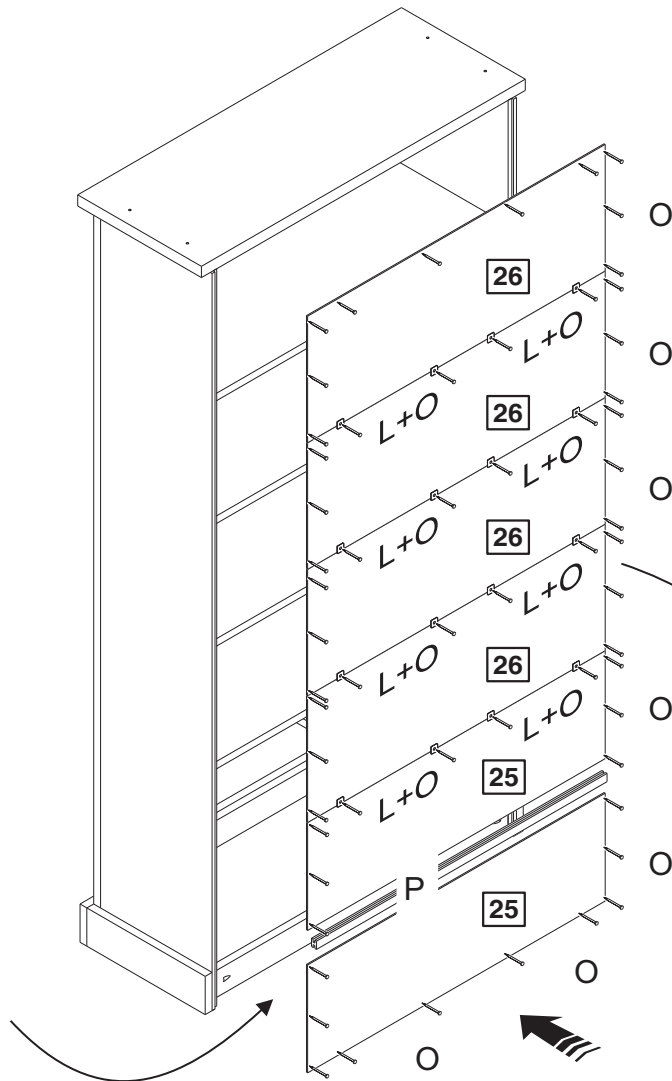
# 14






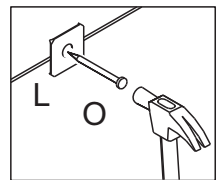
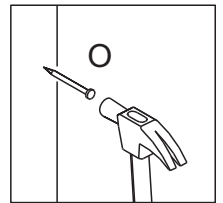
Bx2	Kx1
	
Ø3.5x14mm	



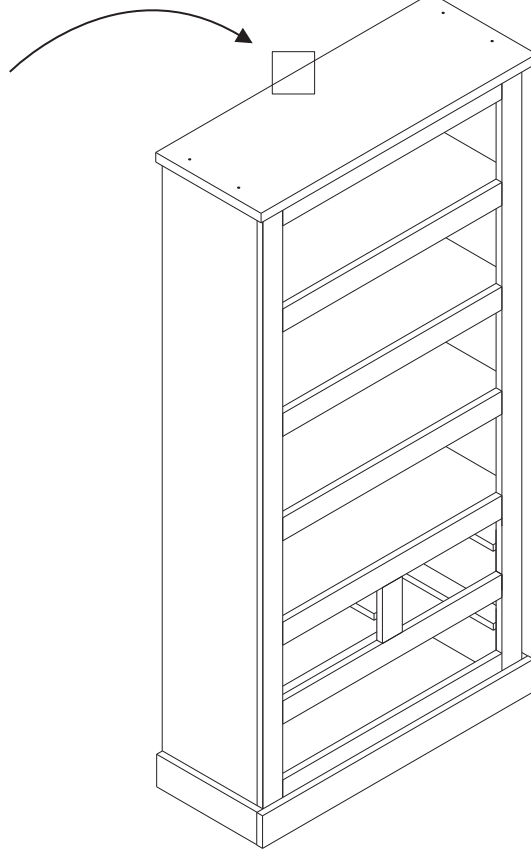
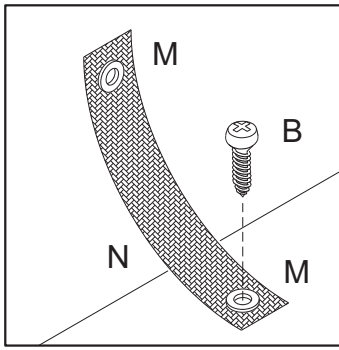
# 15






Ox54	Px1	Lx16
		

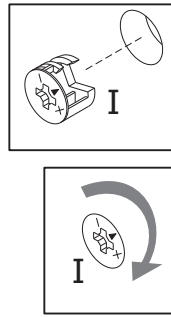
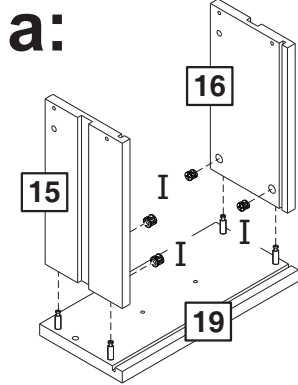


# 16

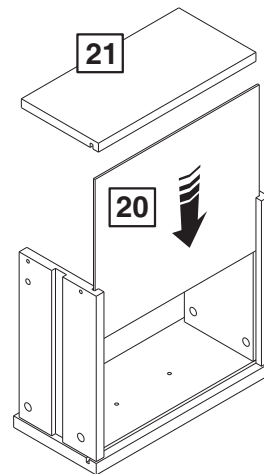






Bx1	Mx2	Nx1
 Ø3.5x14mm		

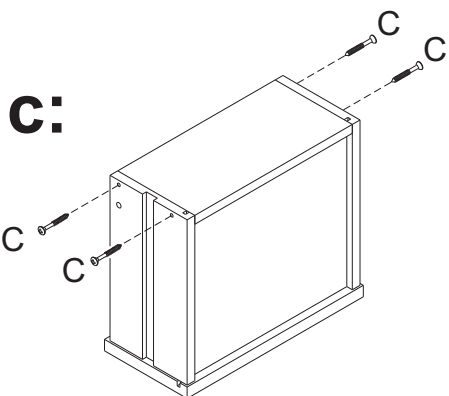
# 17



**b:**

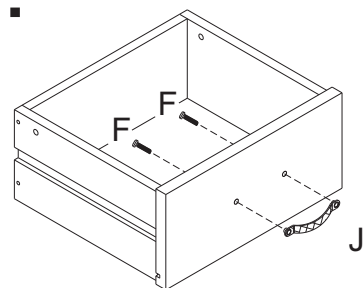


Cx8	Fx4
 Ø3.5x30mm	 ØM4x16mm
Ix8	Jx2
	



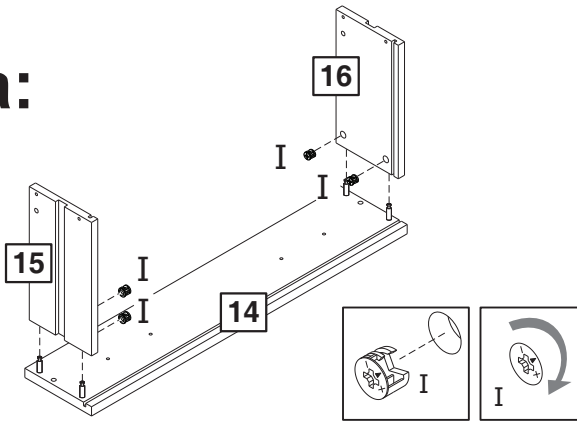
**2x**

**d:**

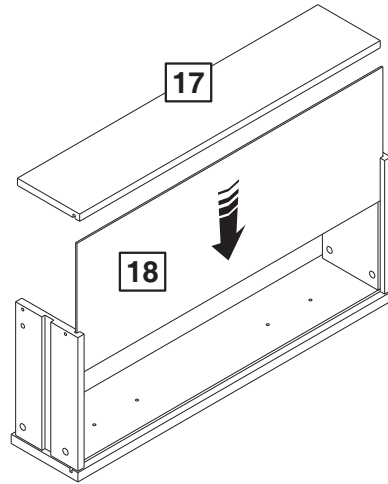


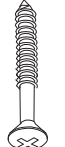



# 18

**a:**

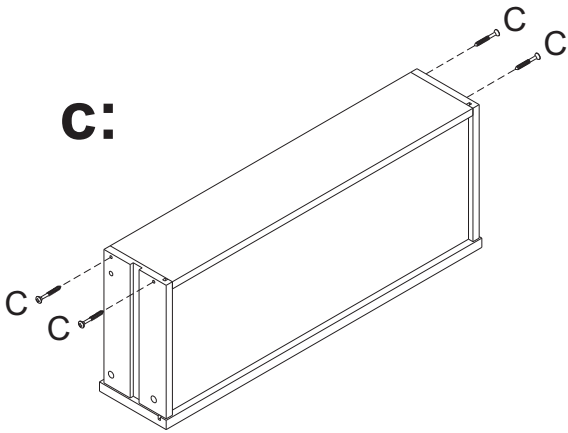


**b:**

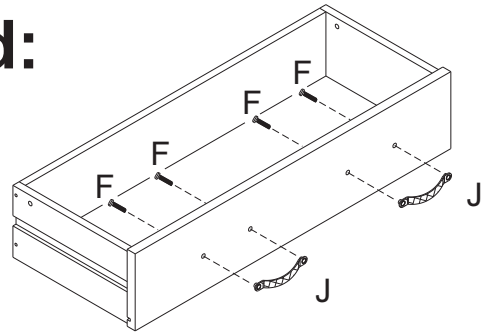


<b>Cx4</b>	<b>Fx4</b>
	
$\varnothing 3.5 \times 30 \text{mm}$	$\varnothing M4 \times 16 \text{mm}$
<b>Ix4</b>	<b>Jx2</b>
	

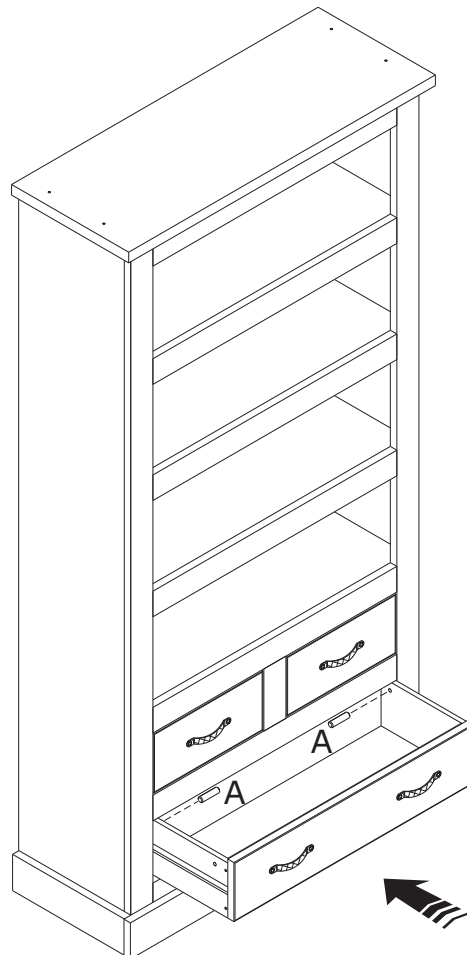
**c:**



**d:**



# 19



**Ax6**

