
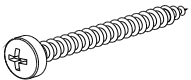
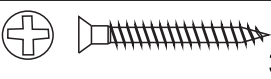

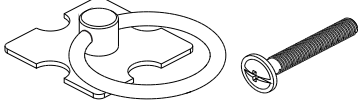


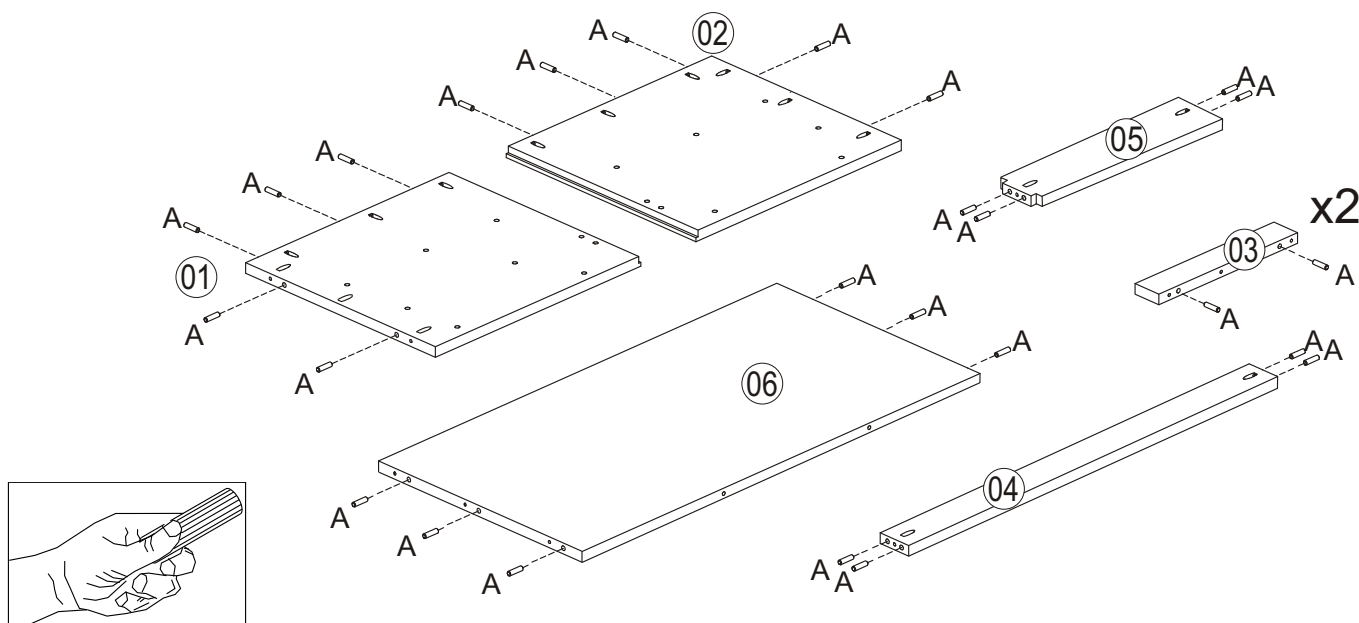
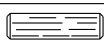


A		32
	8x25	
B		31
	3,5x30	
C		16
	3,0x30	

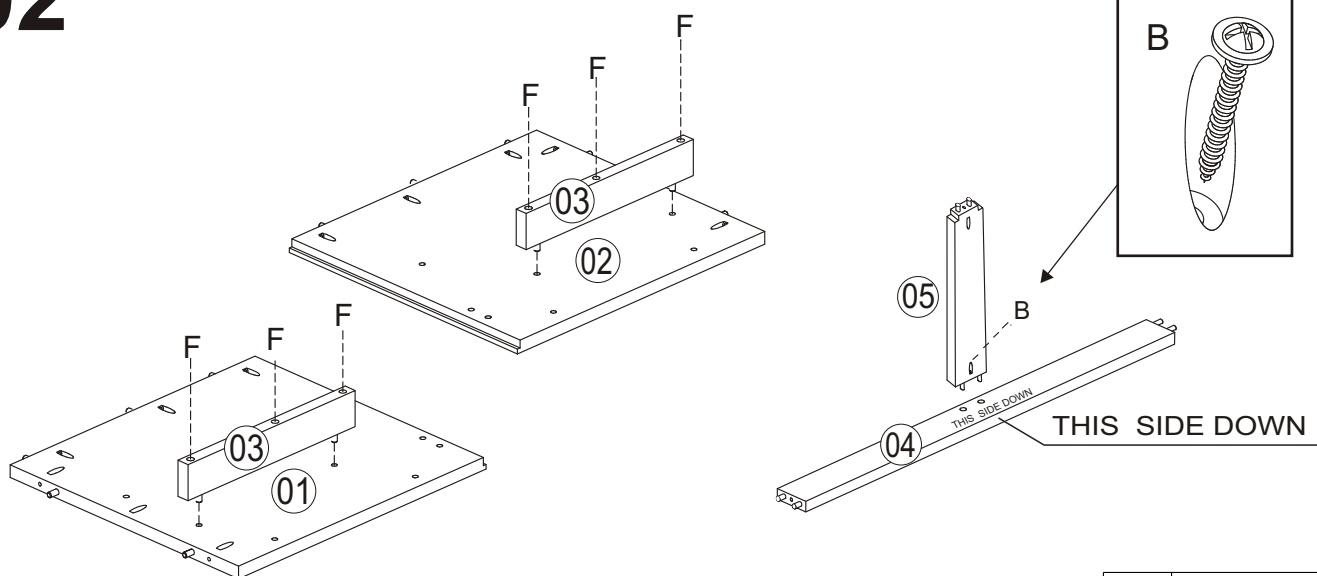
D		20
	10 x 10	
E		02
F		06
	4,0 x 40	
G		04

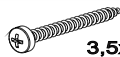
01

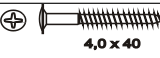


A		28
	ø8x25	

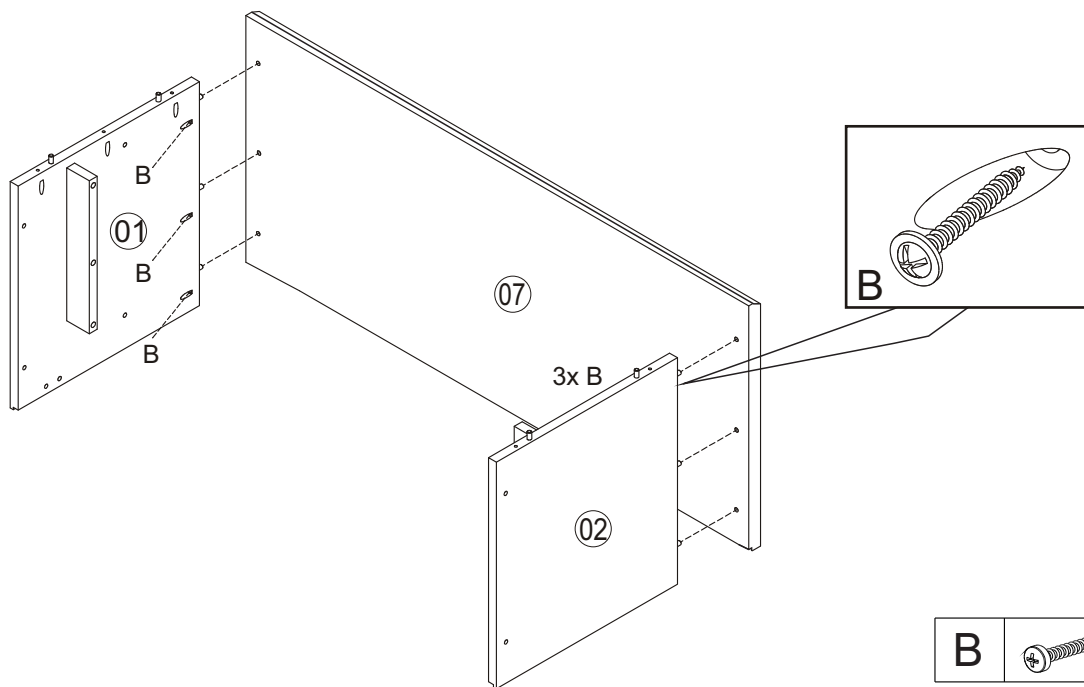
02



B		01
	3,5x30	

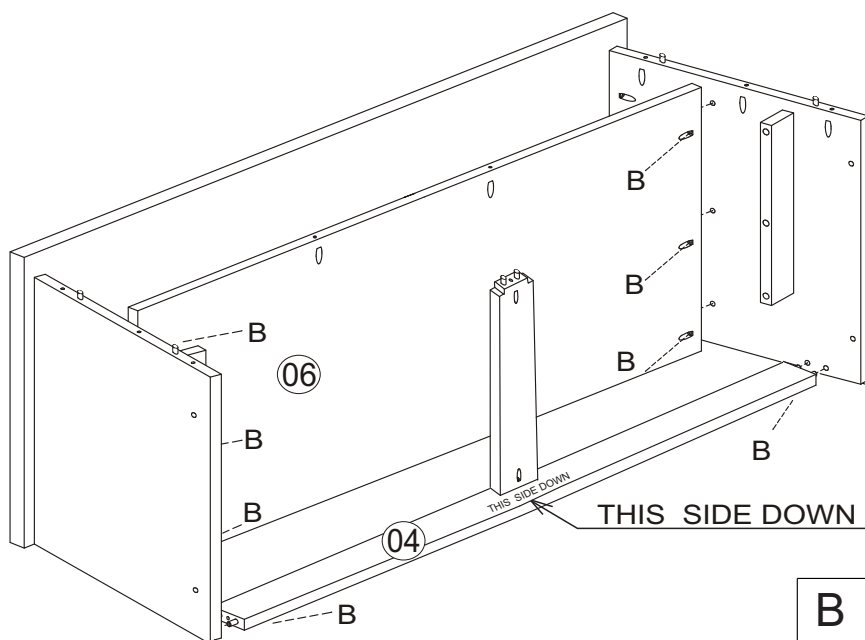
F		06
	4,0 x 40	


03



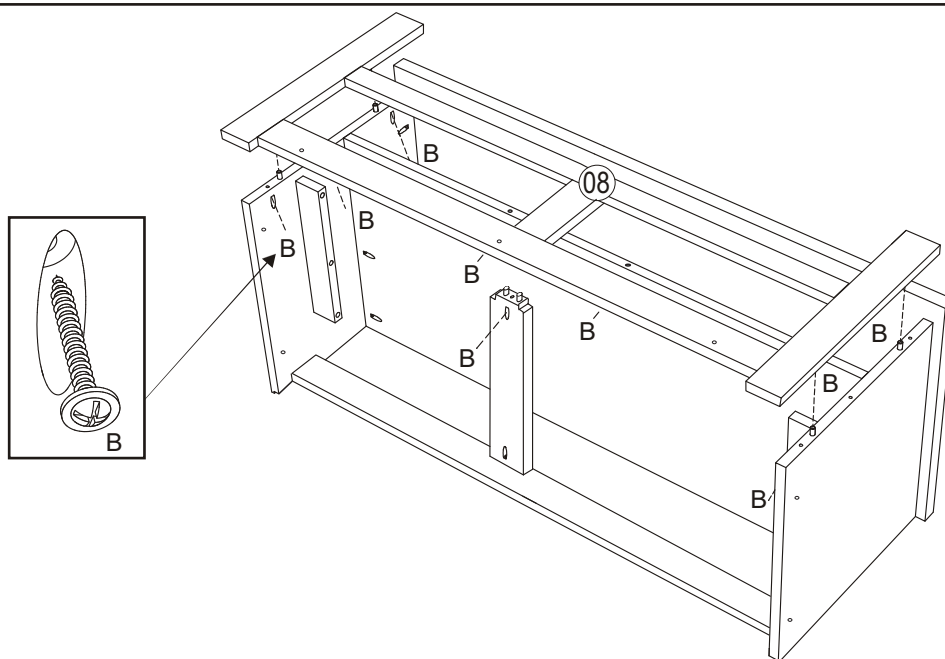
B		06
---	---	----

04



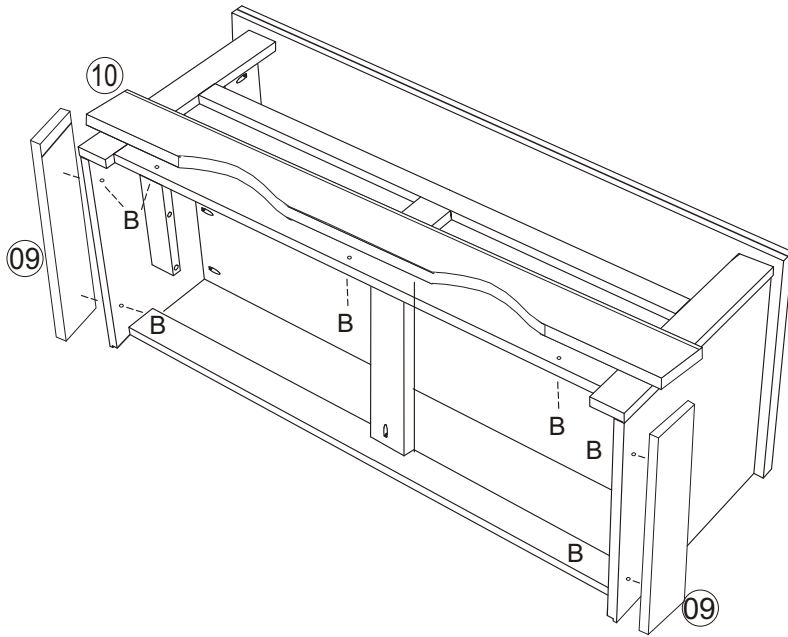
B		08
---	---	----

05



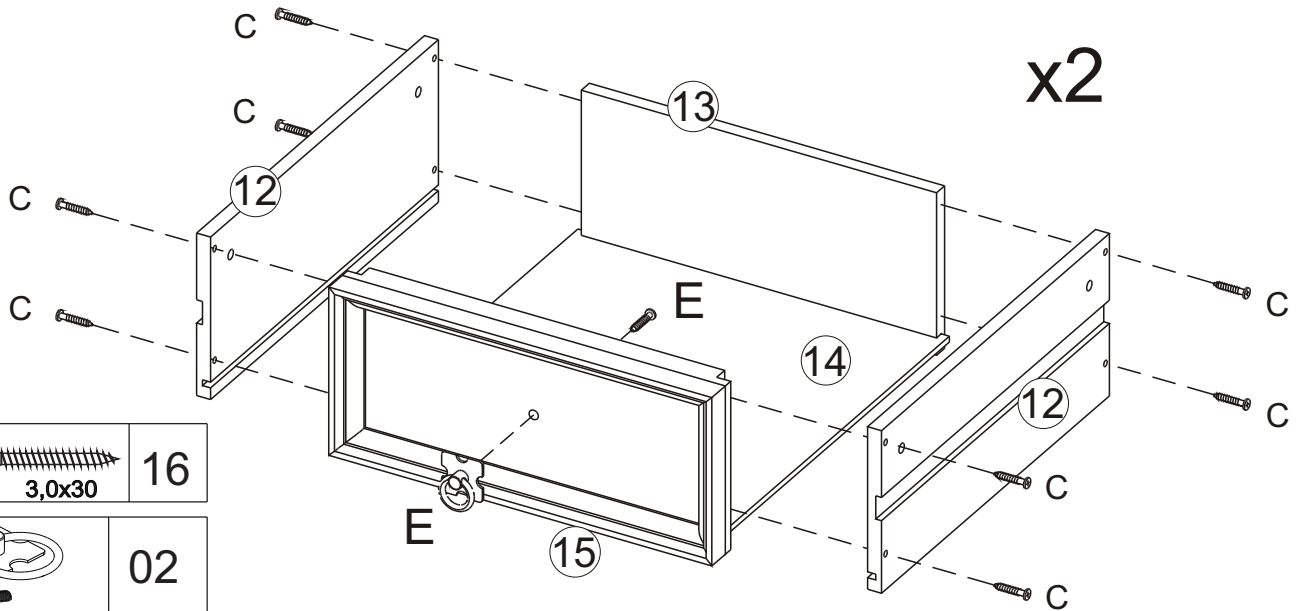
B		09
---	---	----


06

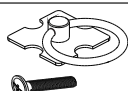


B		07
3,5x30		

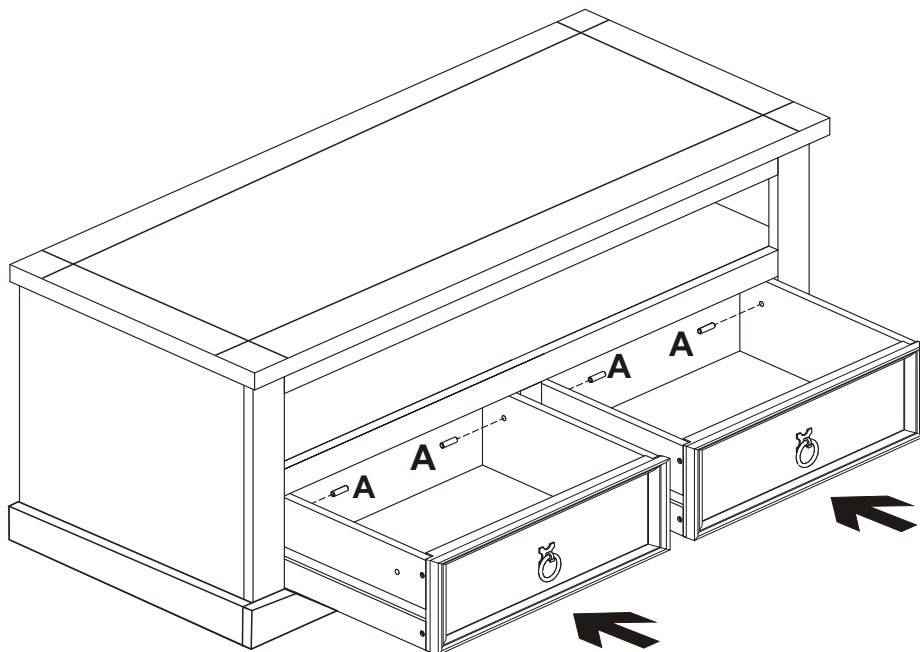
07

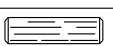


C		16
3,0x30		

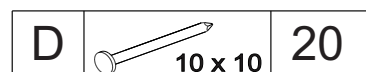
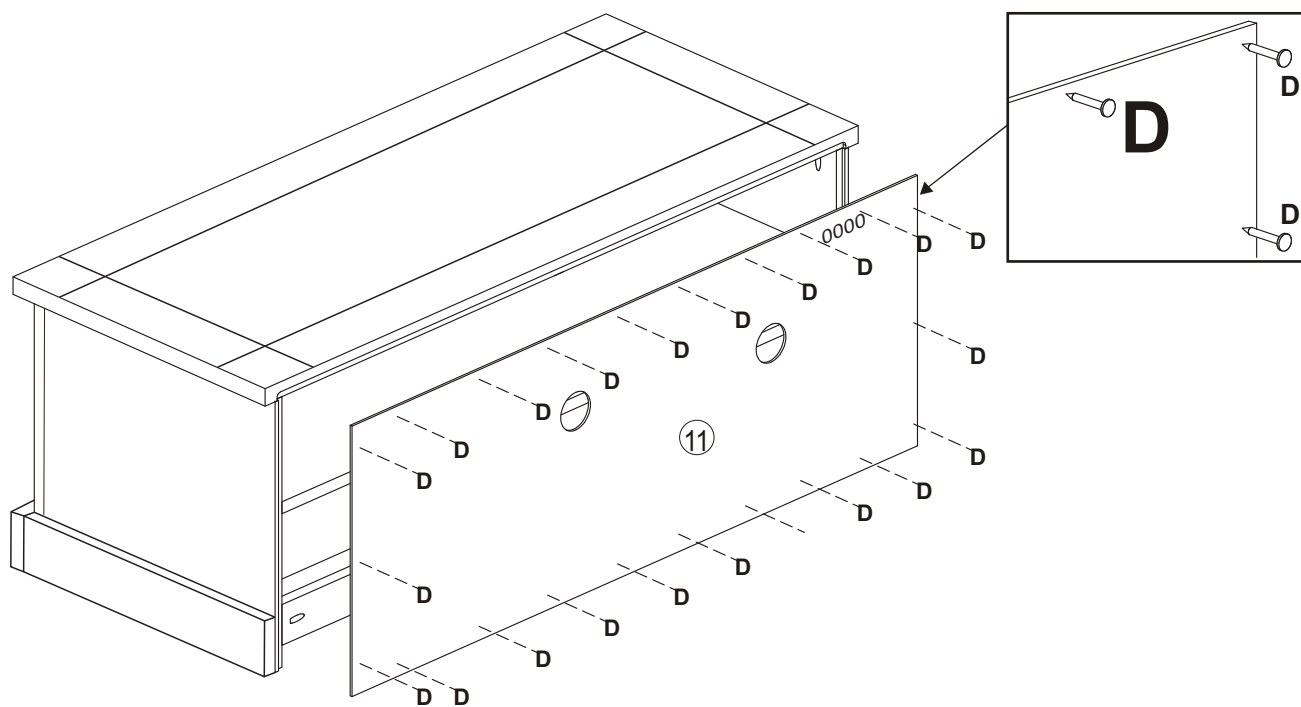
E		02
---	---	----

08



A		04
ø8x25		

09



10

